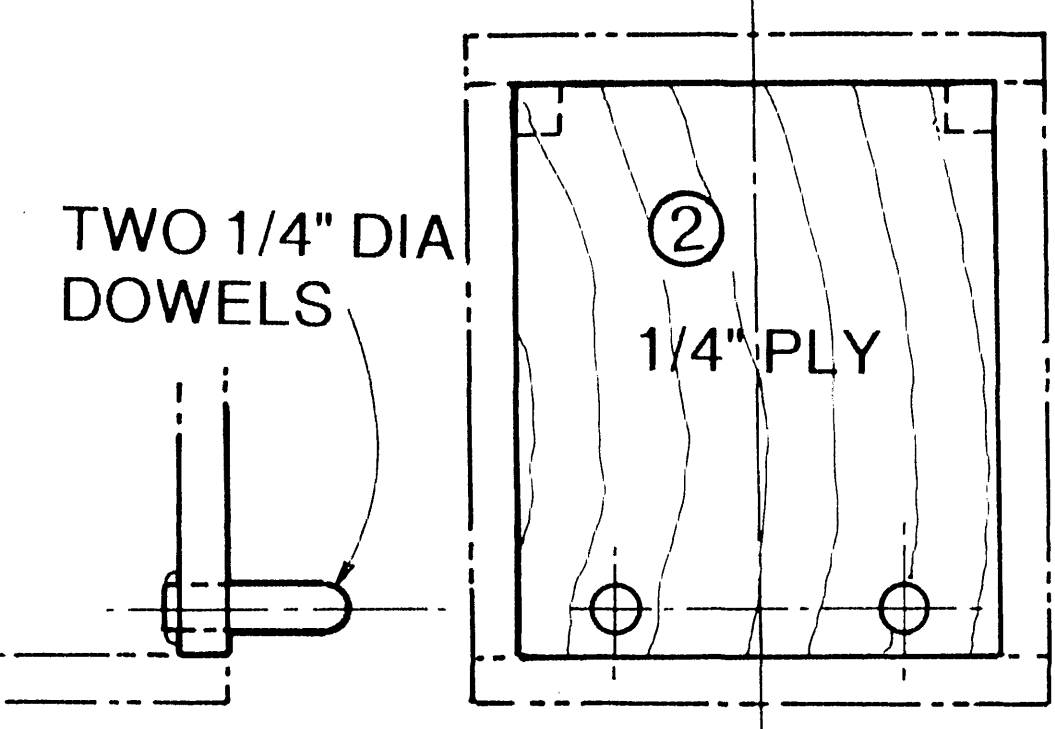
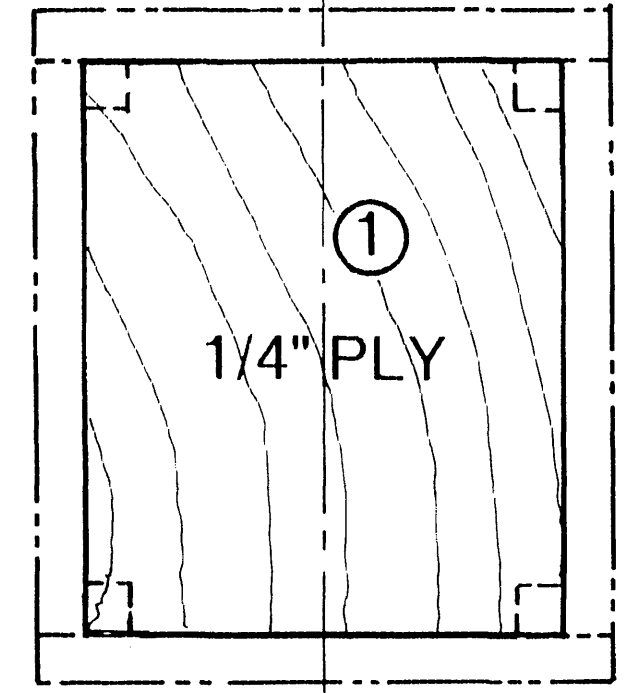
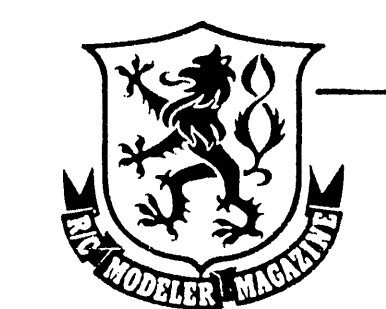


MAIN GEARSTRUTS
5/32" DIA STEEL ROD



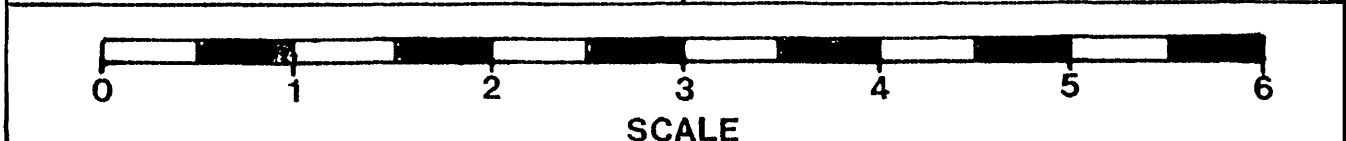
UNLESS OTHERWISE MENTIONED,
ALL WOOD IS Balsa

▼ = SHOWS THE EDGE OF THE
1/4" SHEET FUSELAGE SIDES



**SIMITAR
ADVANTAGE**

DESIGNED BY: BILL EVANS INKED BY: GUS MORFIS



© RCM ALL COMMERCIAL RIGHTS RESERVED