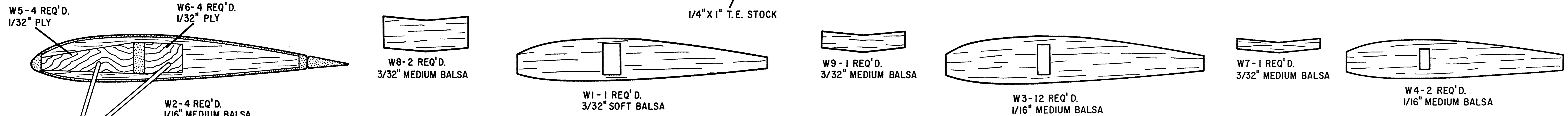
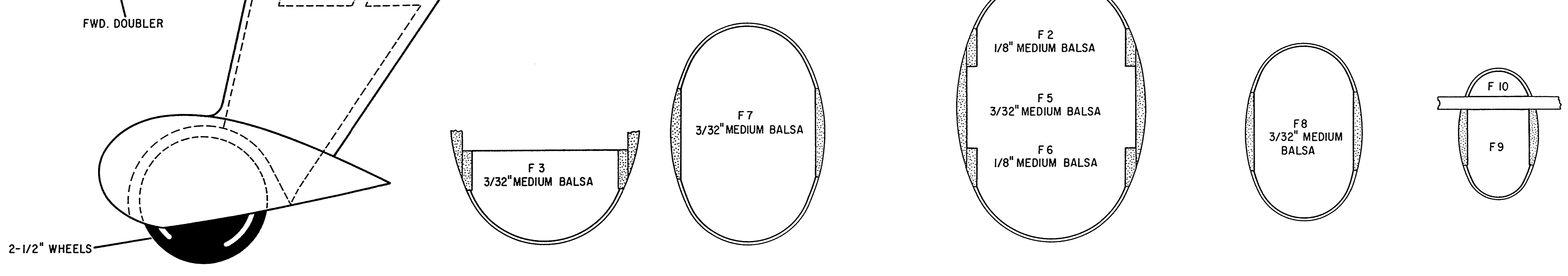
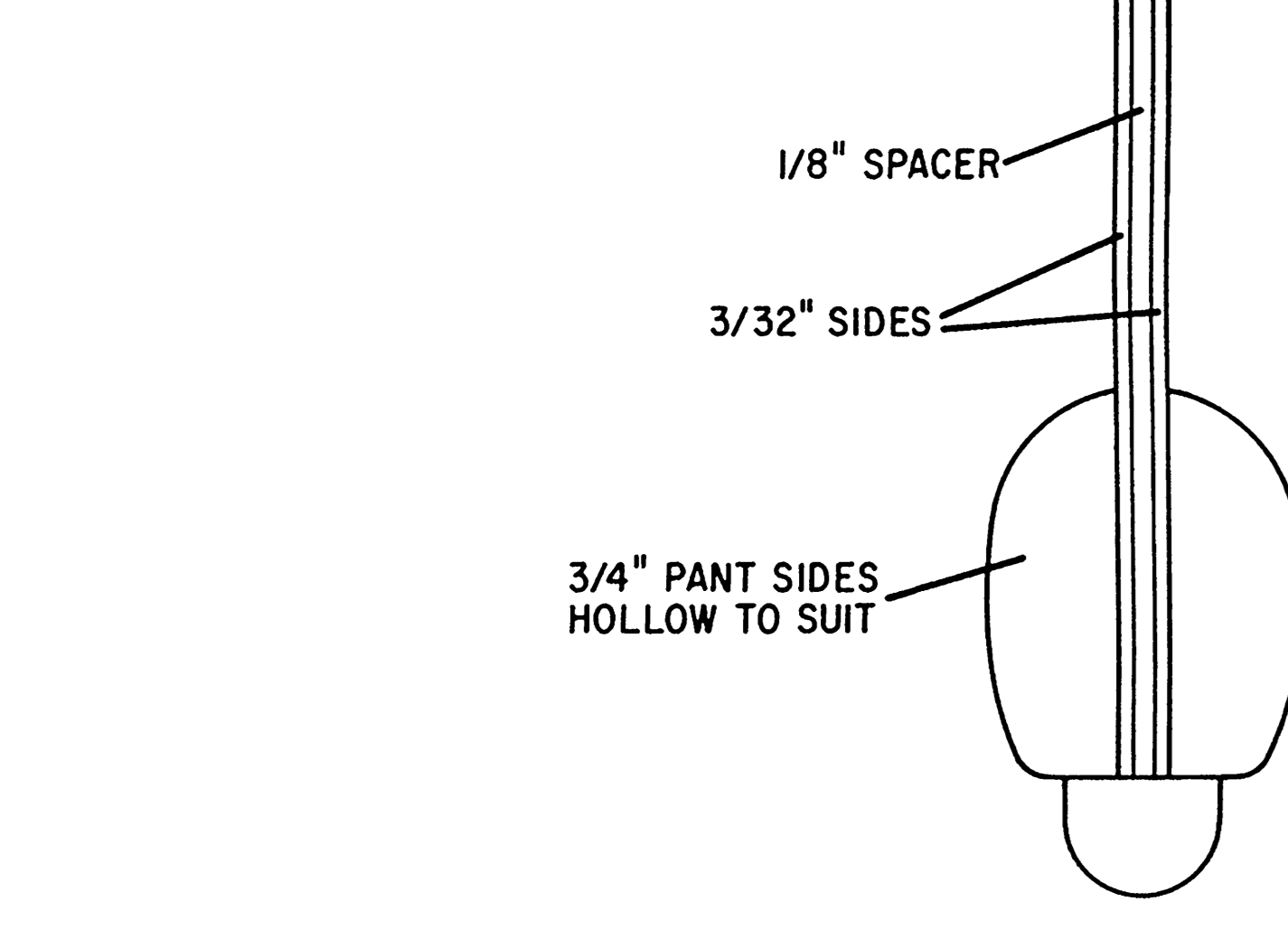
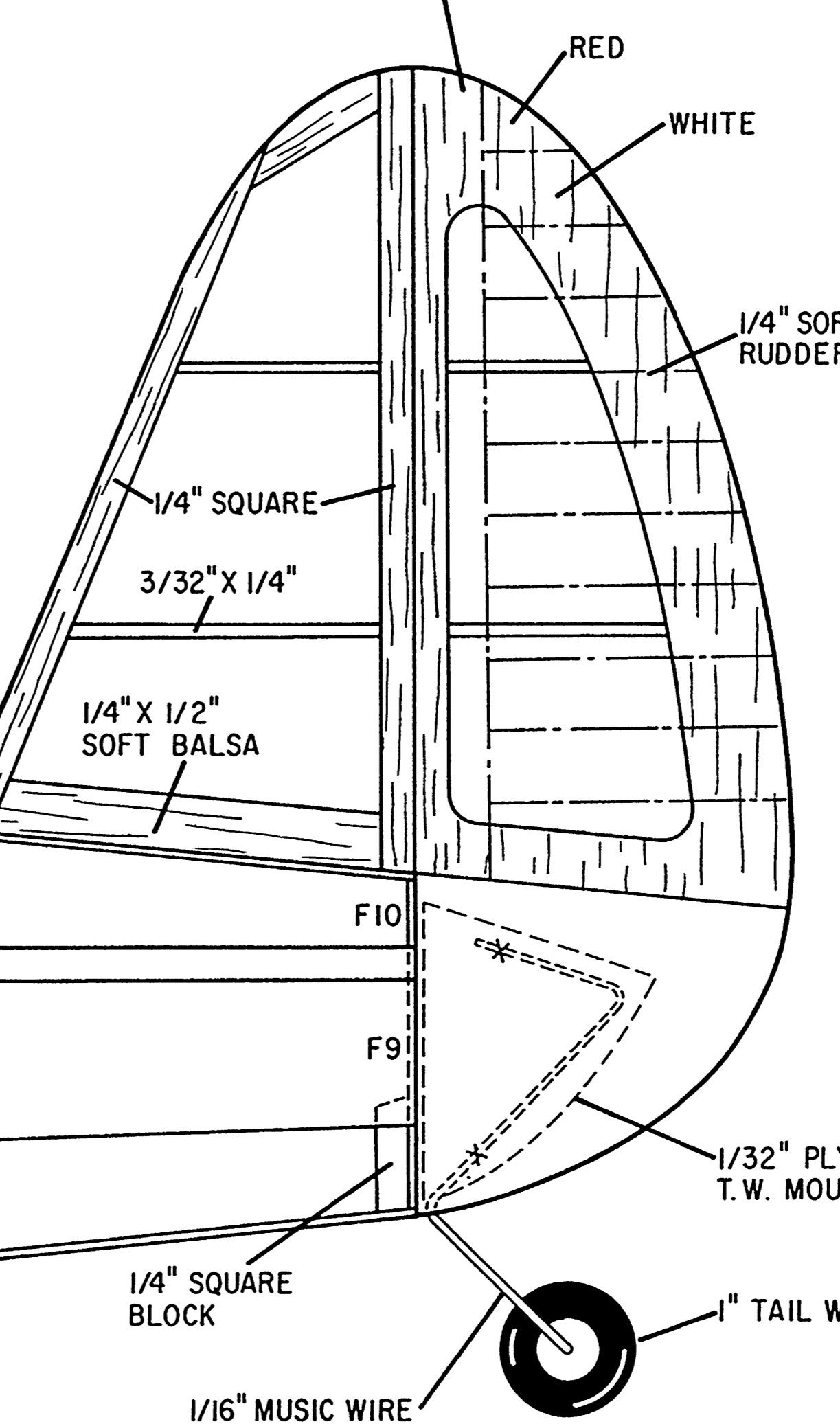
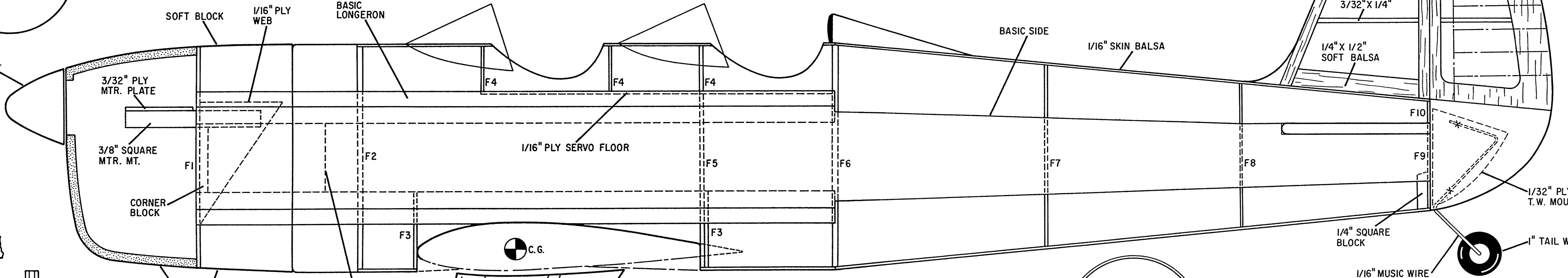
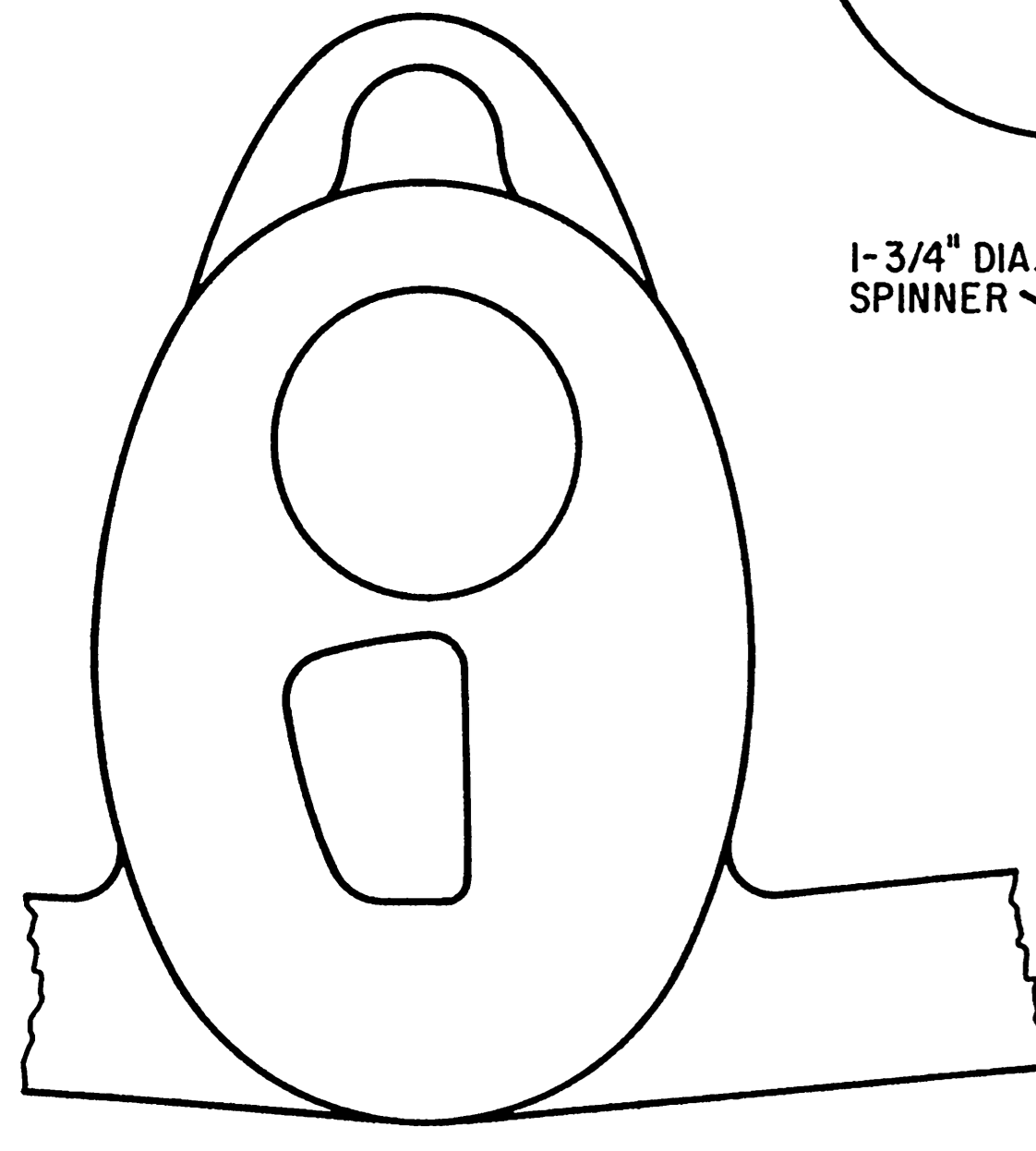
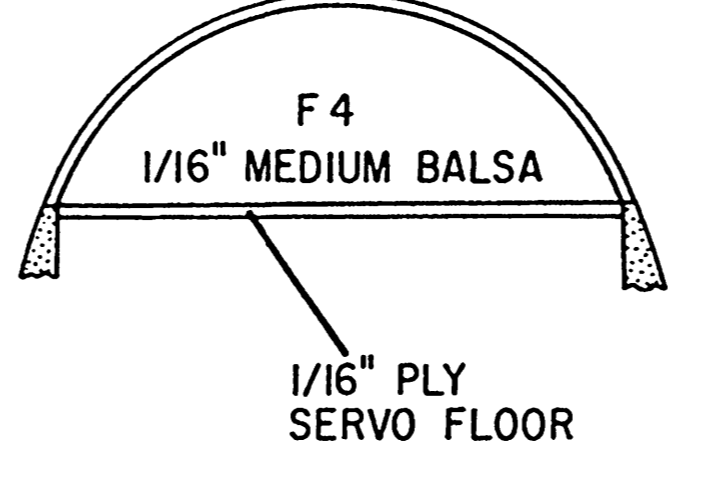
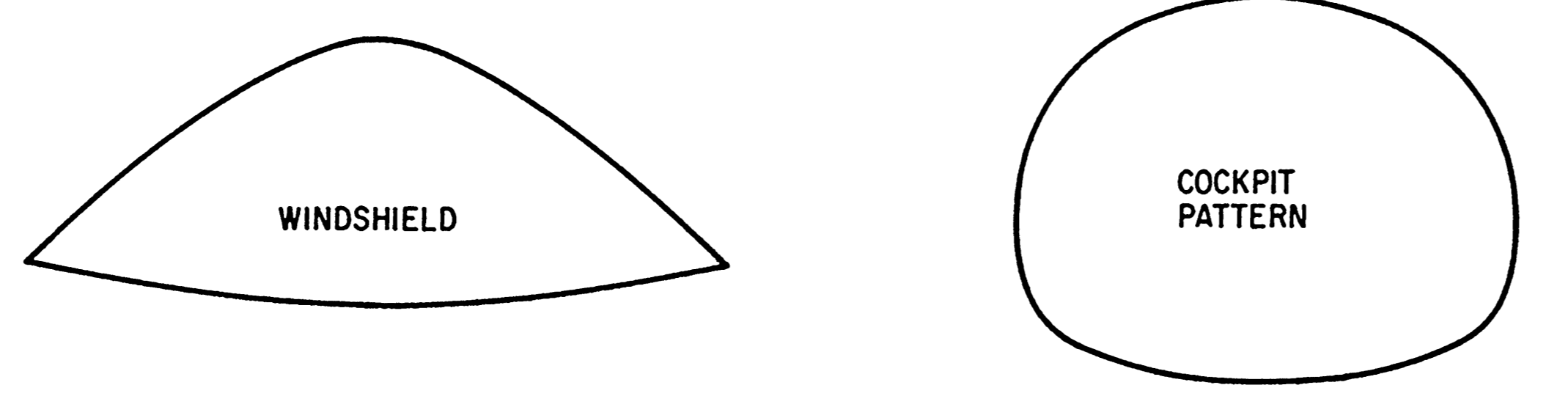
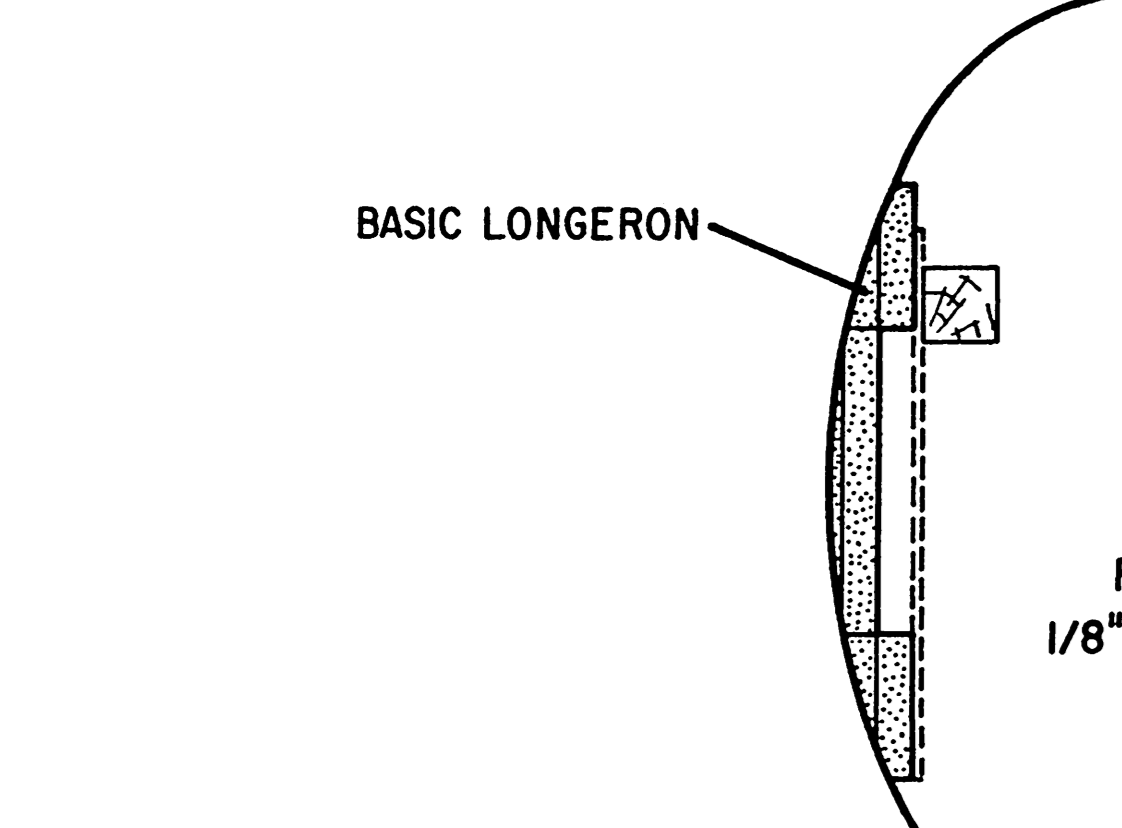
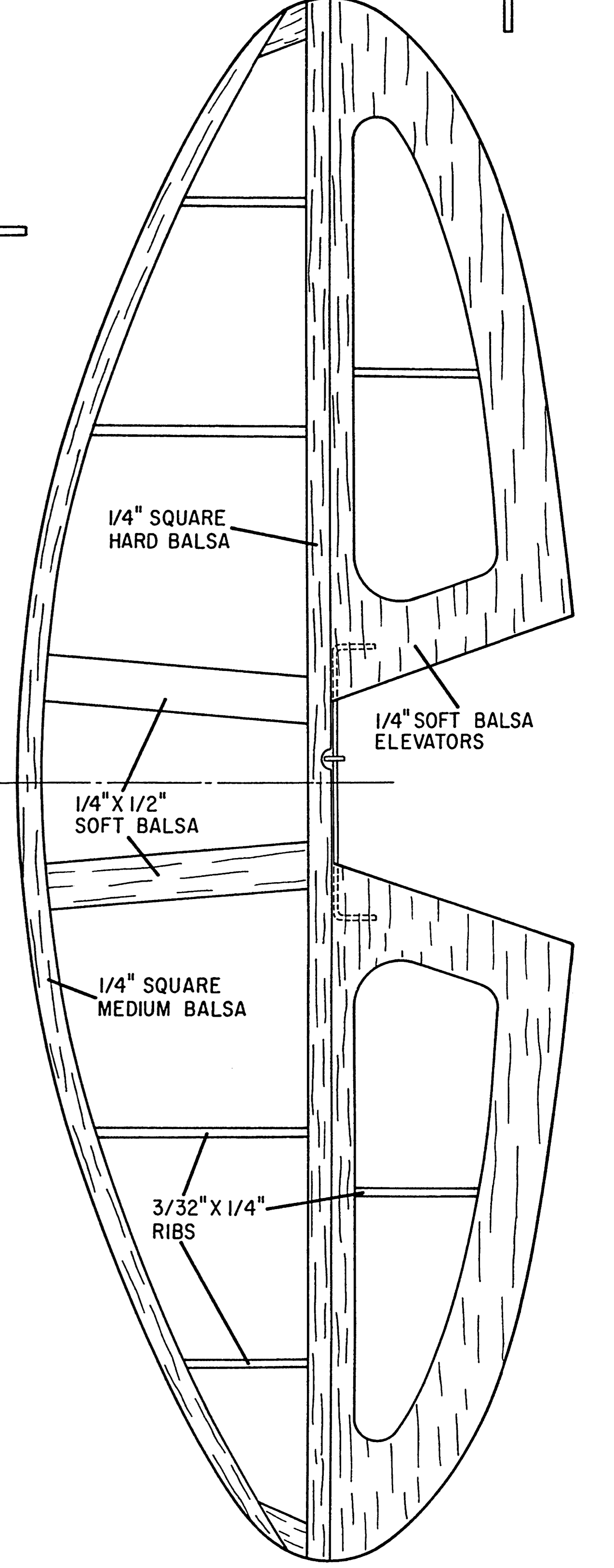
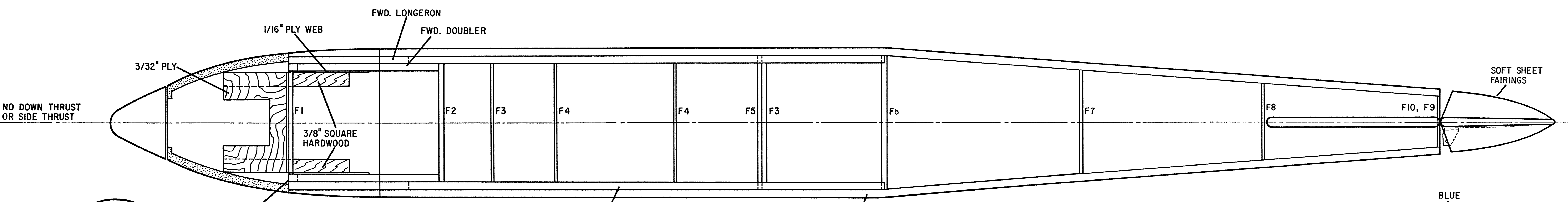


DIHEDRAL: 2-3/16" EACH TIP

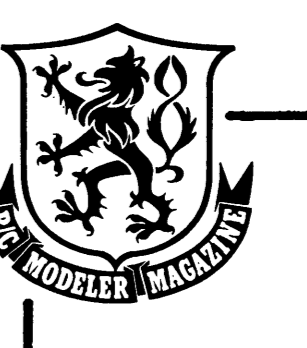


FWD. STRUT 3/32" MUSIC WIRE

AFT. STRUT 3/32" MUSIC WIRE



SPAN - 50 IN.
 AREA - 355 SQ. IN.
 WEIGHT - 43 TO 48 OZ.
 ENGINE - .15 TO .19



RYAN ST

DESIGNED AND DRAWN BY: DICK FISCHER INKED BY: GERARDO FLORES

