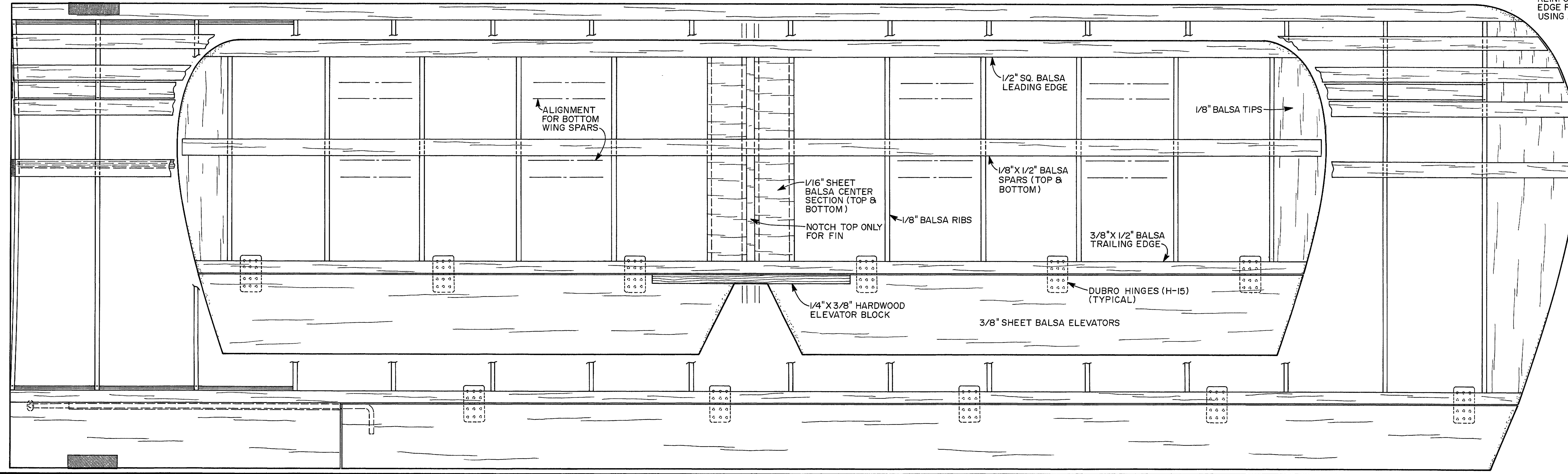
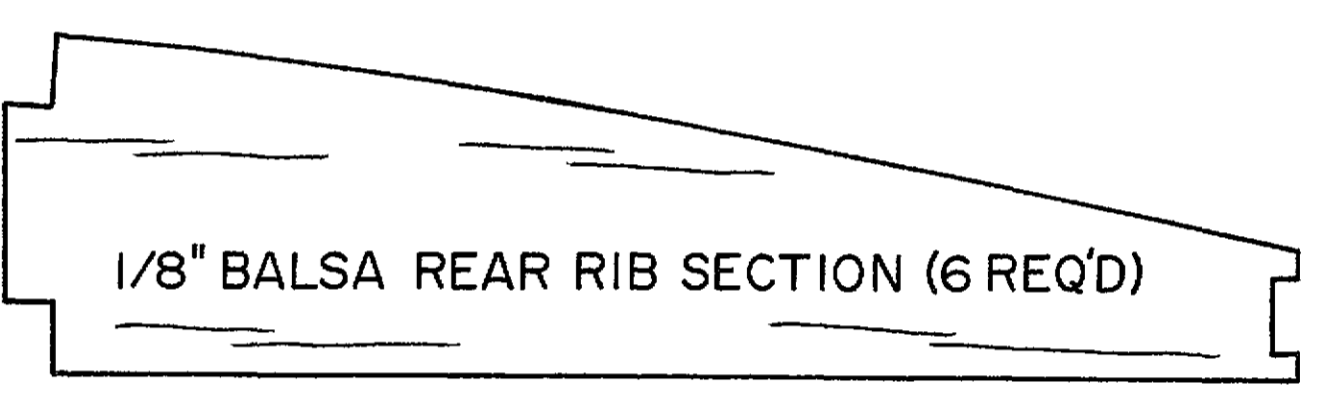
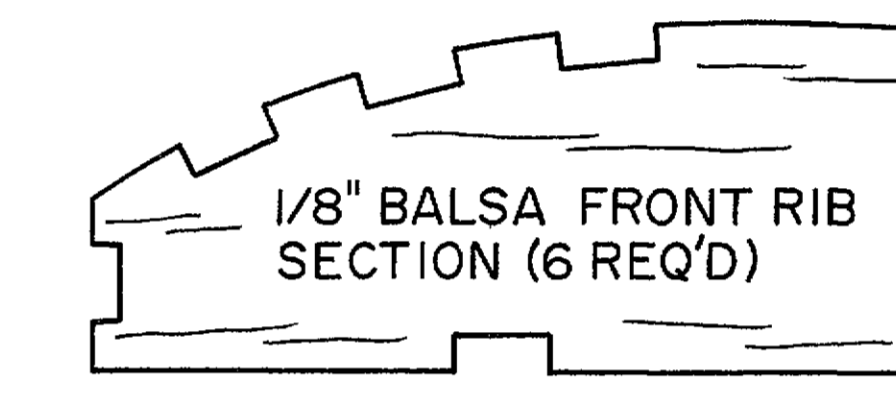
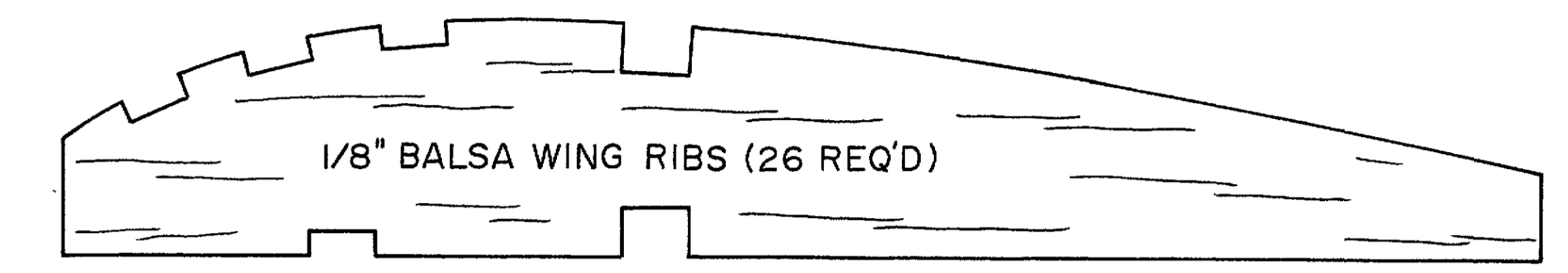
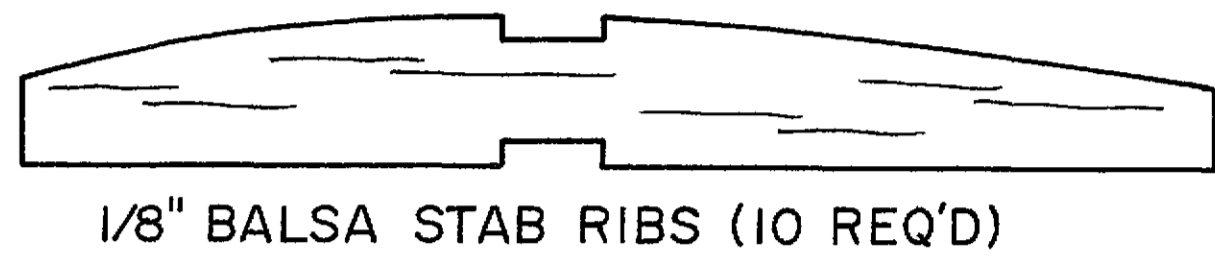
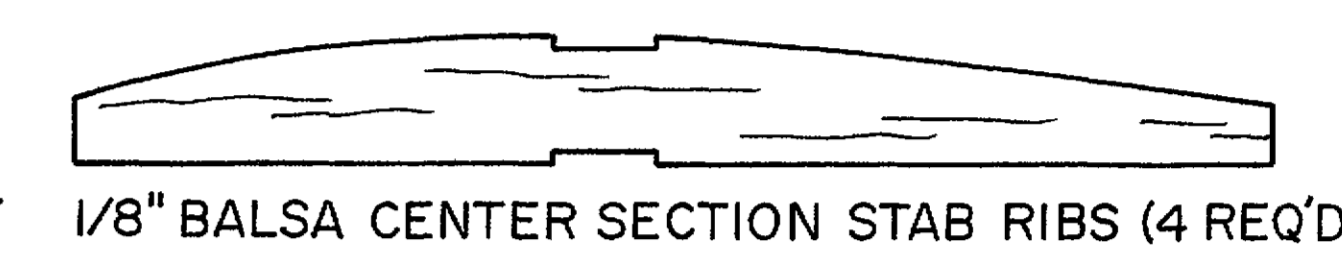
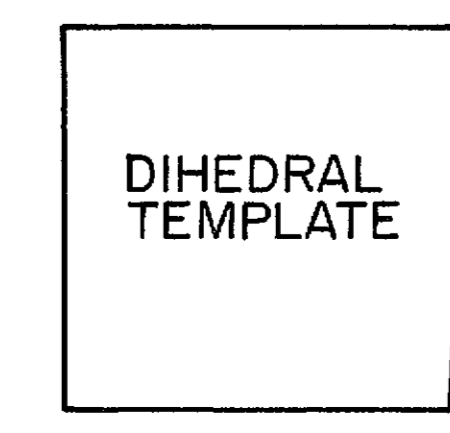
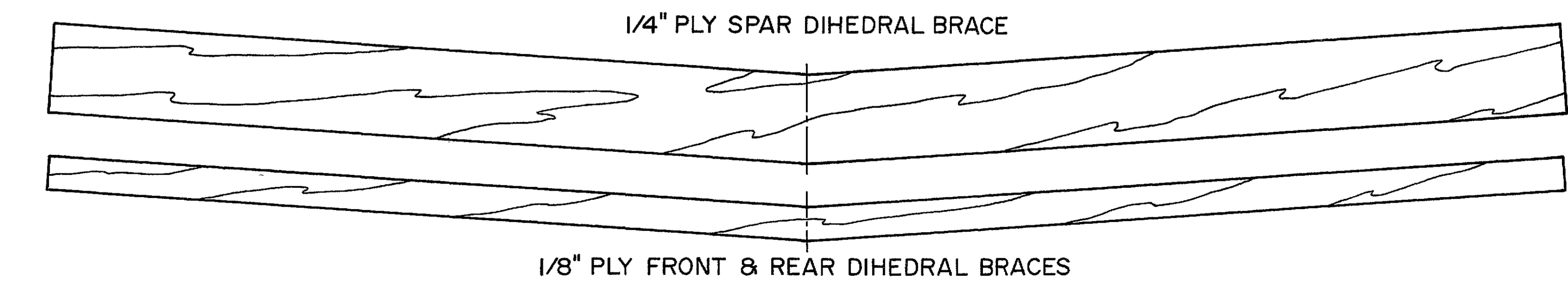
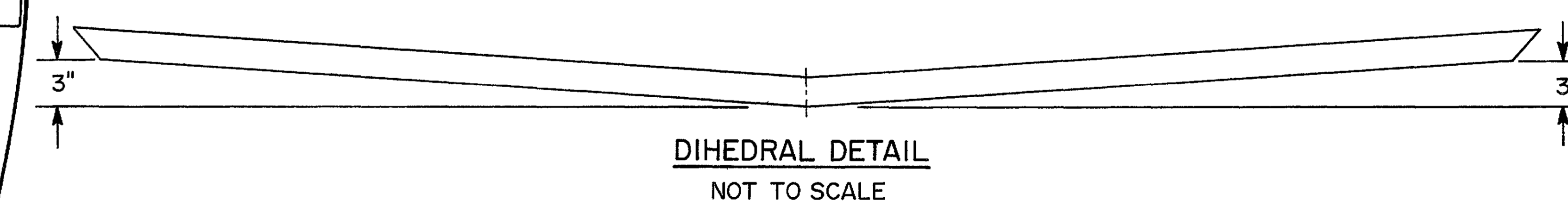
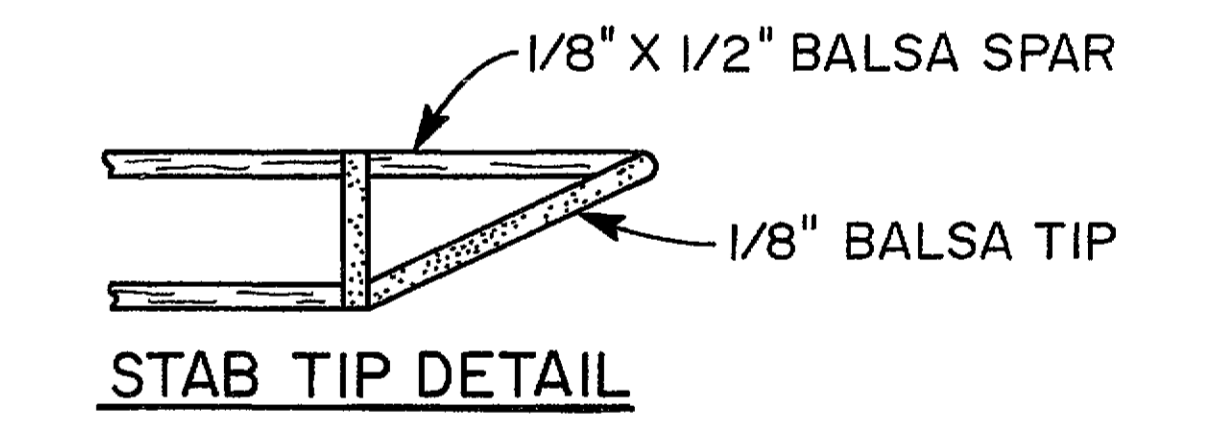
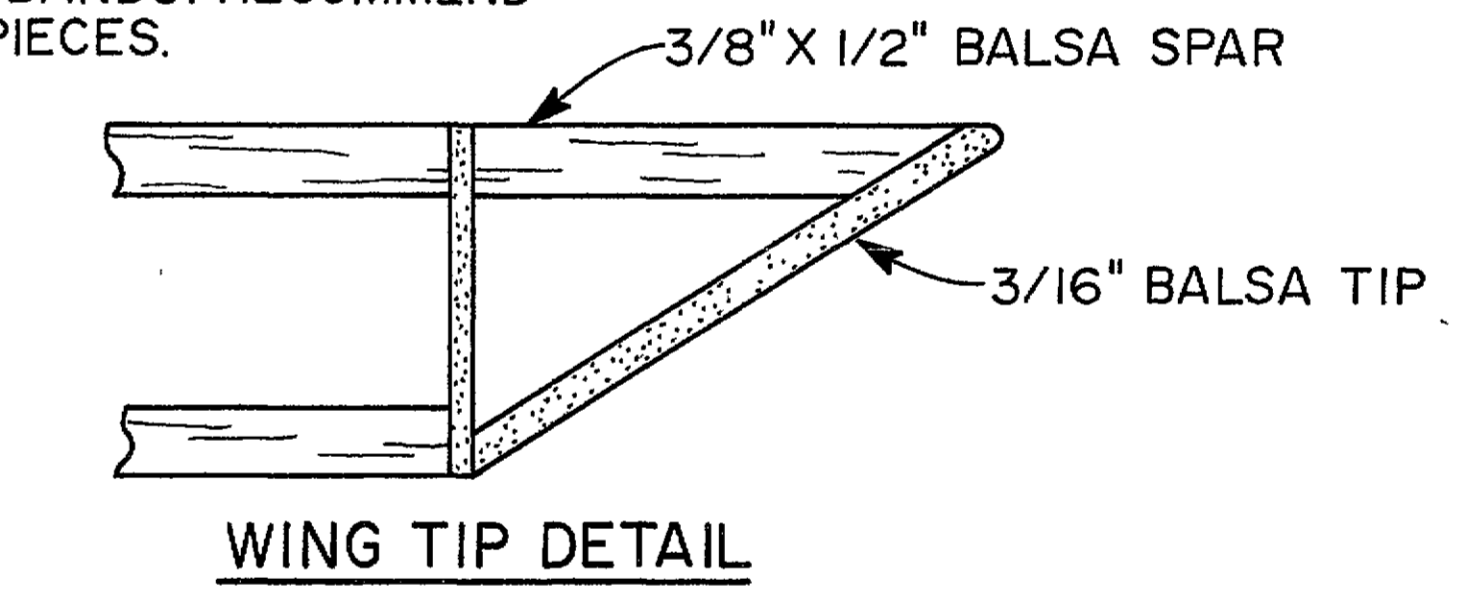


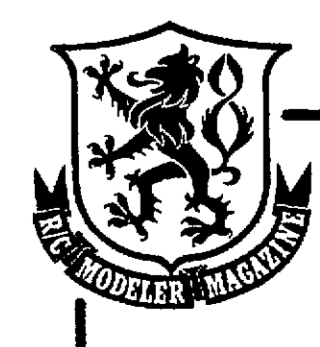
SEE SHEET 1 FOR AILERON SERVO MOUNTING DETAIL



REINFORCE LEADING & TRAILING EDGE FOR RUBBER BANDS. RECOMMEND USING ALUMINUM PIECES.



USE THIS TEMPLATE TO SET CENTER RIBS AT PROPER DIHEDRAL ANGLE



© RCM ALL COMMERCIAL RIGHTS RESERVED

RCM SENIOR TELEMASTER

DESIGNED BY ALEX ENGEL
 DRAWN BY JOSEPH BRIDI
 INKED BY DICK KIDD

