

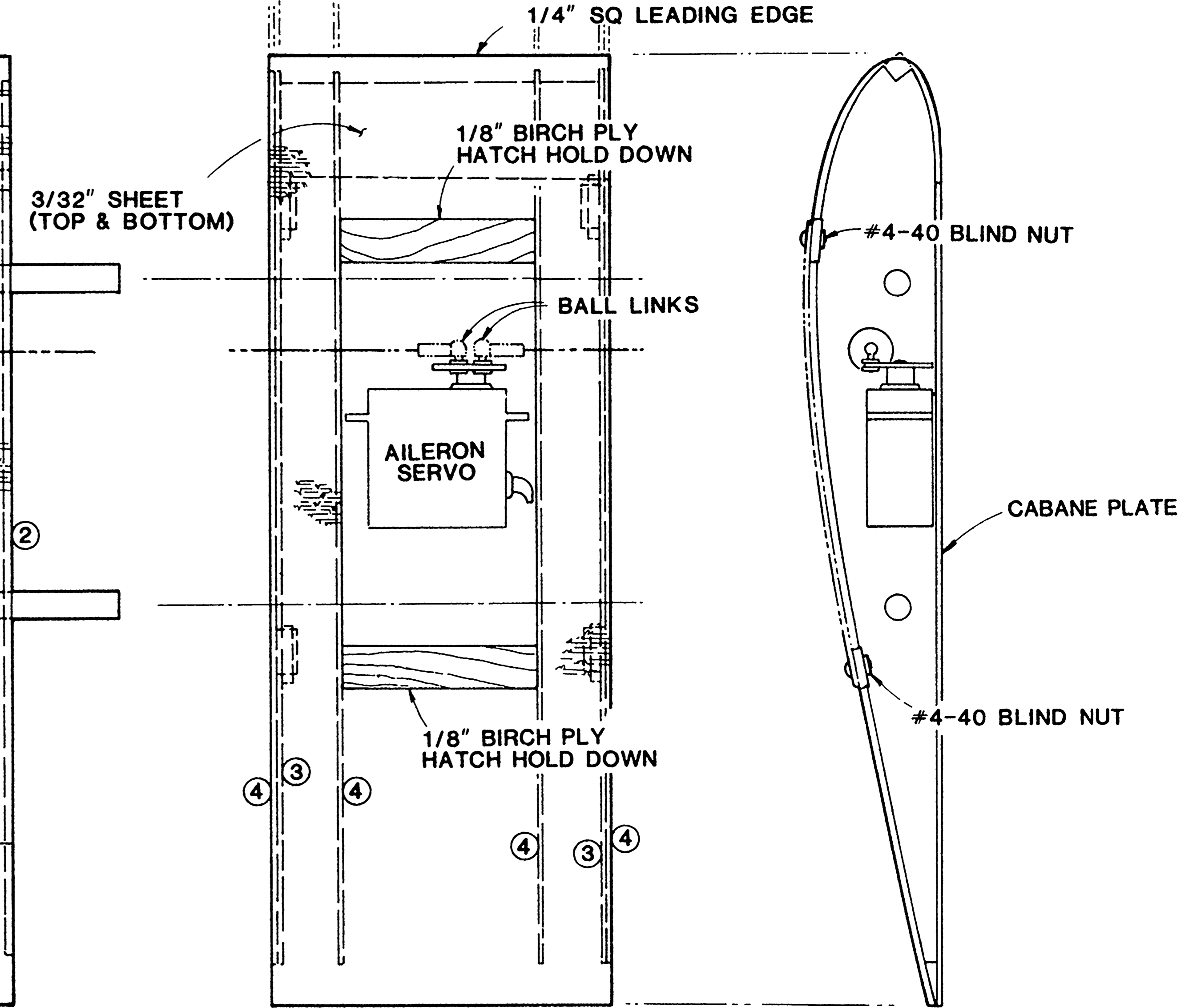
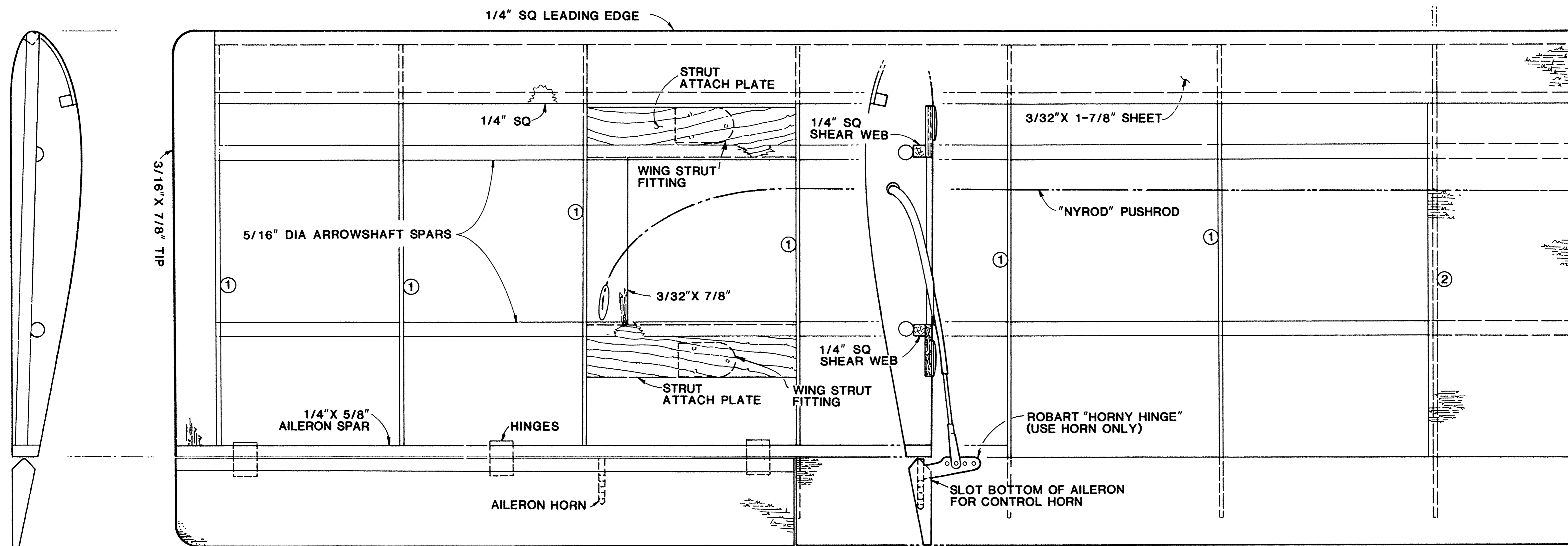
UNLESS OTHERWISE NOTED: ALL WOOD IS BALS

A STAND-OFF, SPORT
AILERON TRAINER
FOR .40 FOUR CYCLE ENGINES



PIETENPOL FOUR

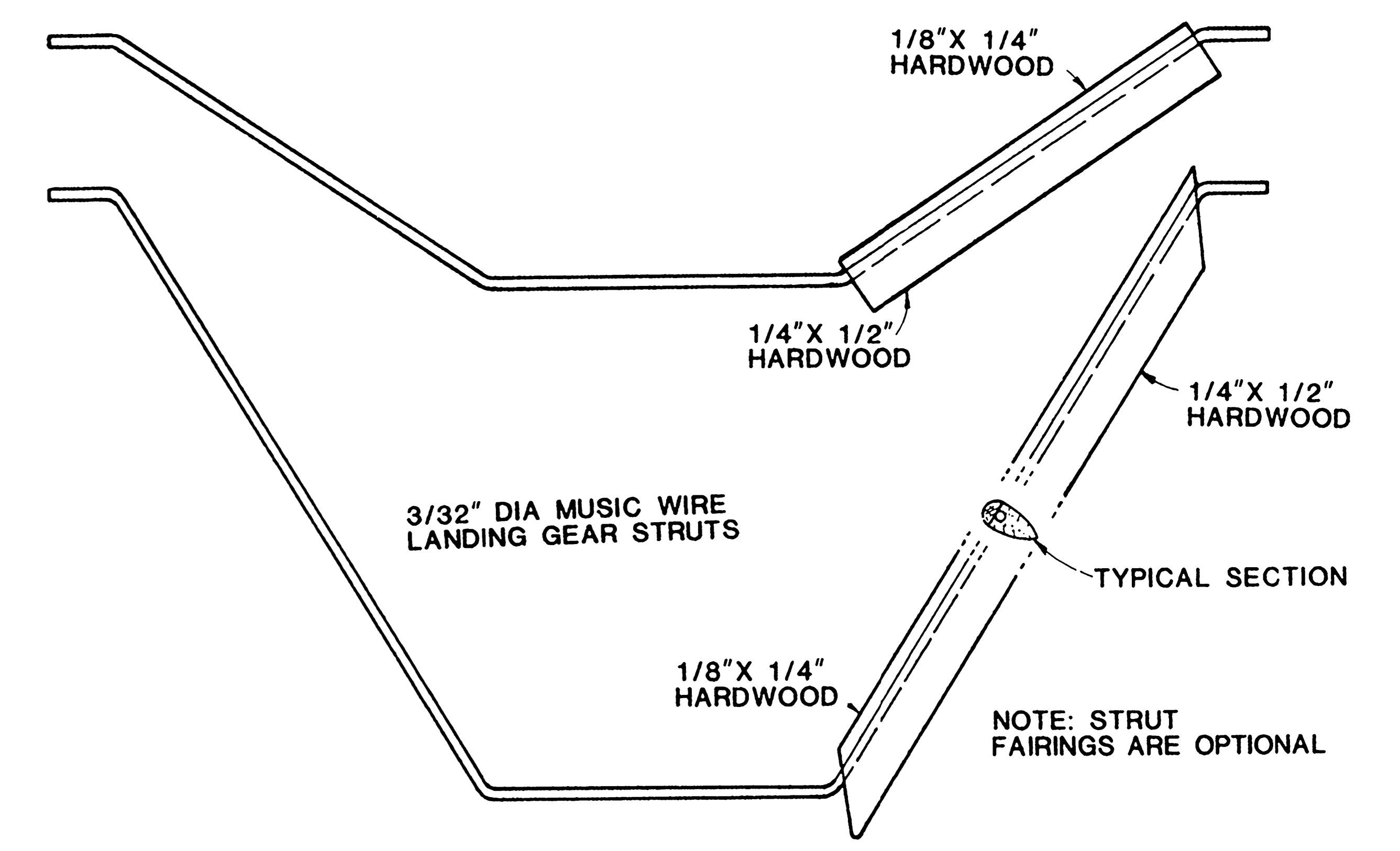
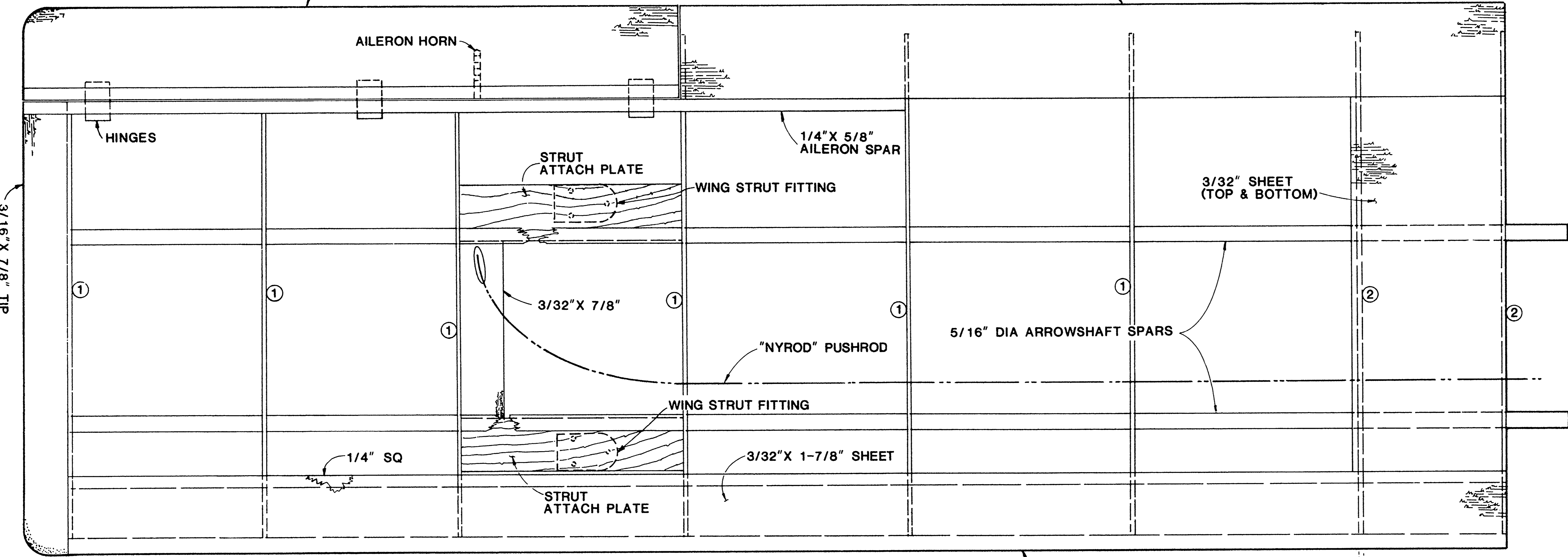
DESIGNED BY GENE WALLOCK DRAWN BY Gus Morris



INSTALL EACH WING PANEL WITH 1/4" DIHEDRAL

AILERONS-5/8" X 1-7/8"

3/32" X 1-7/8" TRAILING EDGE (TOP & BOTTOM)

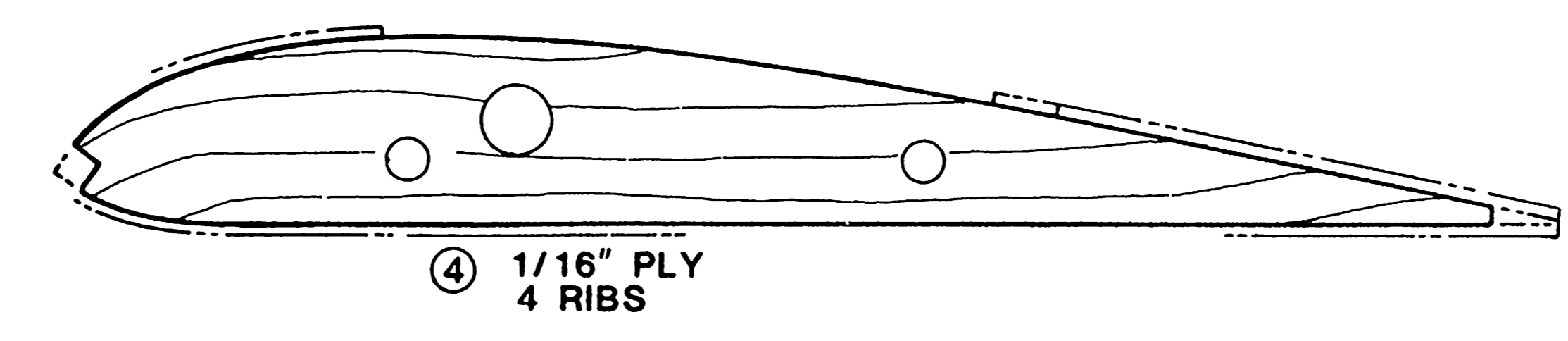
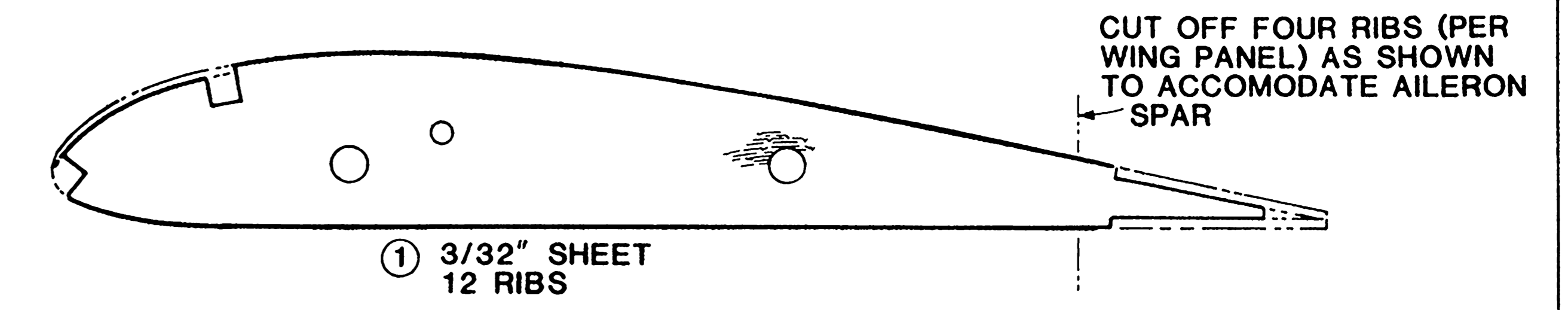
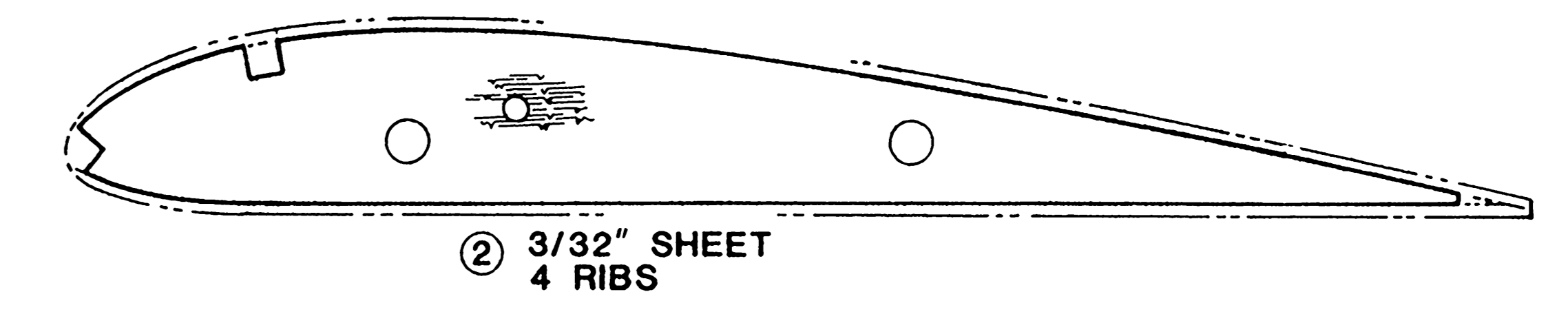
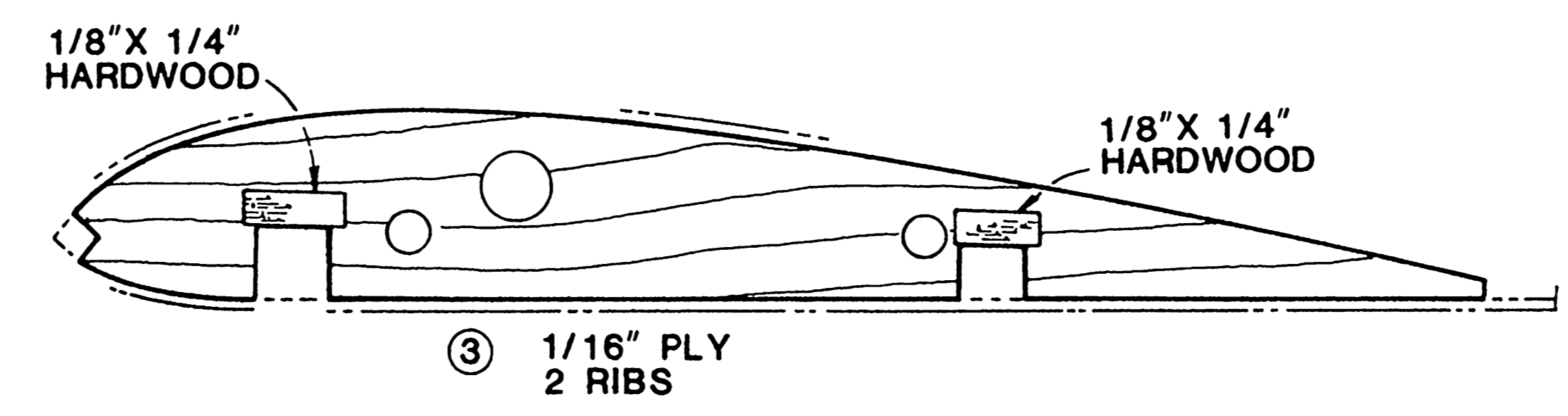
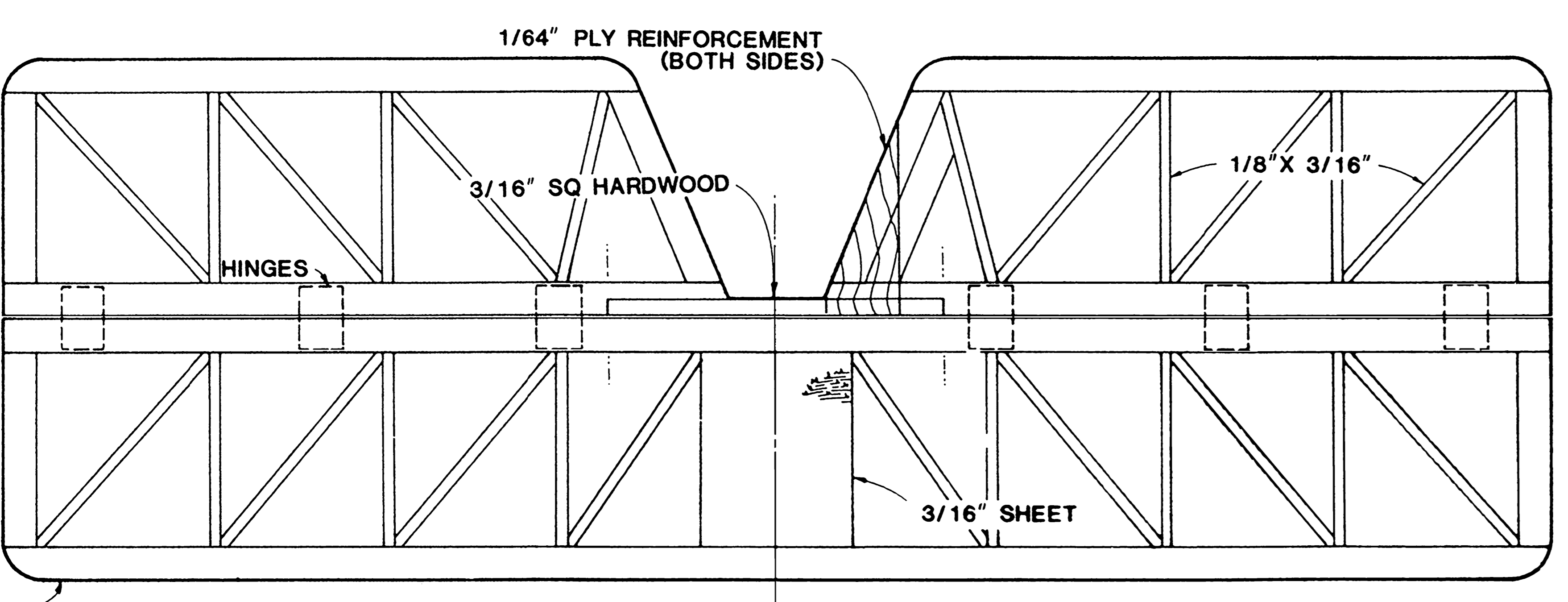


#4 SHEET METAL SCREWS

.032 ALUMINUM FITTINGS: 8 REQUIRED (2 FOR EACH WING & 2 ON EACH SIDE OF THE FUSELAGE)

1/8" BIRCH PLY STRUT ATTACH PLATE (4 REQUIRED)

1/16" PLY AILERON SERVO HATCH



PIETENPOL FOUR

DESIGNED BY GENE WALLOCK DRAWN BY Gus Morris

SHEET 2 OF 2

0 1 2 3 4 5 6