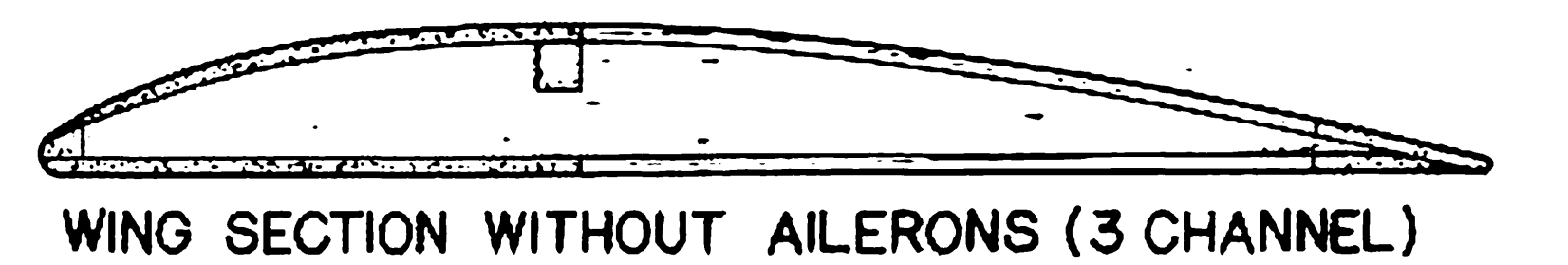
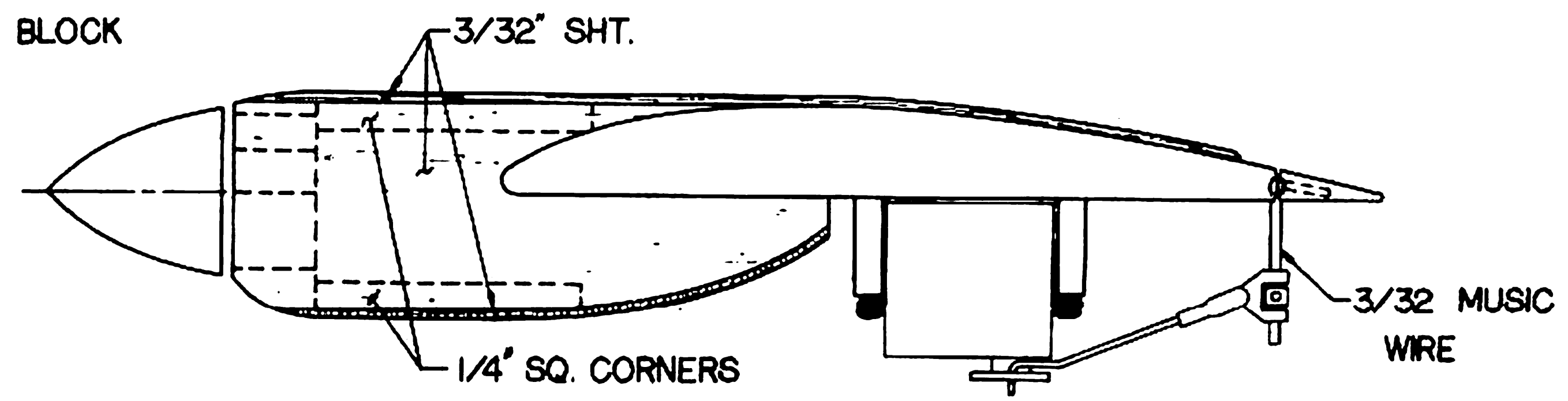
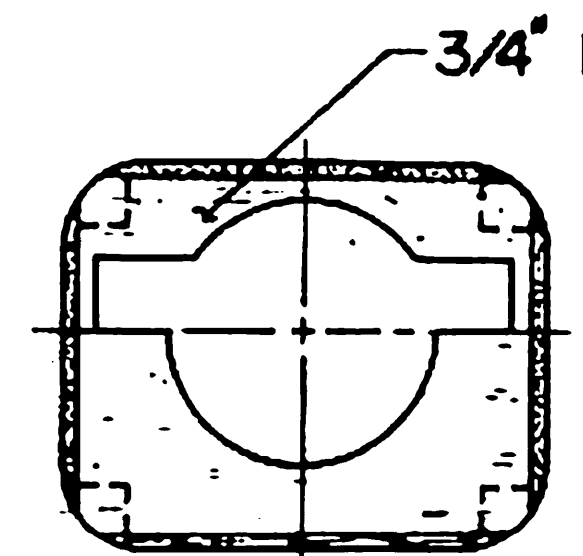
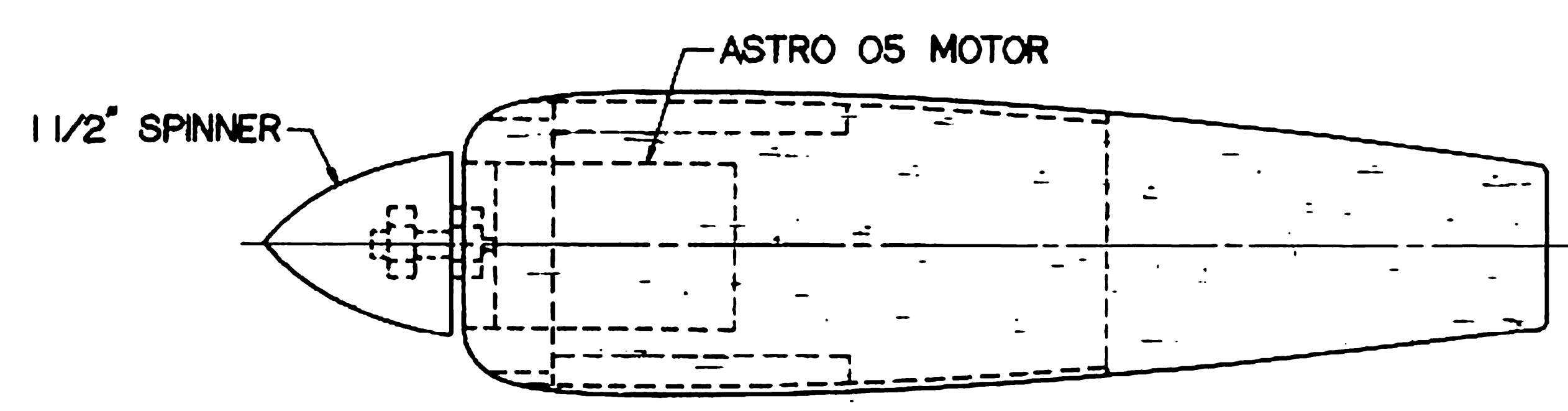
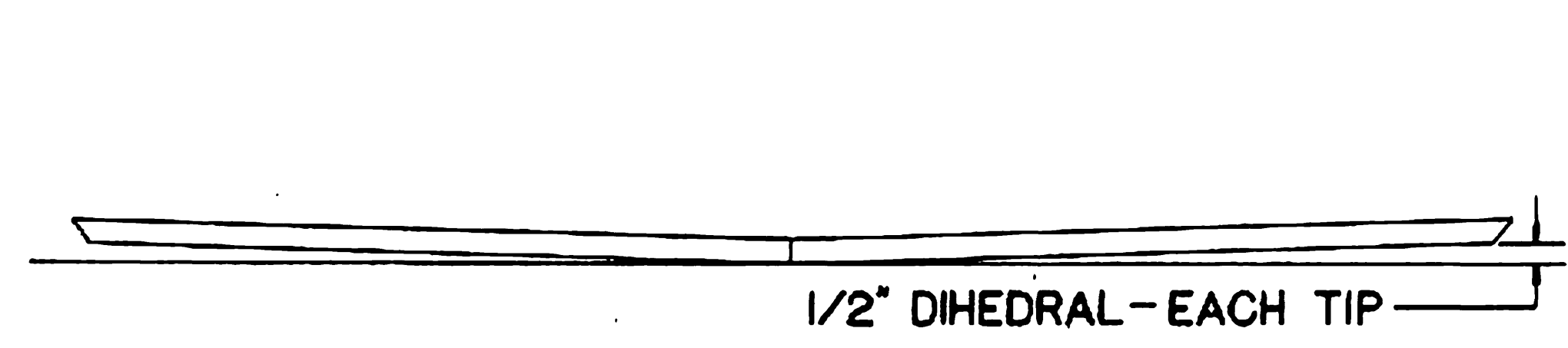
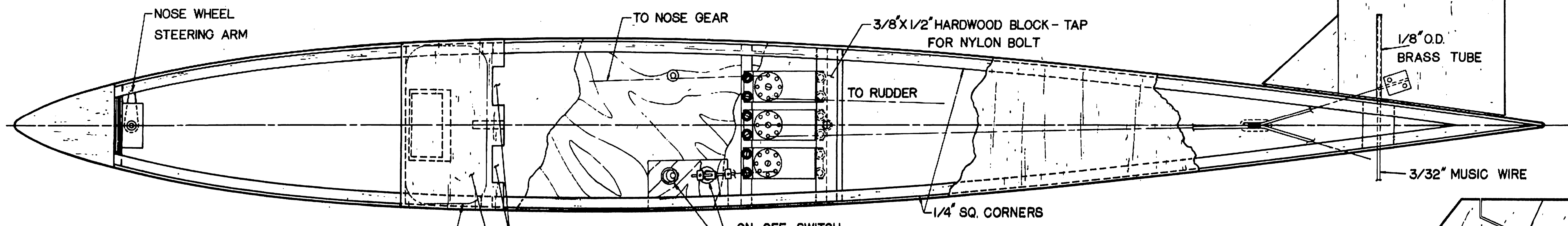


NOTE: LEFT WING PANEL SHOWS AILERONS FOR FOUR CHANNEL VERSION

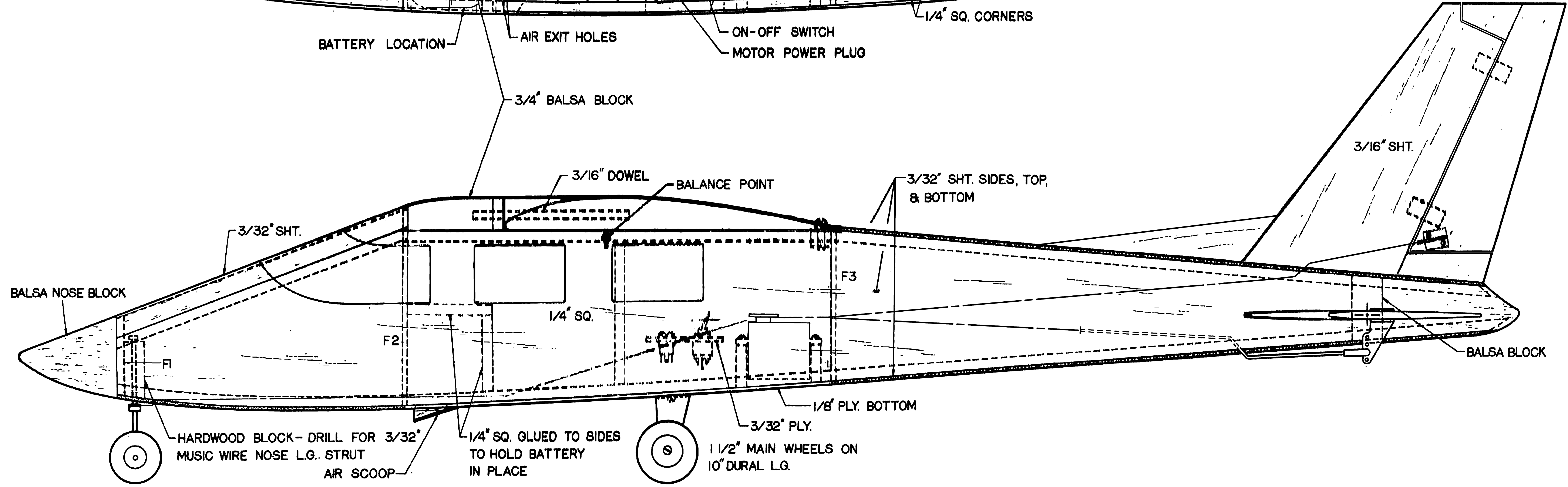
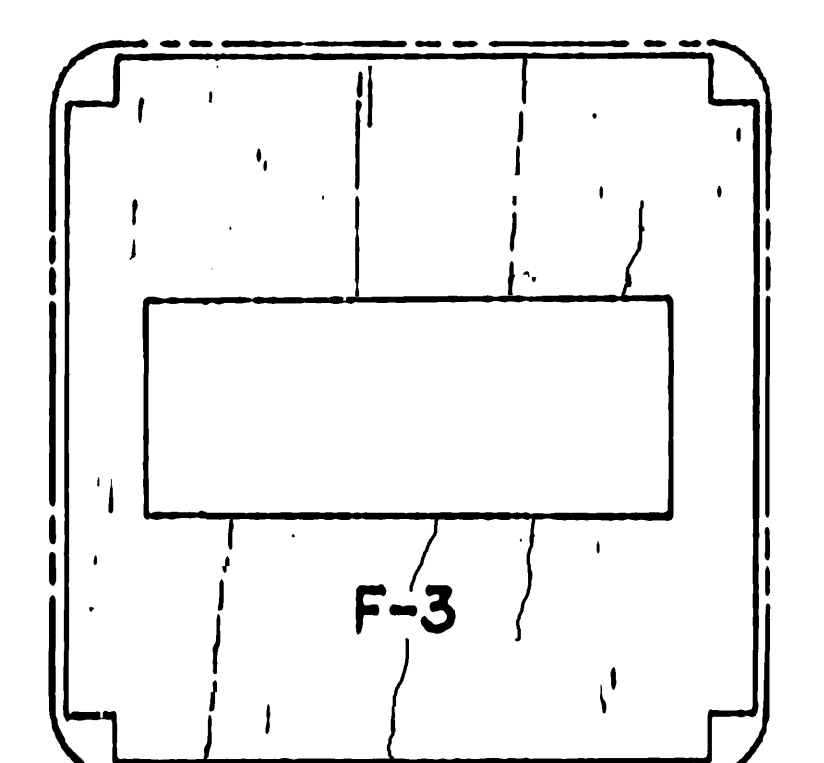
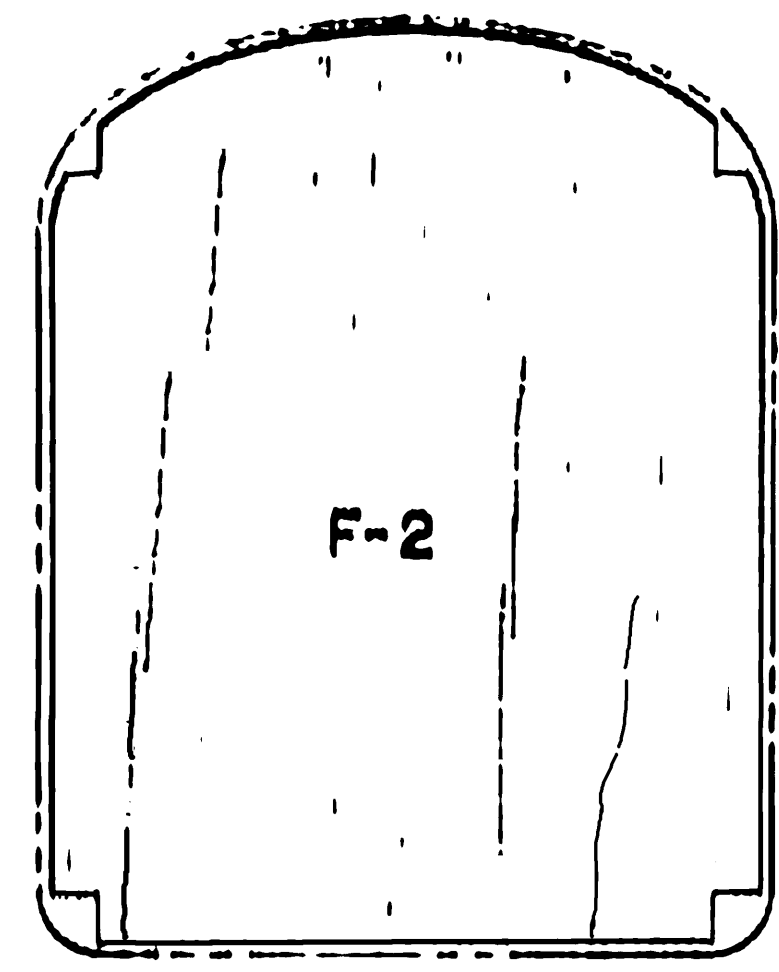
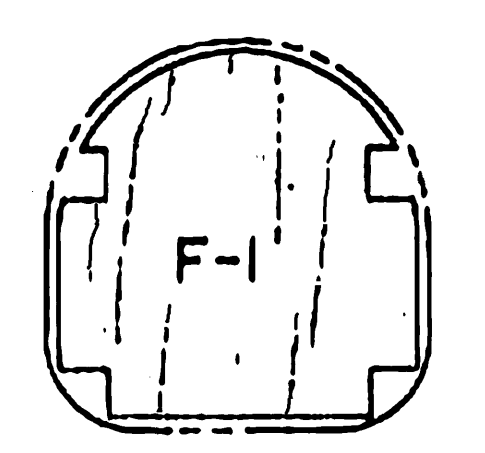
NOTE: RIGHT WING PANEL SHOWS OPTIONAL CONSTRUCTION FOR THREE CHANNEL VERSION



ALL WING RIBS ARE 3/32" SHT. - 22 REQ'D



FUSELAGE BULKHEADS ARE 1/8" SHT.



© RCM ALL COMMERCIAL RIGHTS RESERVED

PARTENAVIA P.68 VICTOR

DESIGNED BY BOB BOUCHER INKED BY PHIL BERNHART

0 1 2 3 4 5 6

PLAN NO 618