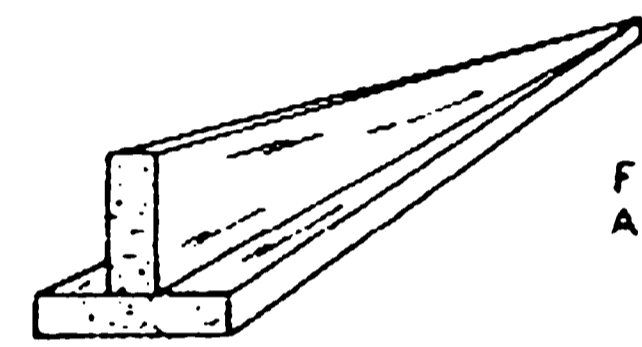
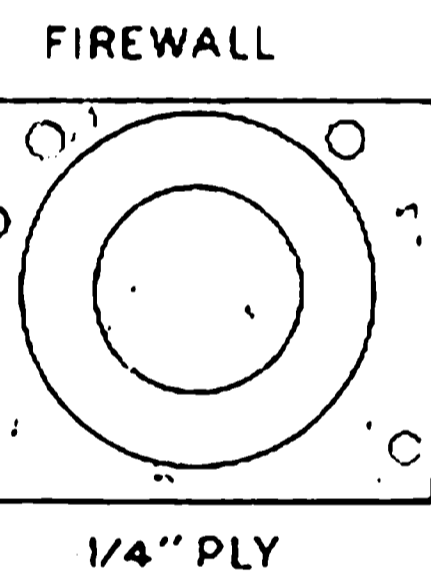


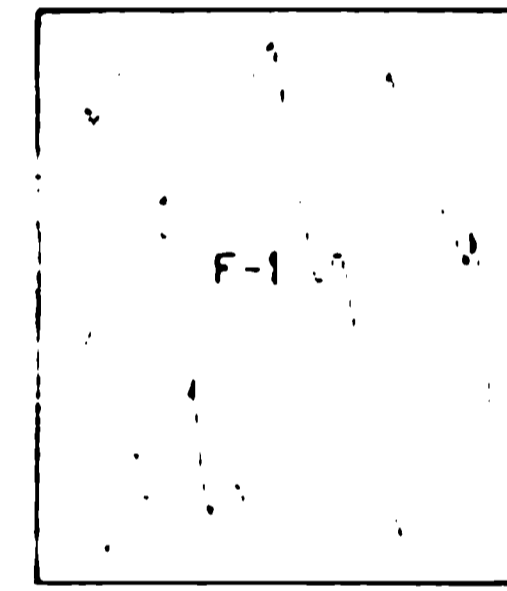
NOT TO SCALE



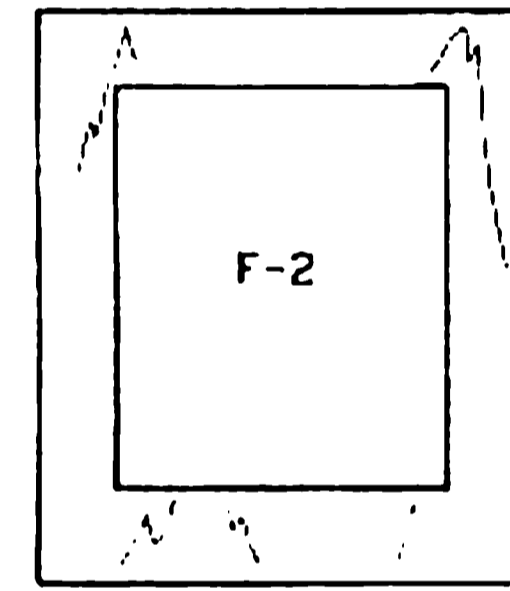
FALSE FIN & STAB
FILL EACH SIDE WITH Balsa AND FAIR.



FIREWALL
1/4" PLY

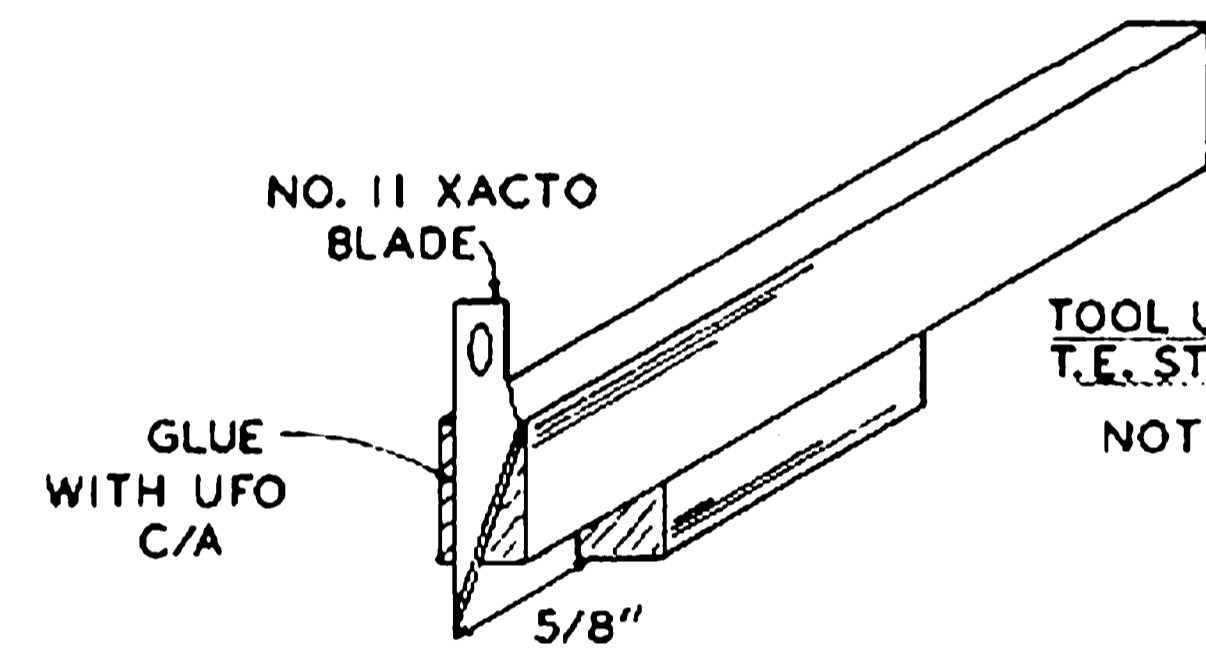


F-1



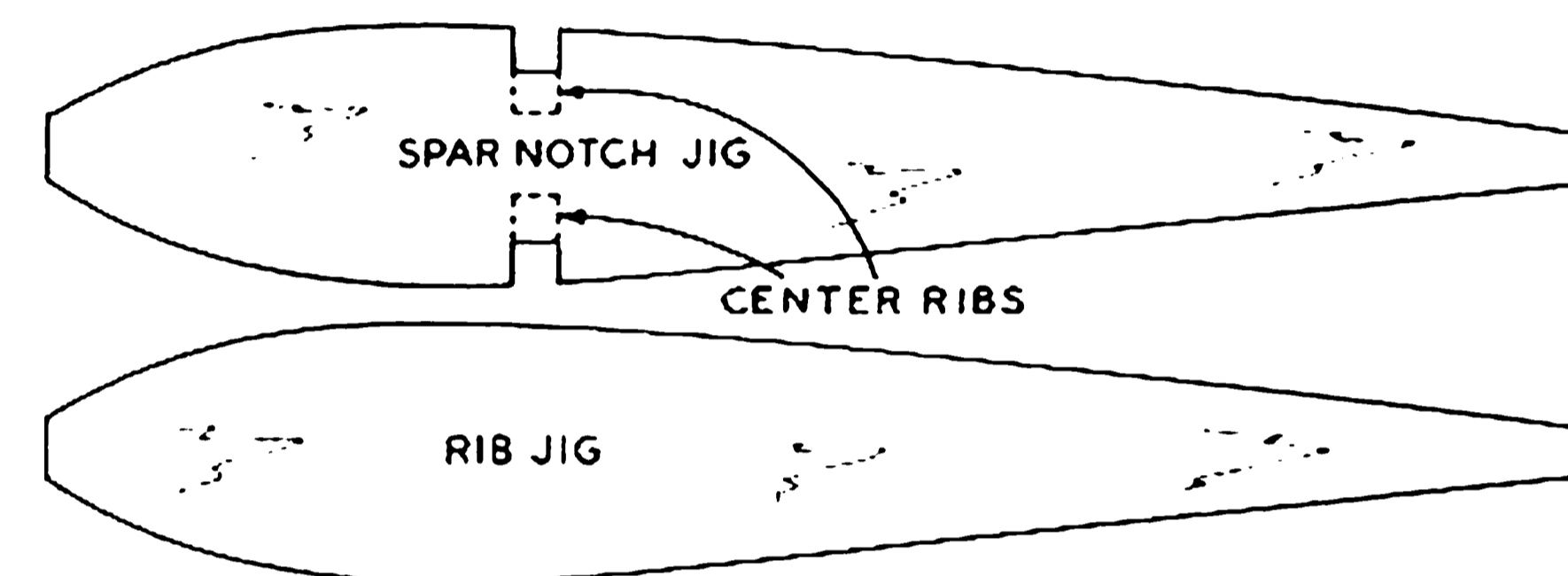
F-2

1/8" PLY



TOOL USED TO CUT T.E. STOCK TO WIDTH
NOT TO SCALE

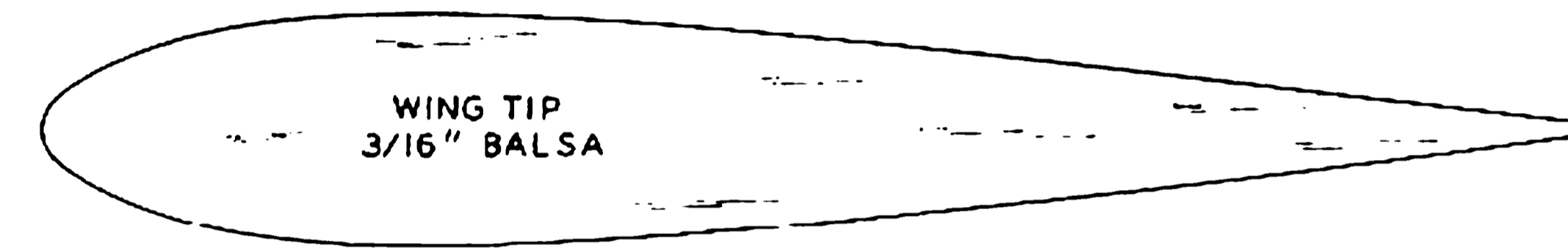
USE RIB JIG TO MAKE CUTOUT IN FUSELAGE FOR WING.



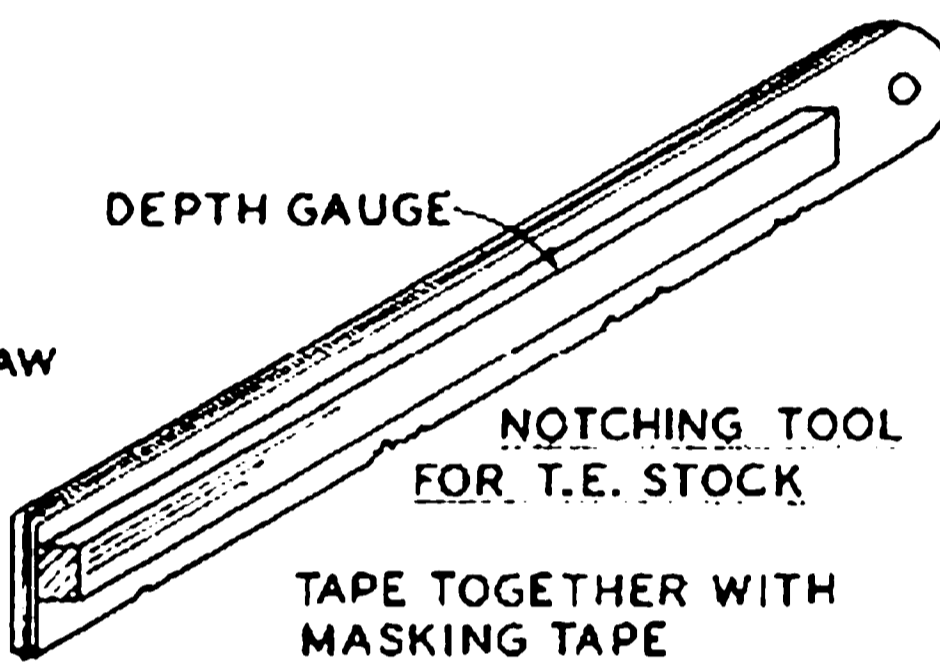
SPAR NOTCH JIG

CENTER RIBS

RIB JIG



WING TIP 3/16" Balsa



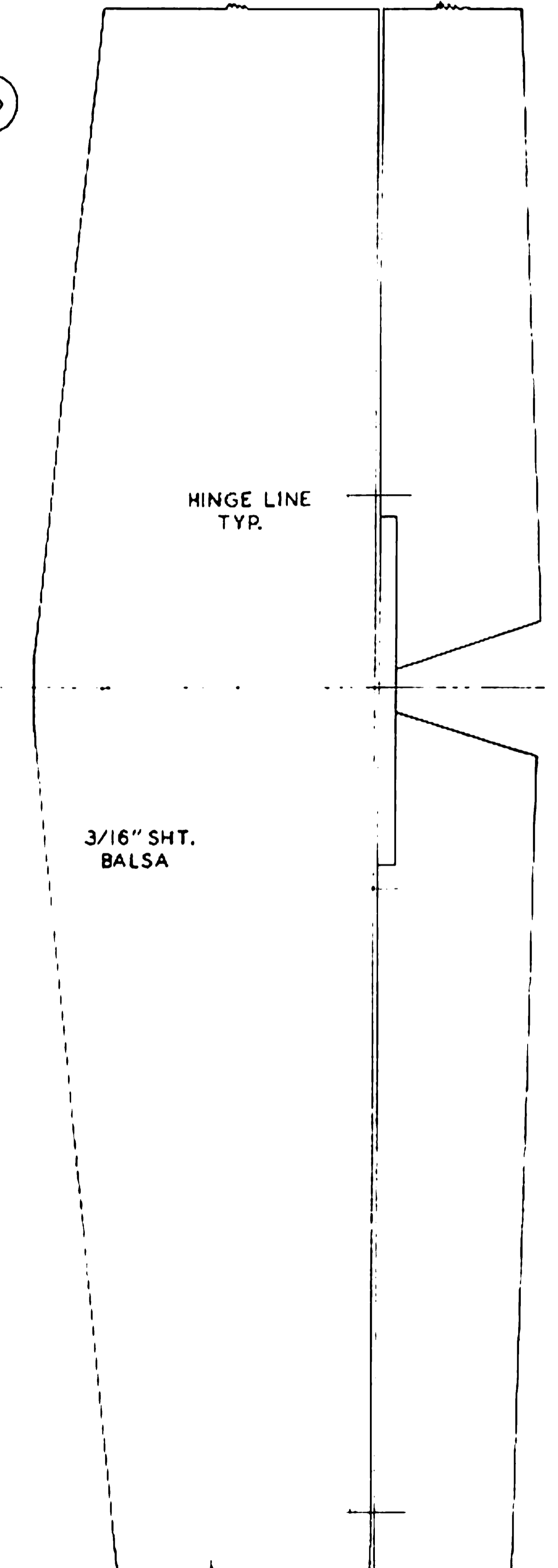
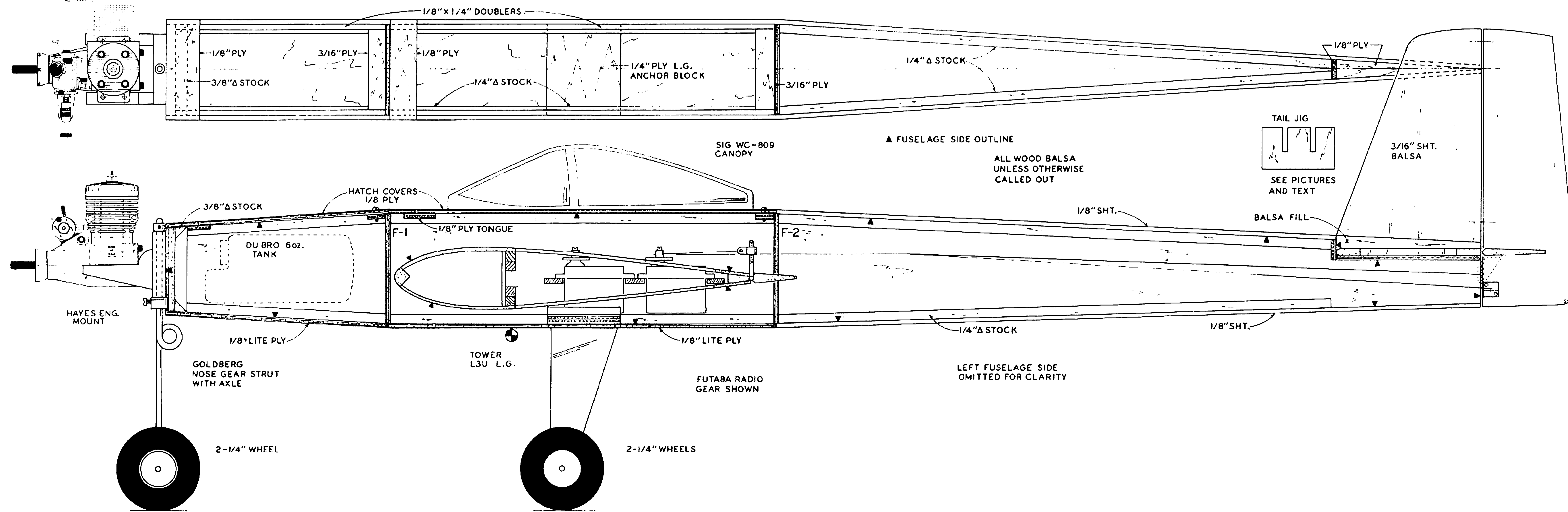
DEPTH GAUGE

3 HACK-SAW BLADES CUT A 3/32" NOTCH

NOTCHING TOOL FOR T.E. STOCK

TAPE TOGETHER WITH MASKING TAPE

NOT TO SCALE



REPRODUCED BY PERMISSION OF THE AUTHOR

MYSTIK

DESIGNED & DRAWN BY PAUL F. DENSON

