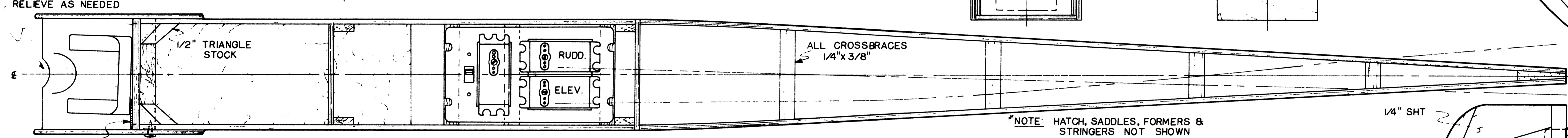
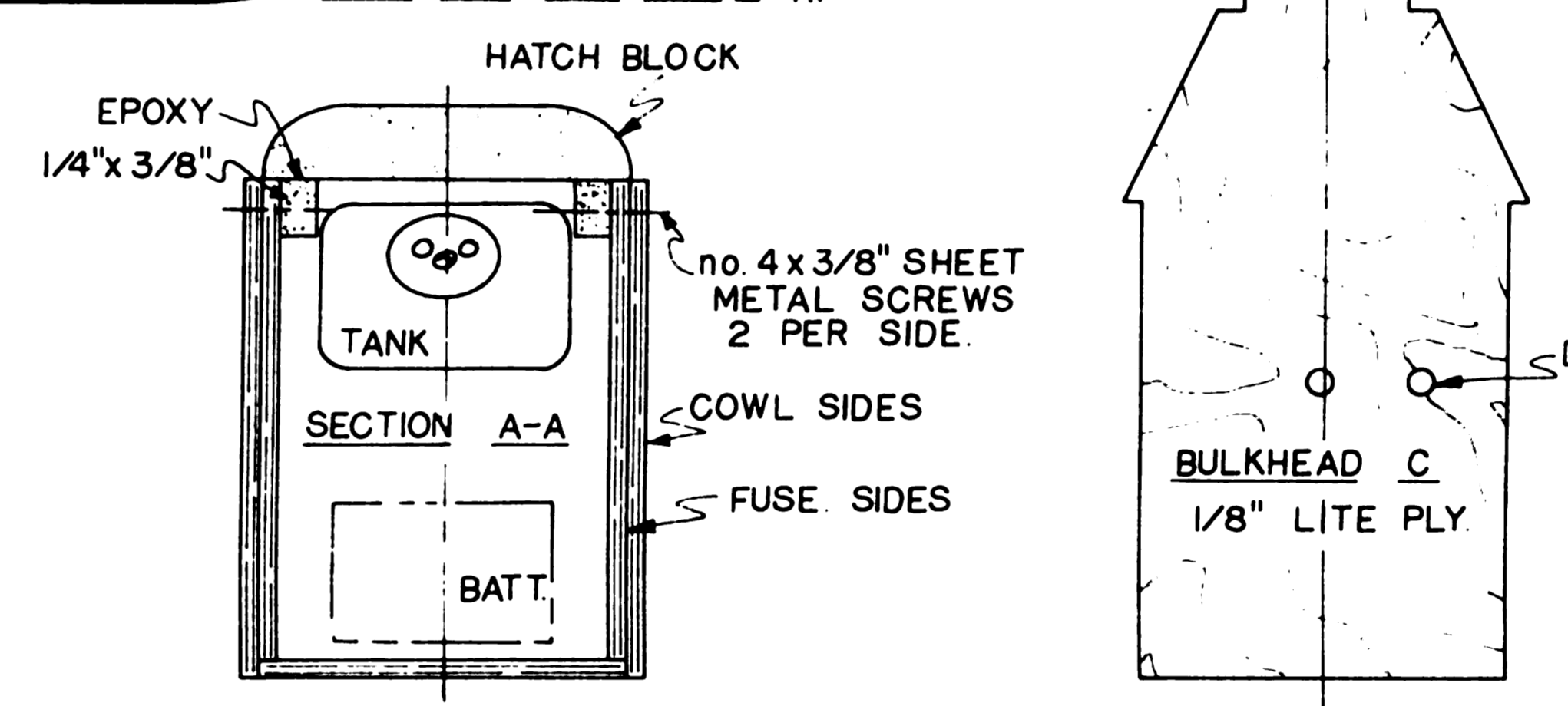
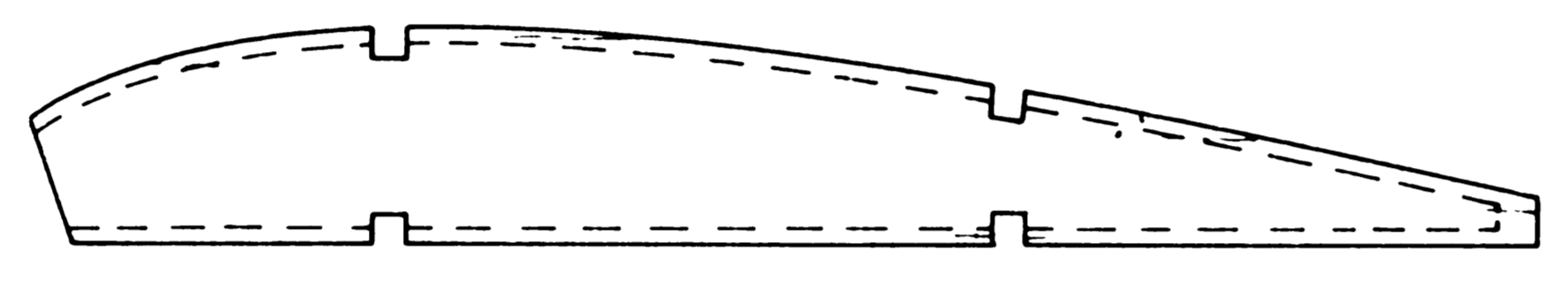
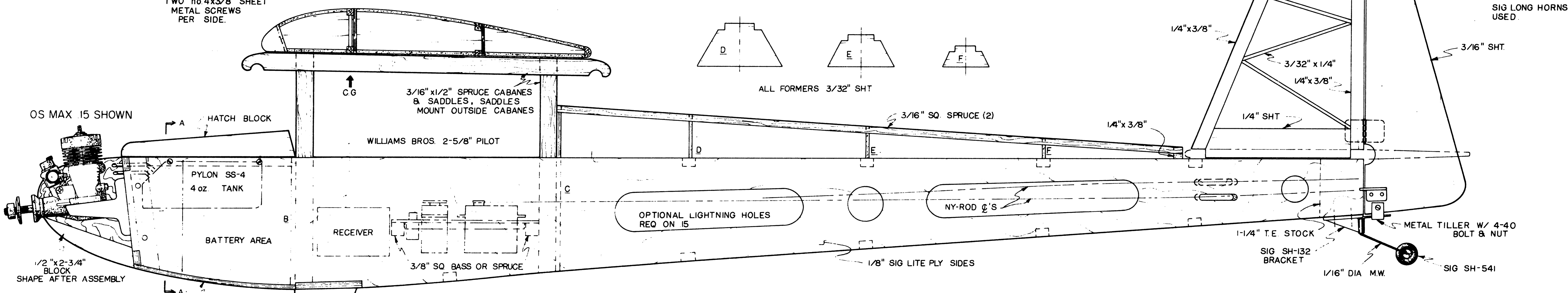


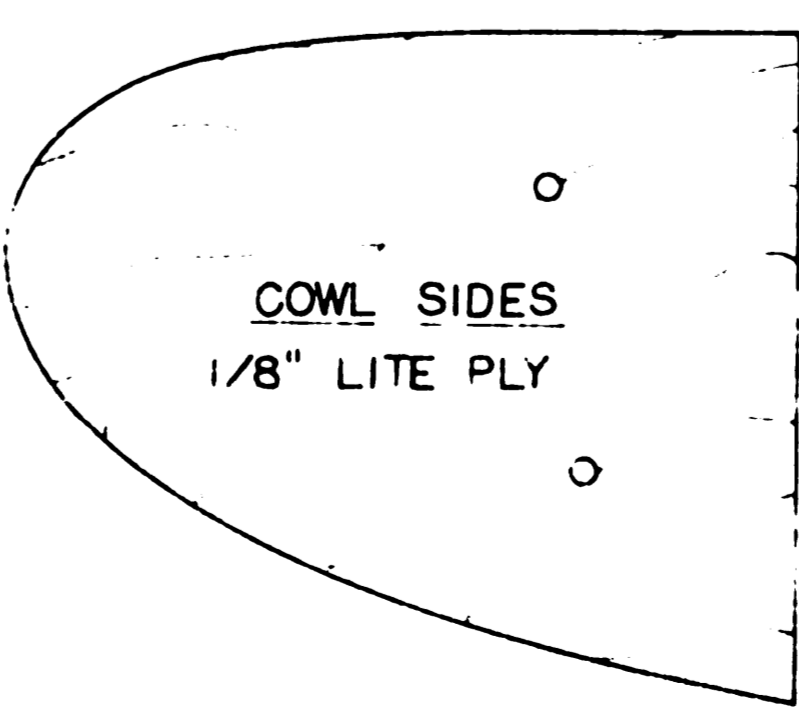
NOTE: BLOCK UP TE. 1/4" AT TIP DURING ASSEMBLY, FOR WASH OUT. 2-1/2" DIHEDRAL EACH TIP 5" TOTAL.



NOTE: HATCH, SADDLES, FORMERS & STRINGERS NOT SHOWN THIS VIEW.



LG SIG RP-BA-239 KAVALIER PRE-BENT LG MOUNTED ON 3/16" PLY W/ FOUR 4-40 BOLTS & BLIND NUTS
WHEELS MOUNTED ON BANNER AS-432 AXLE W/ 1/8" WHEEL COLLAR RETAINER
PANTS SIG RP-533 SKYBOLT HELD TO GEAR W/ TWO no. 4 x 3/8" SHT. MTL. SCREWS
1/16" ABS SHT DOUBLER EPOXY TO INSIDE ON GEAR SIDE



NOTE ALL PARTS BALSA UNLESS OTHERWISE NOTED
EPOXY ALL HARDWOOD TO HARDWOOD JOINTS

SPECS	
SPAN	54 in
WING AREA	560 sq in
LENGTH	41 in
POWER	15-25

© RCM ALL COMMERCIAL RIGHTS RESERVED

DESIGNED & DRAWN BY DOC MATHEWS

TRACED IN INK BY W. Johnson

PLAN NO. 795