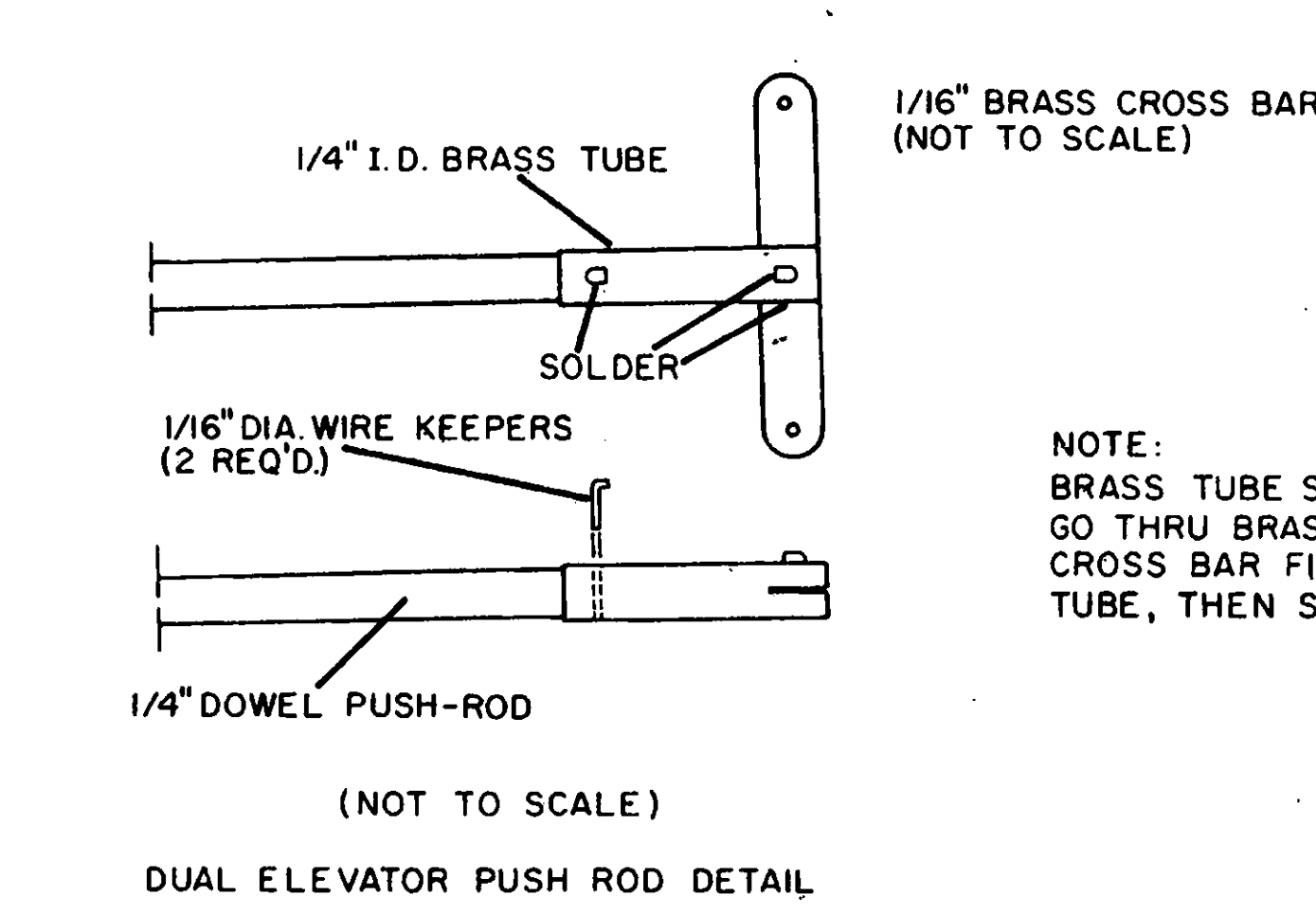
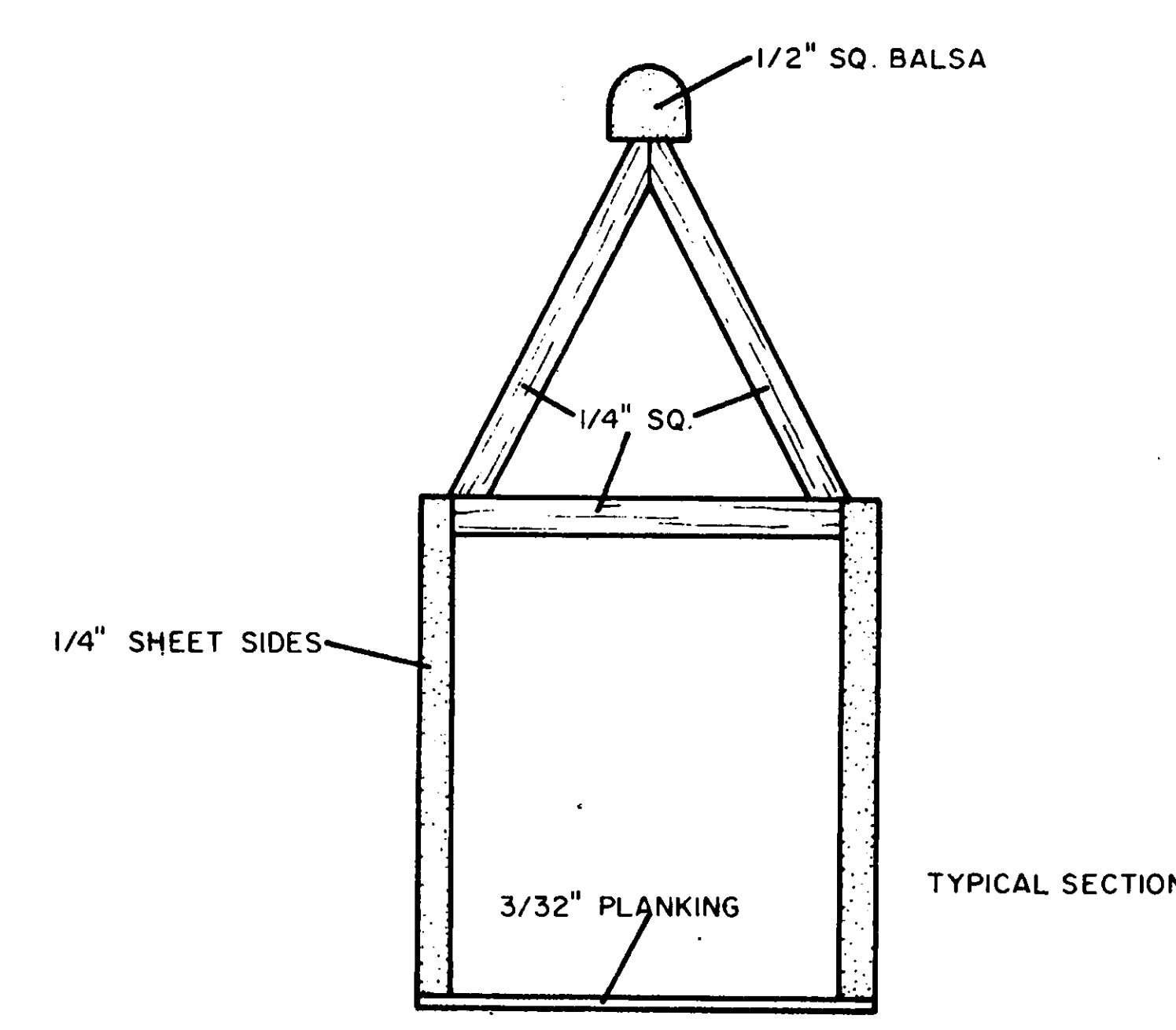


NOTE:  
AFTER BLOCK "A" & BLOCK "B" ARE ROUNDED & HOLLOWED TO SHAPE DESIRED, PLACE FRONT OF FUSELAGE ON 1/8" PLY & TRACE FIREWALL PATTERN. AFTER FIREWALL IS GLUED IN PLACE & DRIED, PLACE FUSELAGE ON NOSE & FILL NOSE WITH APPROXIMATELY 3/8" DEEP FIBERGLASS RESIN.



NOTE:  
BRASS TUBE SLIPS OVER DOWEL, WIRE KEEPERS GO THRU BRASS TUBE & WOOD DOWEL AND SOLDERED. CROSS BAR FITS INTO SLOT CUT INTO DOWEL & BRASS TUBE, THEN SOLDERED.

**MISS DENVER**  
DESIGNED & DRAWN BY JOSEPH J. DOLAN INKED BY GERARDO FLORES  
0 1 2 3 4 5 6