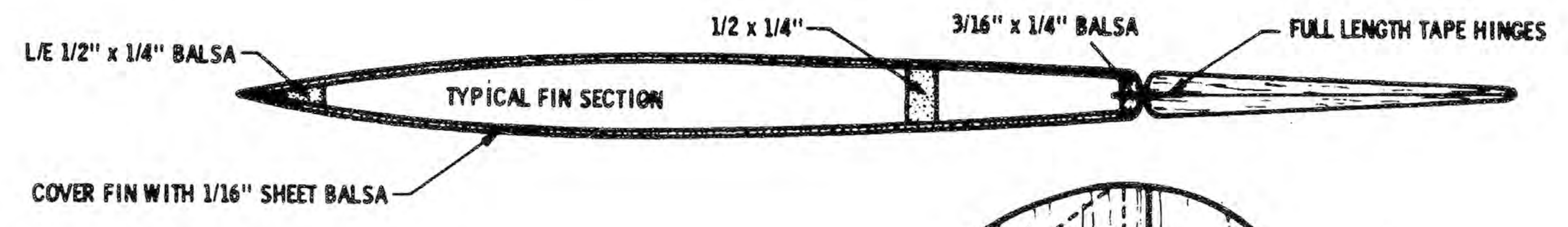


R/C INSTALLATION NOT SHOWN, LEFT TO BUILDER'S CHOICE



MAKE RUDDER FROM 2 LAMINATIONS OF 3/16" SHEET BALSAs

SCALE HINGE LINE
BLACK RACING NUMBERS

SHAPE FROM 1/4" SHEET BALSAs

SHAPE FROM 1/2" SHEET BALSAs

3/16" DOWEL

1/4" SQ. BALSAs

1/4" SQ. BALSAs

1/4" SHEET BALSAs

1/16" SHEET BOTTOM

1/8" PLY

1/8" MUSIC WIRE

STITCHING

SKID DETAIL

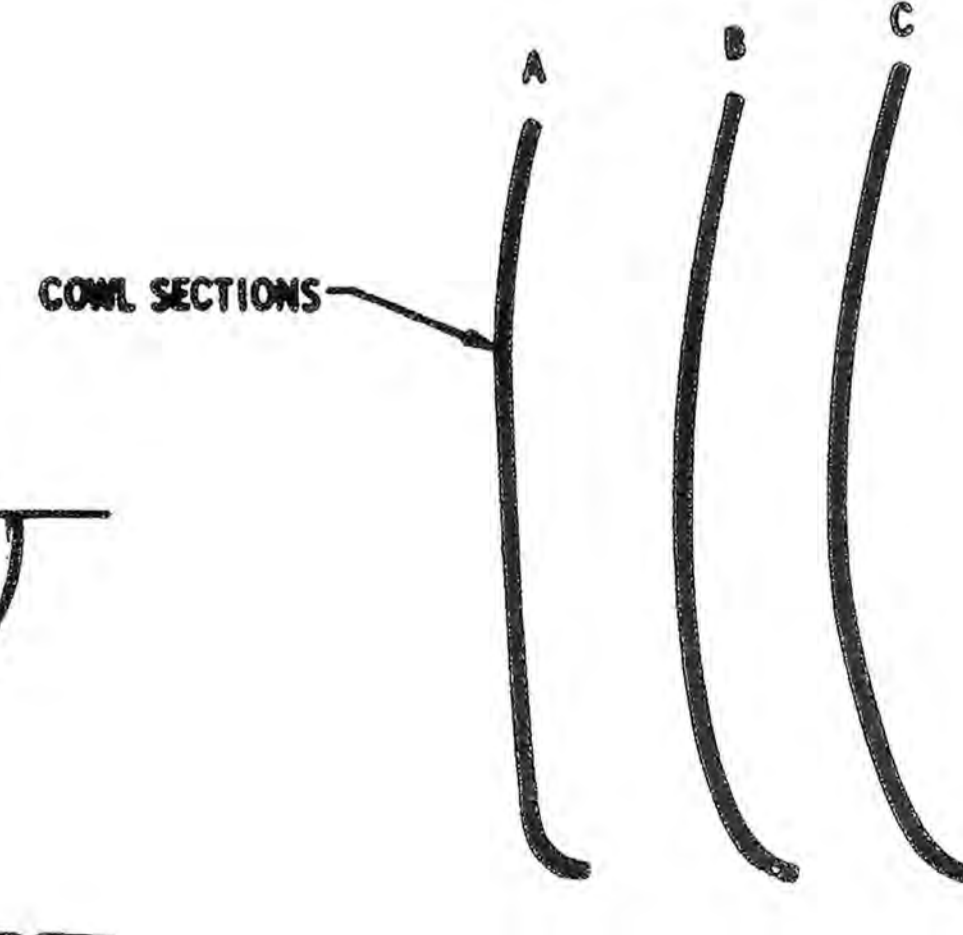
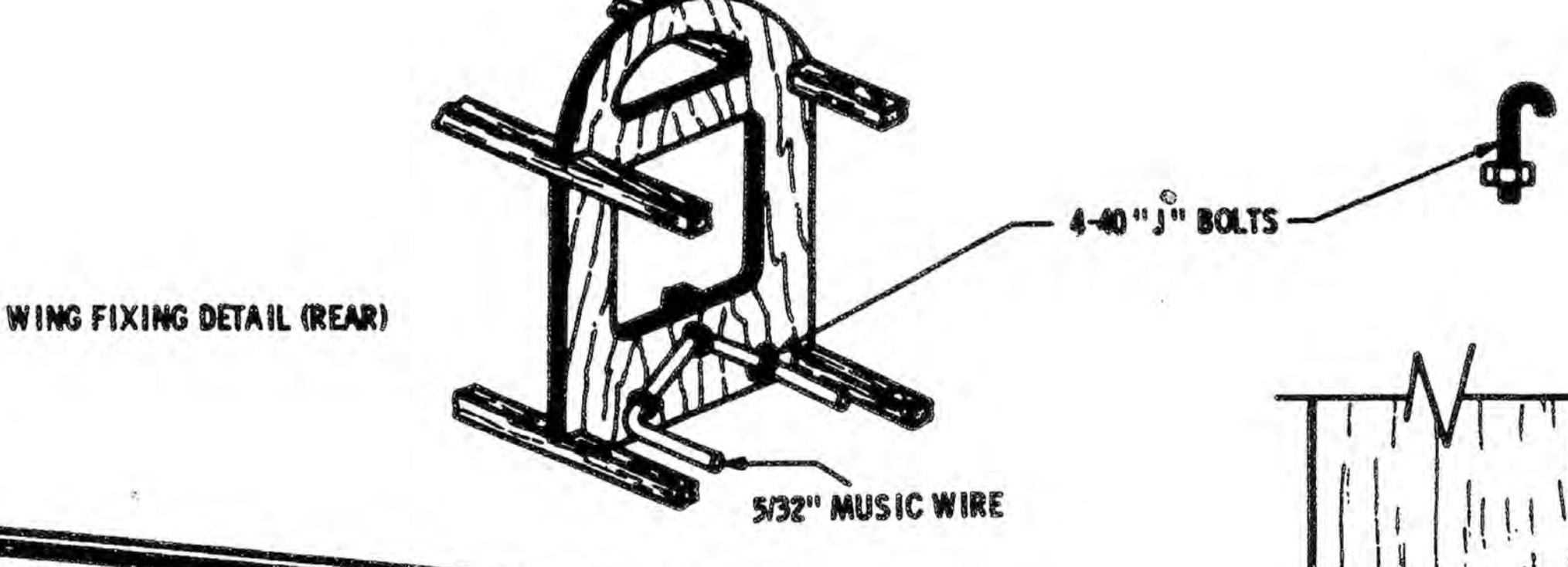
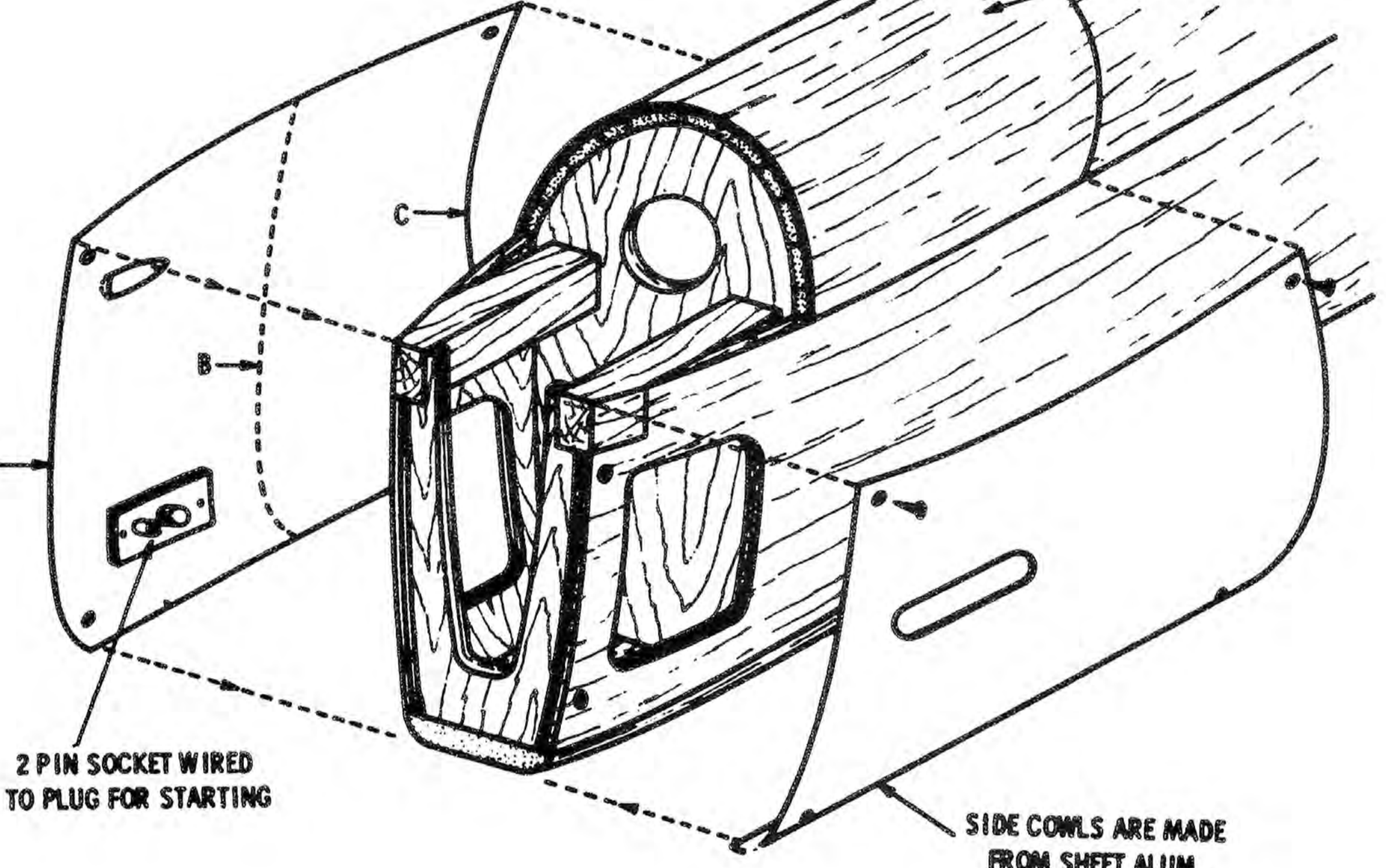
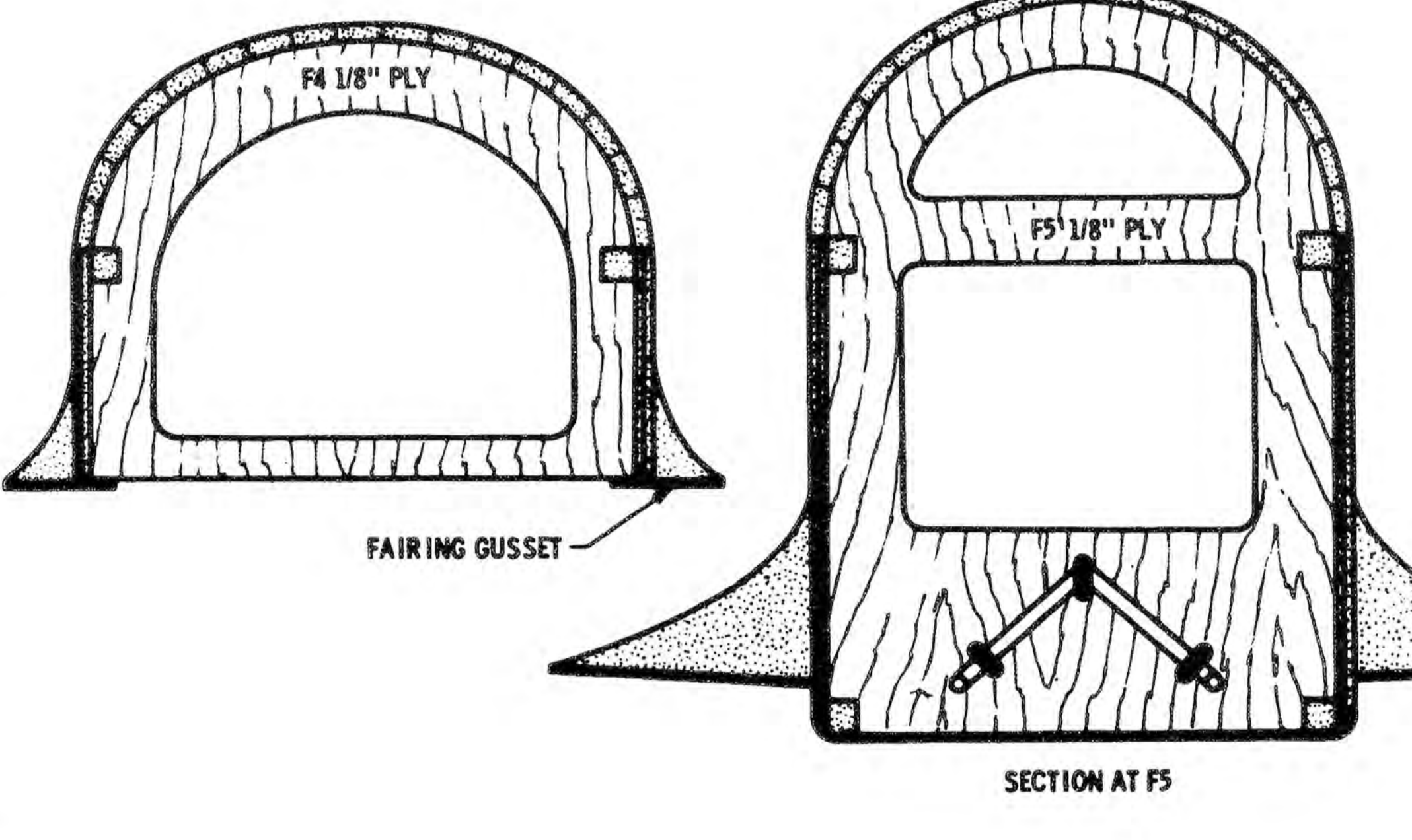
1/8" PLY

1/8" MUSIC WIRE

DO NOT EXCEED THIS MOVEMENT

1/32" SHEET TO SIMULATE COWL

SIDE COWLS ARE MADE FROM SHEET ALUM.



MILES M.5 SPARROWHAWK
60" SPAN MULTI CHANNEL R/C SCALE COLOR SCHEME
ENTIRE SHIP A HIGH GLOSS CREAM WITH RED LETTERING
PLATE 1 OF 2

modeler
MAGAZINE
MILES M.5 SPARROWHAWK
 DESIGNED BY D. F. BRYANT
 DRAWN BY D. F. BRYANT
 INKED BY G. FLORES



