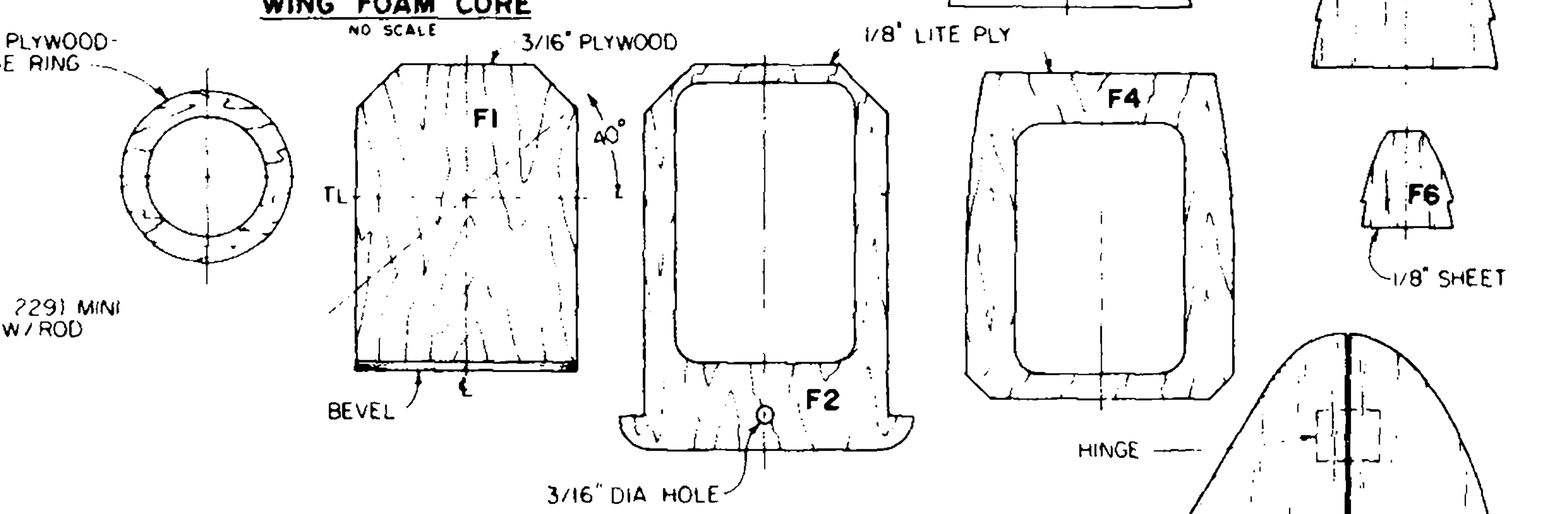
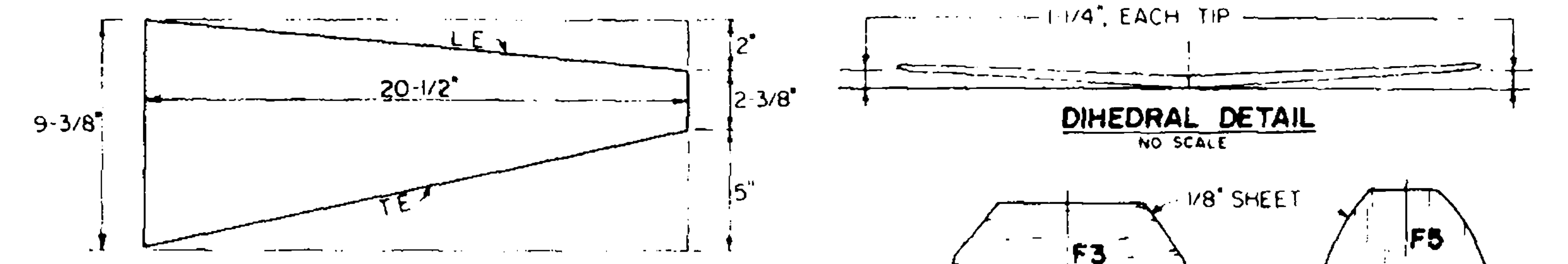
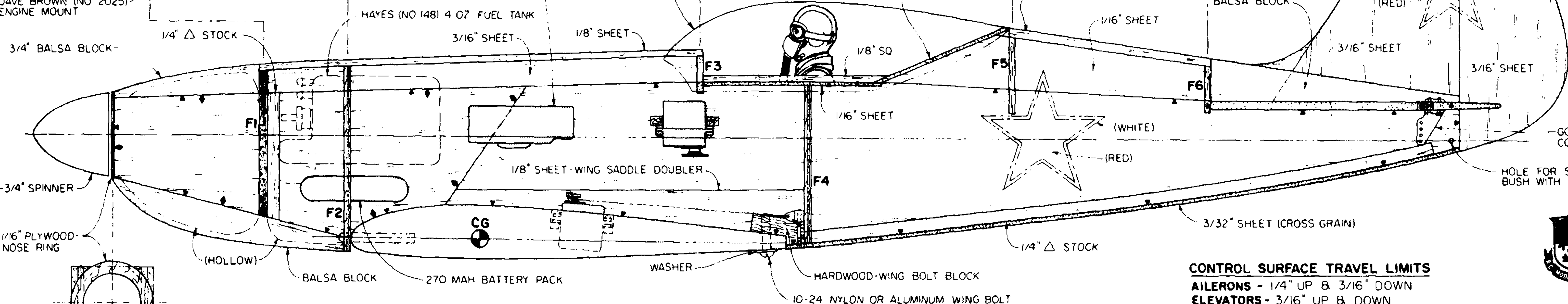
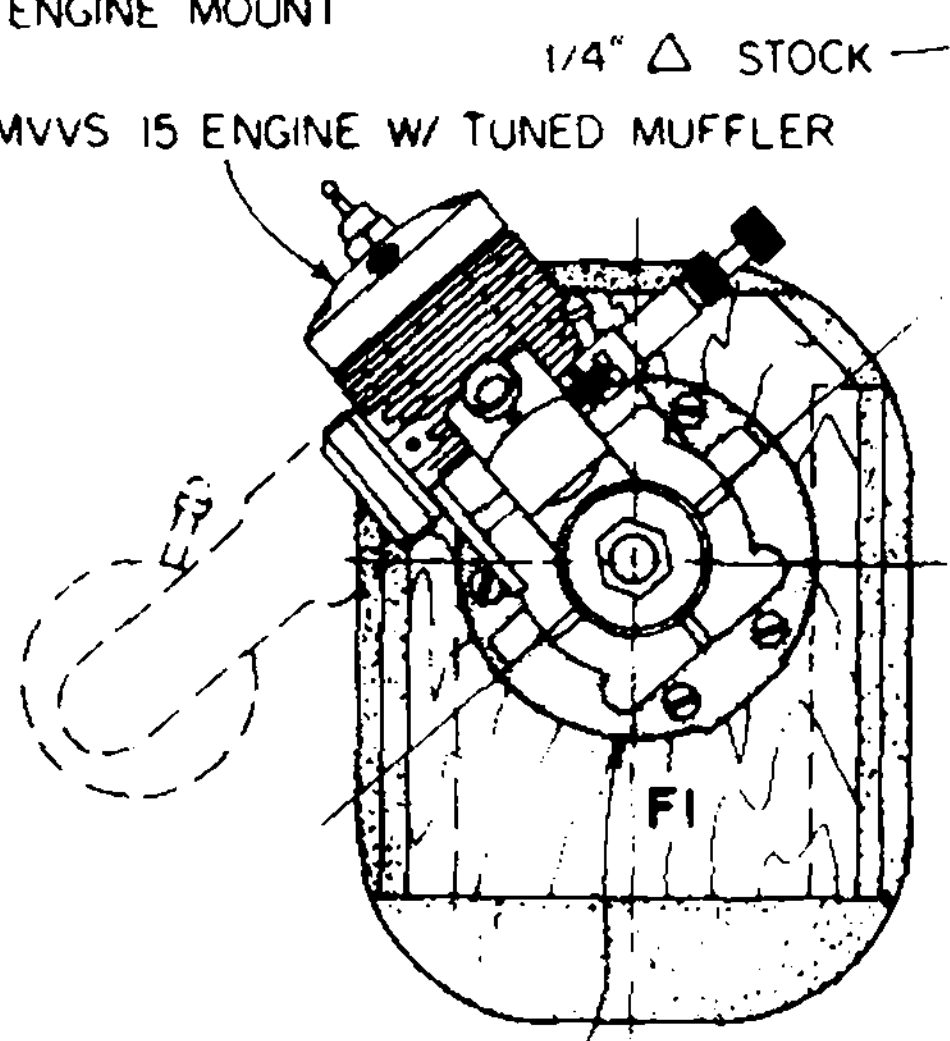
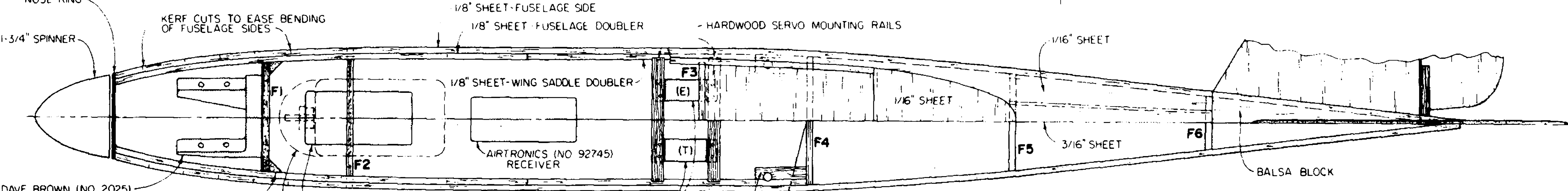


MAKE FOAM CUTTING TEMPLATES FROM 3/32" PLASTIC LAMINATE, PLYWOOD, OR ALUMINUM



**TYPICAL WING CROSS SECTION**



▶ - DENOTES 1/8" SHEET FUSELAGE SIDE OUTLINE  
 ◆ - DENOTES 1/8" SHEET FUSELAGE DOUBLER OUTLINE

NOTE ALL WOOD IS BALSA EXCEPT AS NOTED OTHERWISE

**CONTROL SURFACE TRAVEL LIMITS**  
 AILERONS - 1/4" UP & 3/16" DOWN  
 ELEVATORS - 3/16" UP & DOWN

©RCM ALL COMMERCIAL RIGHTS RESERVED  
**MIKOYAN-GUREVICH**  
**MIG-7**  
 A 15 - 26 POWERED 1/12 SCALE COMBAT DESIGN  
 DESIGNED BY: *Bob Watson* PLANS BY: *Bob Watson*  
 0 1 2 3 4 5 6