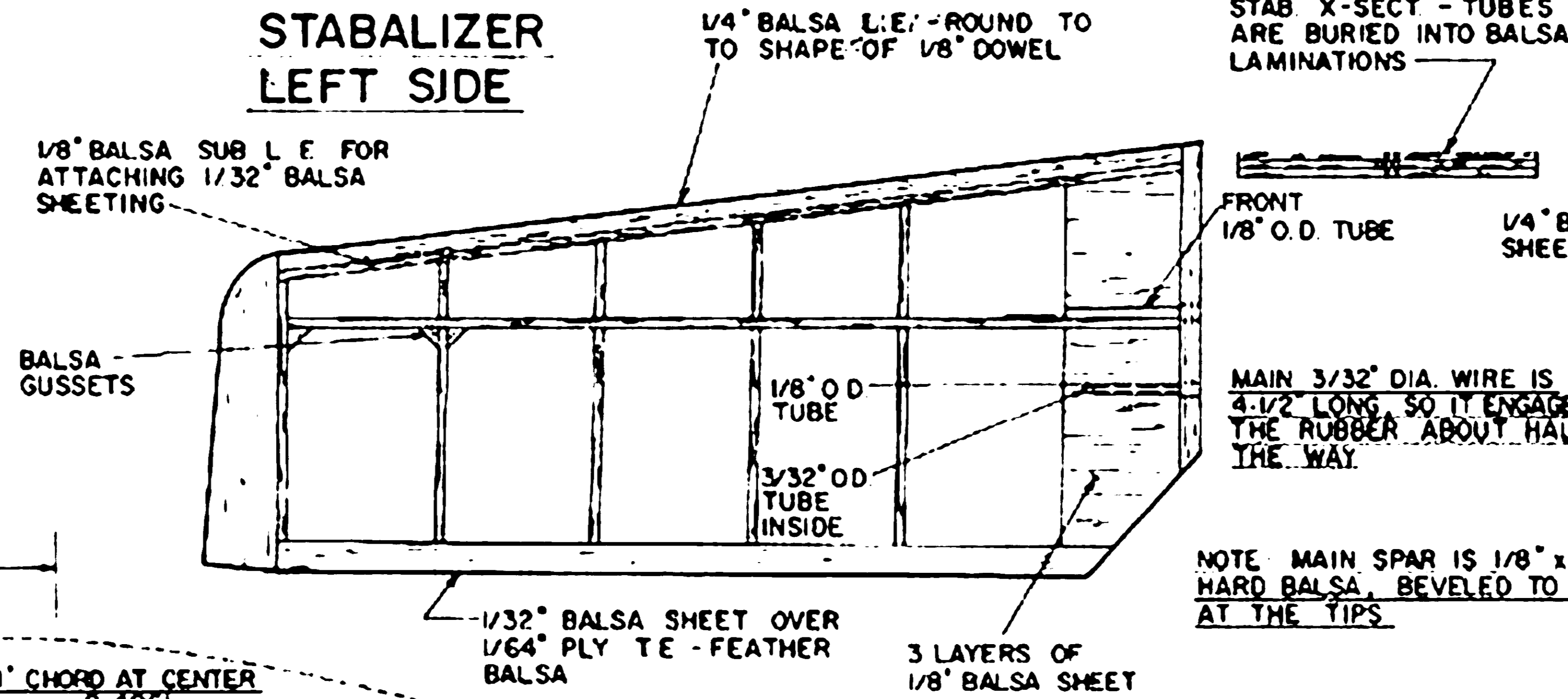


SPECIFICATIONS

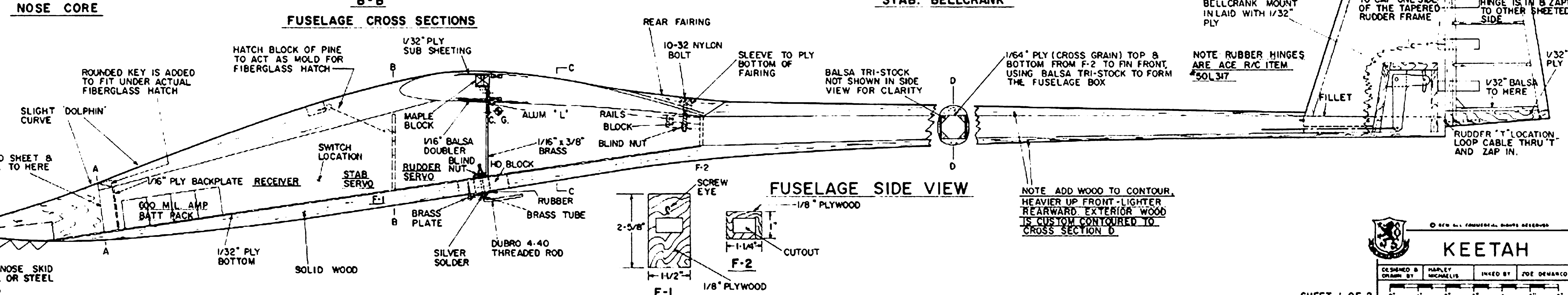
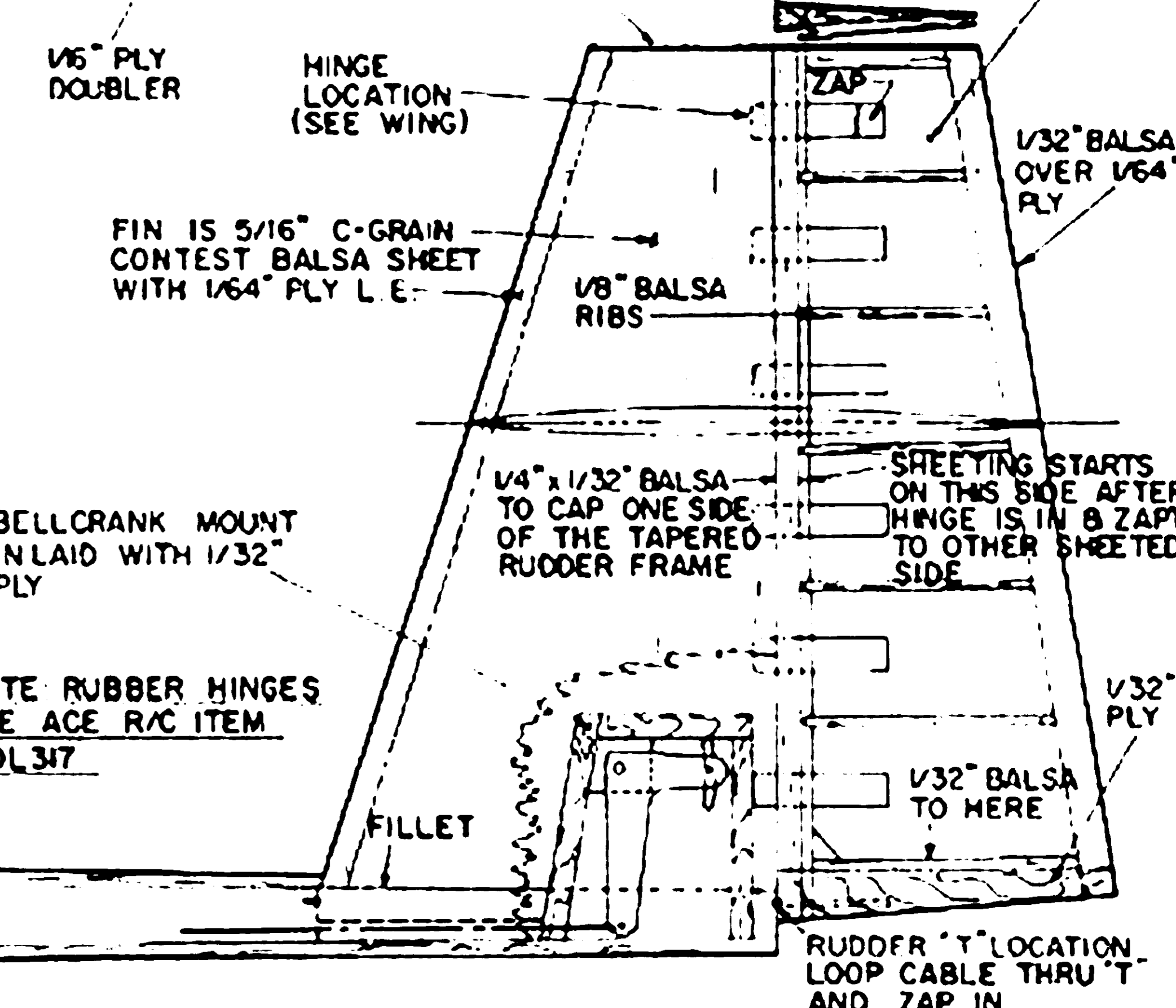
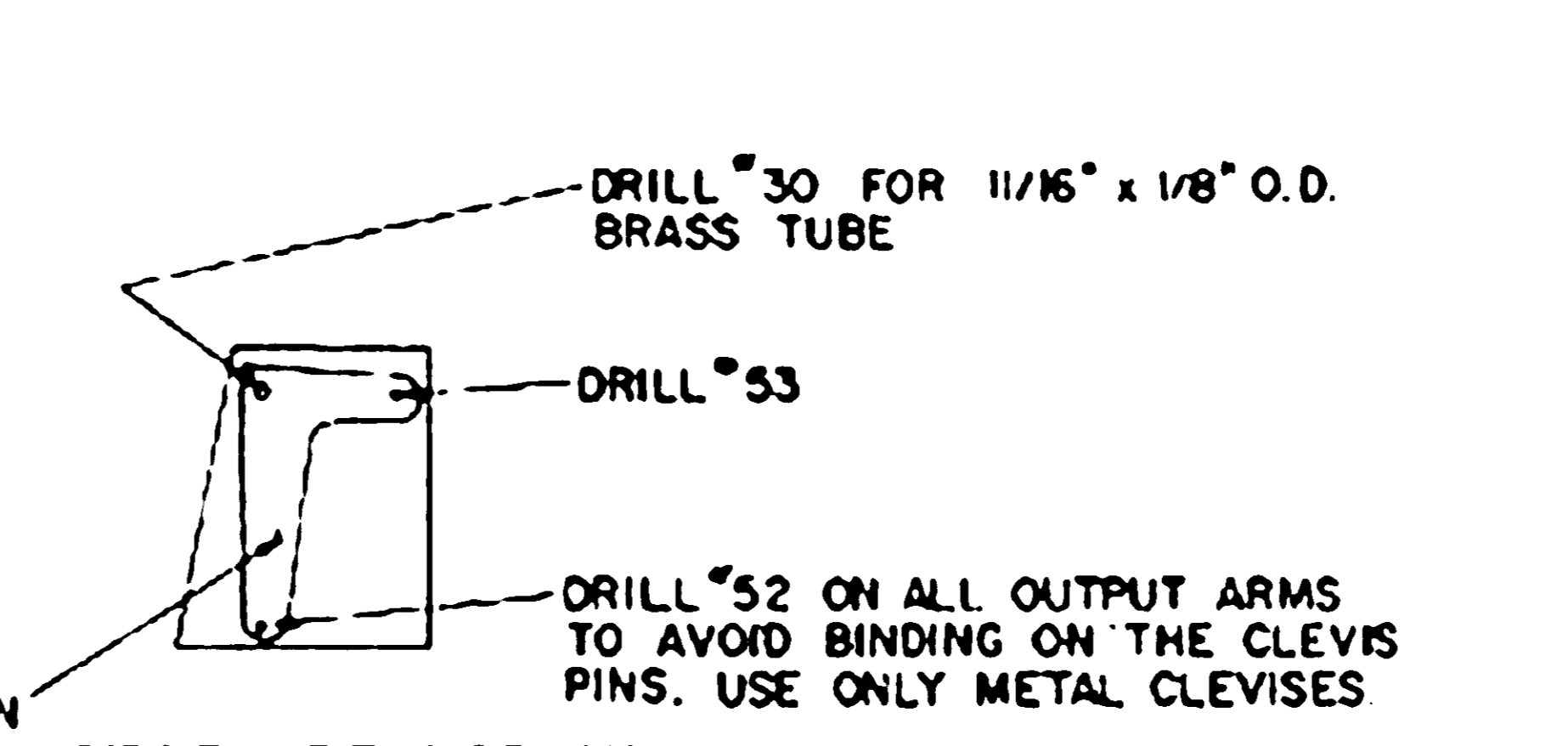
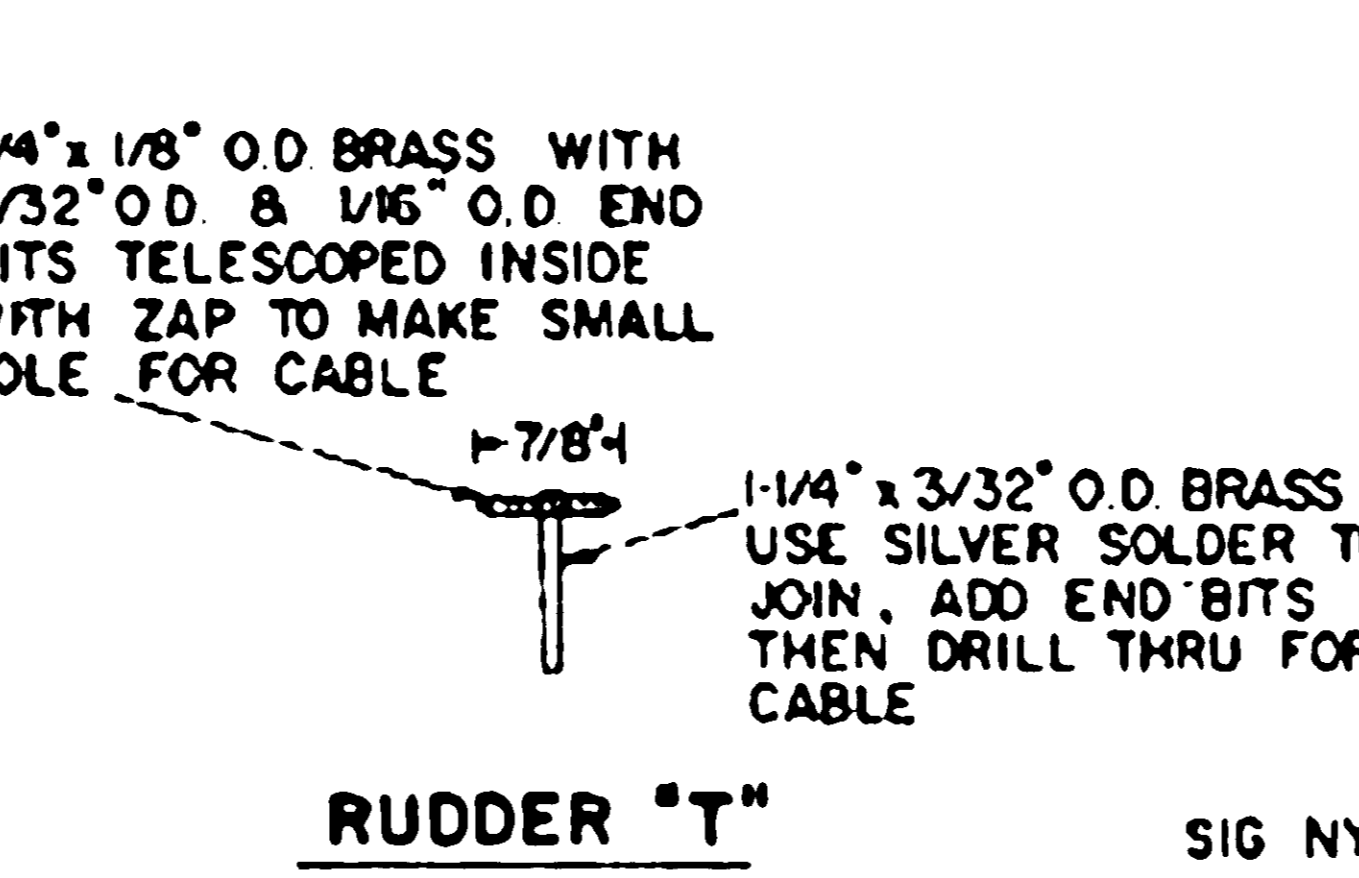
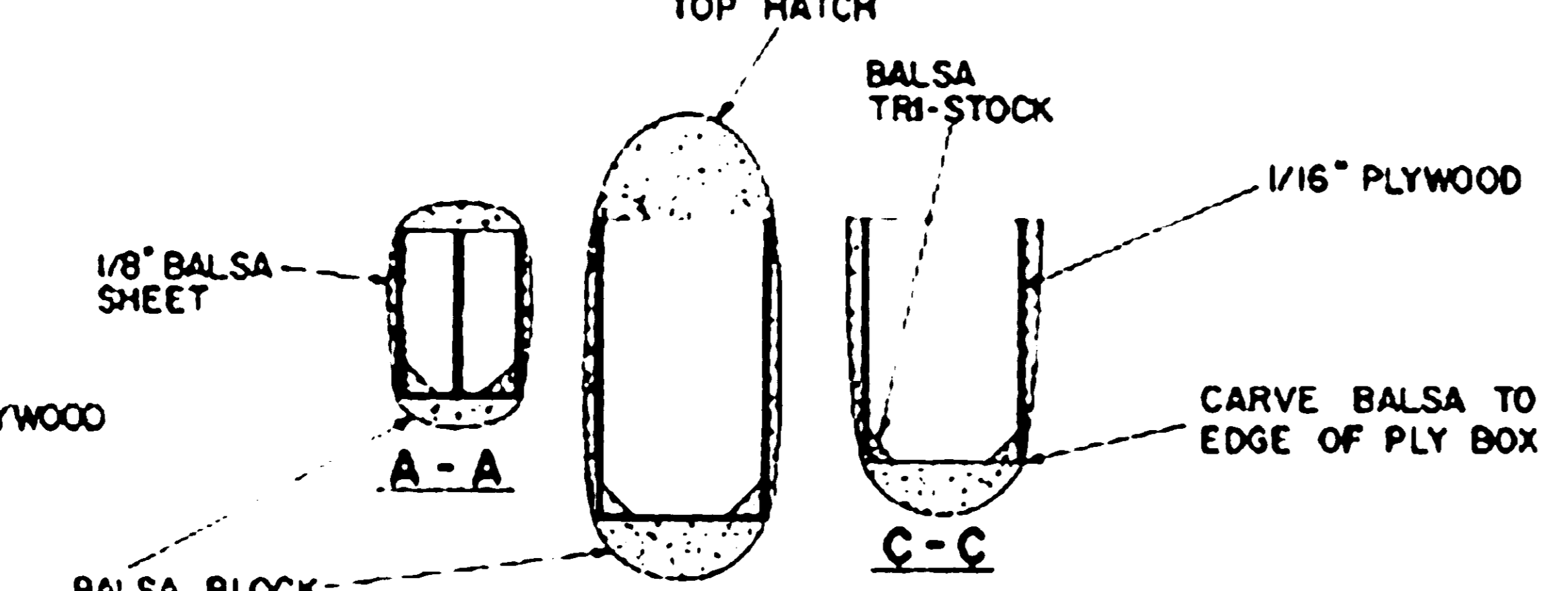
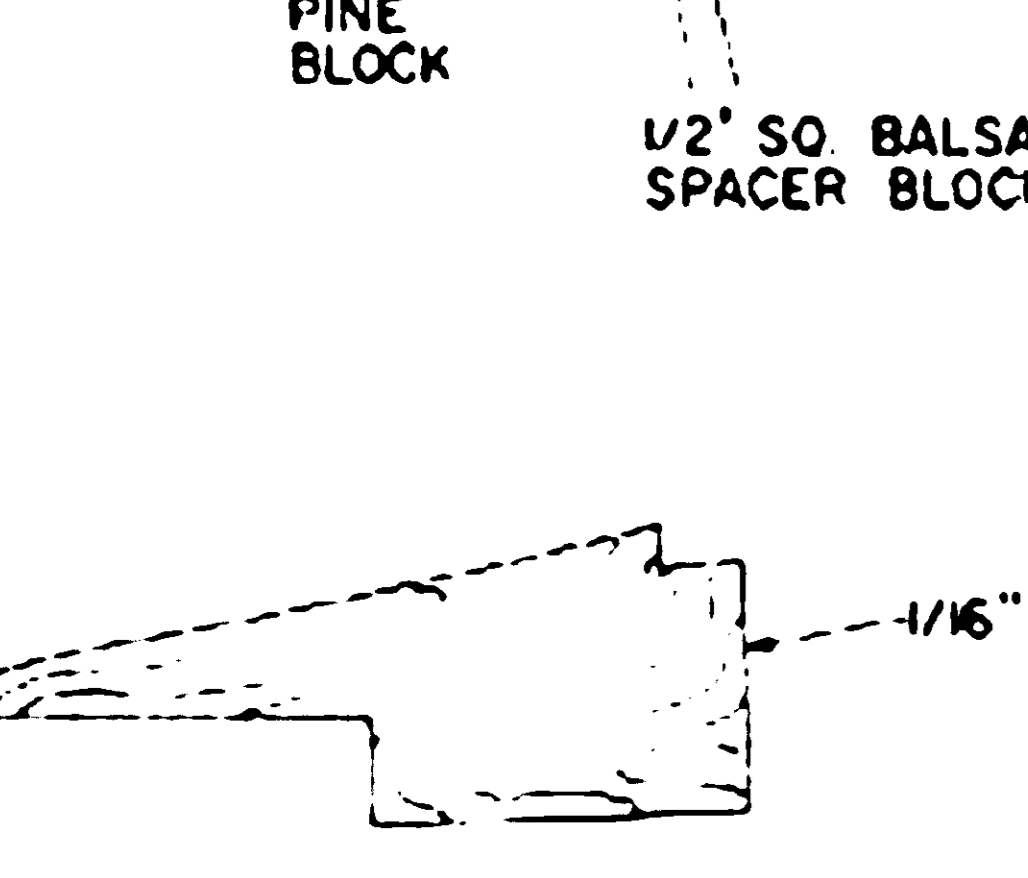
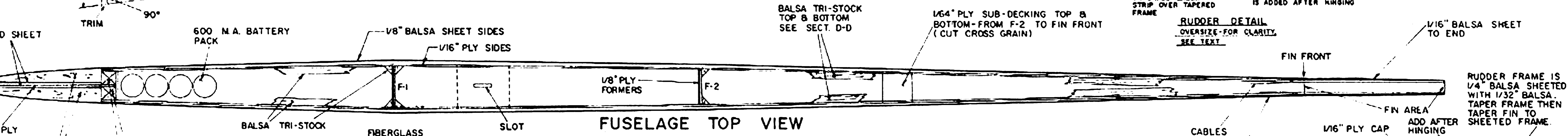
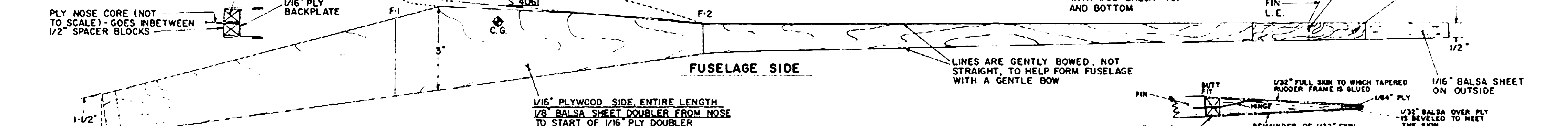
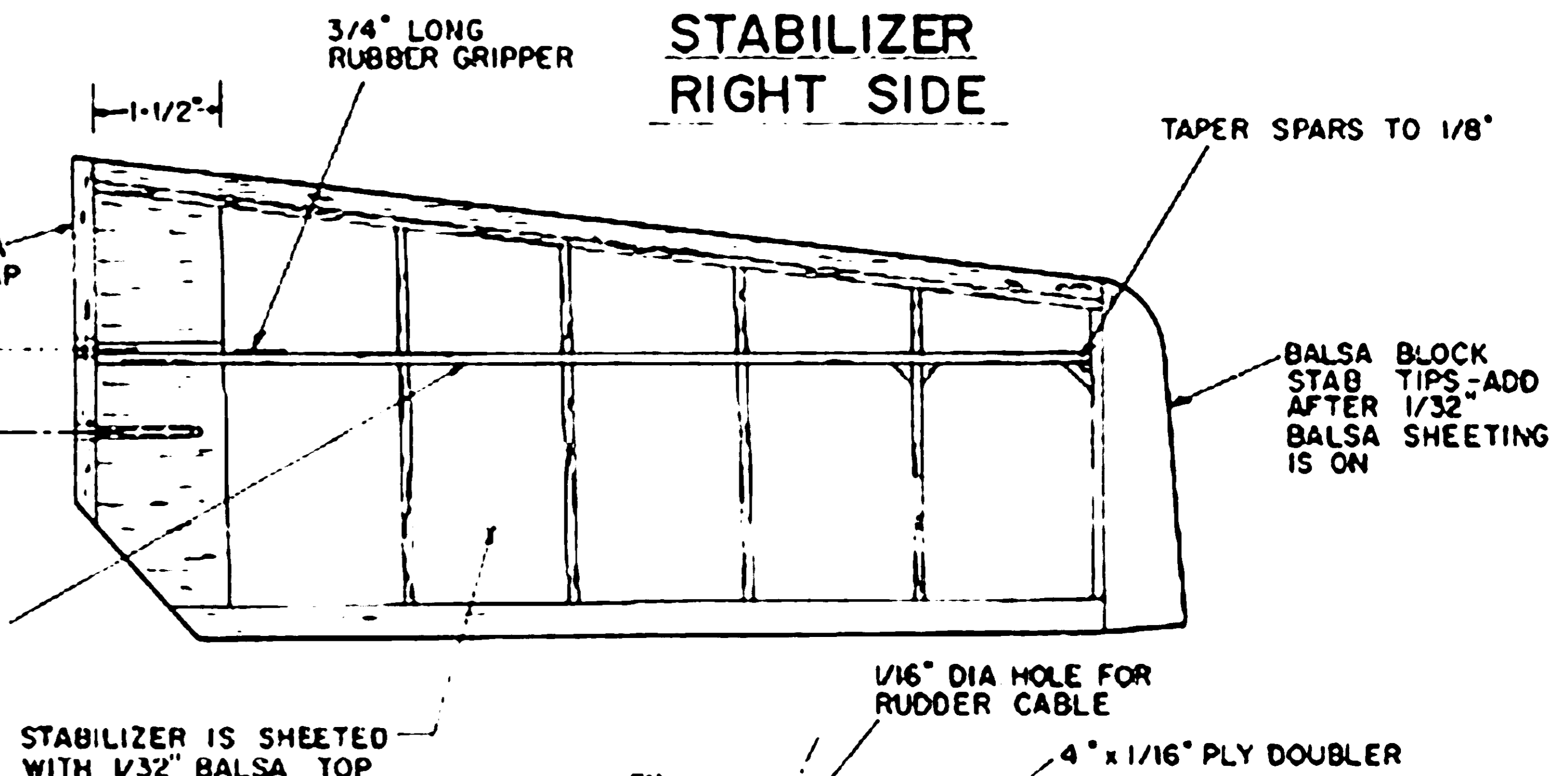
AIRFOIL TYPE	SELIG 4061
WING SPAN	120"
FUSELAGE LENGTH	56-1/4"
WING AREA	1064 SQ IN.
MEAN CHORD	8.667"
ASPECT RATIO	13.84
VERTICAL TAIL AREA	.65 SQ IN.
HORIZONTAL TAIL AREA	118 SQ IN.
CONTROL FUNCTIONS	4 OR 5

NOTE TWO 1/16" PLY SIDES CAN BE CUT FROM HALF OF A 12" x 48" PLY SHEET WITH SOME SHIFTING

STABILIZER LEFT SIDE



STABILIZER RIGHT SIDE



KEETAH
 DESIGNED BY HARVEY MICHAELIS
 INKED BY JOE DEMARCO
 SHEET 1 OF 2
 PLAN NO. 1045

