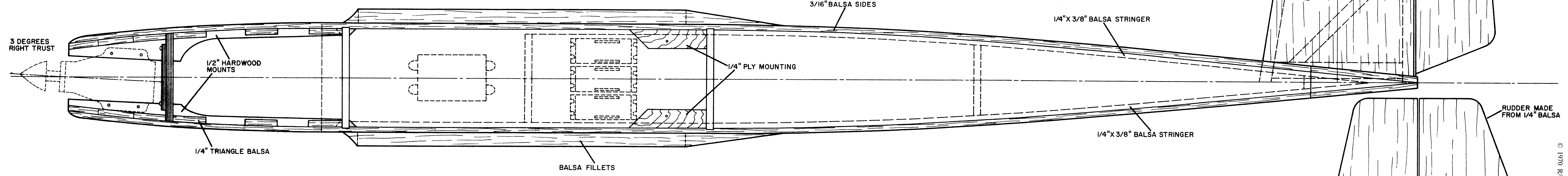
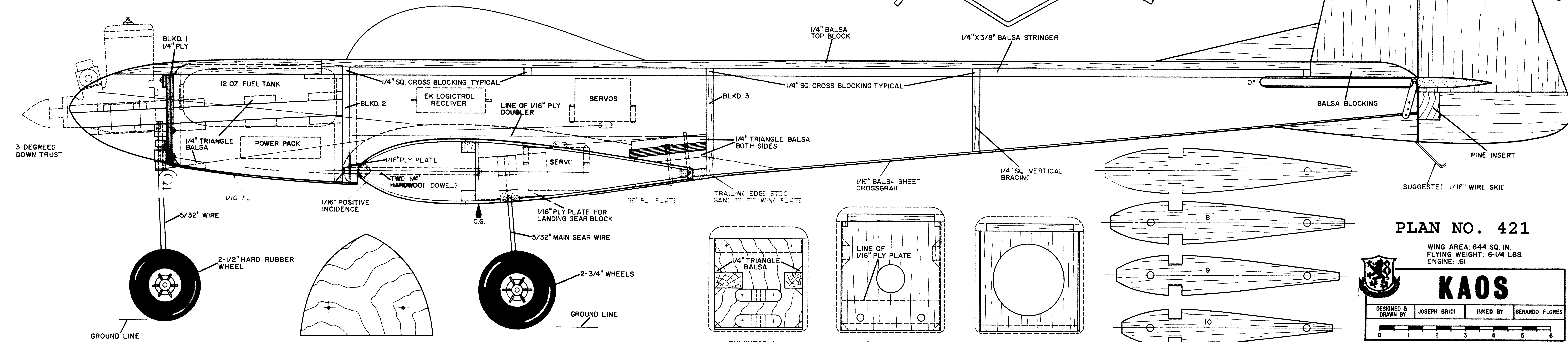


NOTE: CENTER SECTION BUTTS TOGETHER ONLY. NO CENTER DIHEDRAL BRACES ARE NEEDED. CLOTH, GLASS CLOTH, CELASTIC OR OTHER MATERIALS ARE NEEDED TO SUPPORT CENTER. EXTEND MATERIAL AT LEAST 2" EACH SIDE OF CENTER.



K & B VECO .61 W/PERRY CARB.



PLAN NO. 421

WING AREA: 644 SQ. IN.  
 FLYING WEIGHT: 6-1/4 LBS.  
 ENGINE: .61

**KAOS**

DESIGNED & DRAWN BY JOSEPH BRIDI INKED BY GERARDO FLORES

0 1 2 3 4 5 6

© 1970 ITC Modeler Corporation