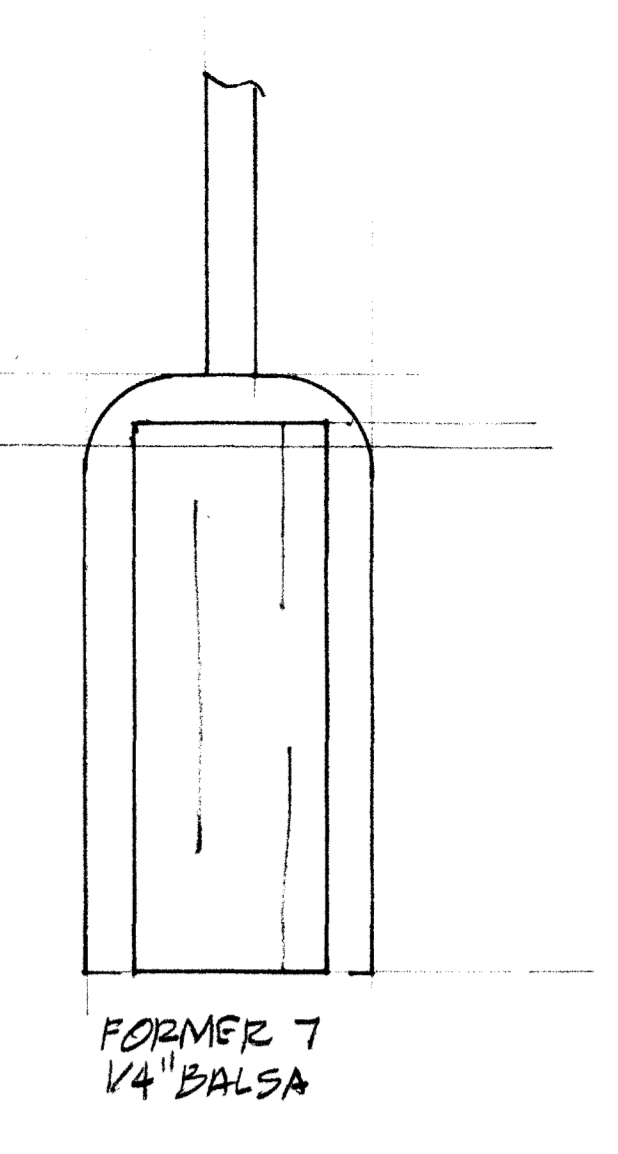
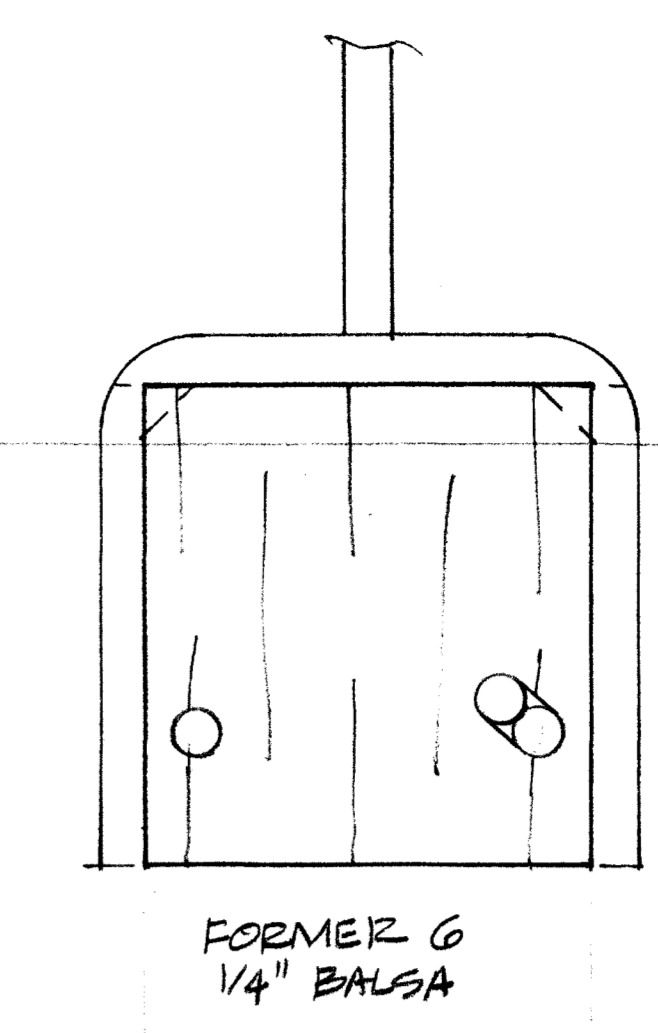
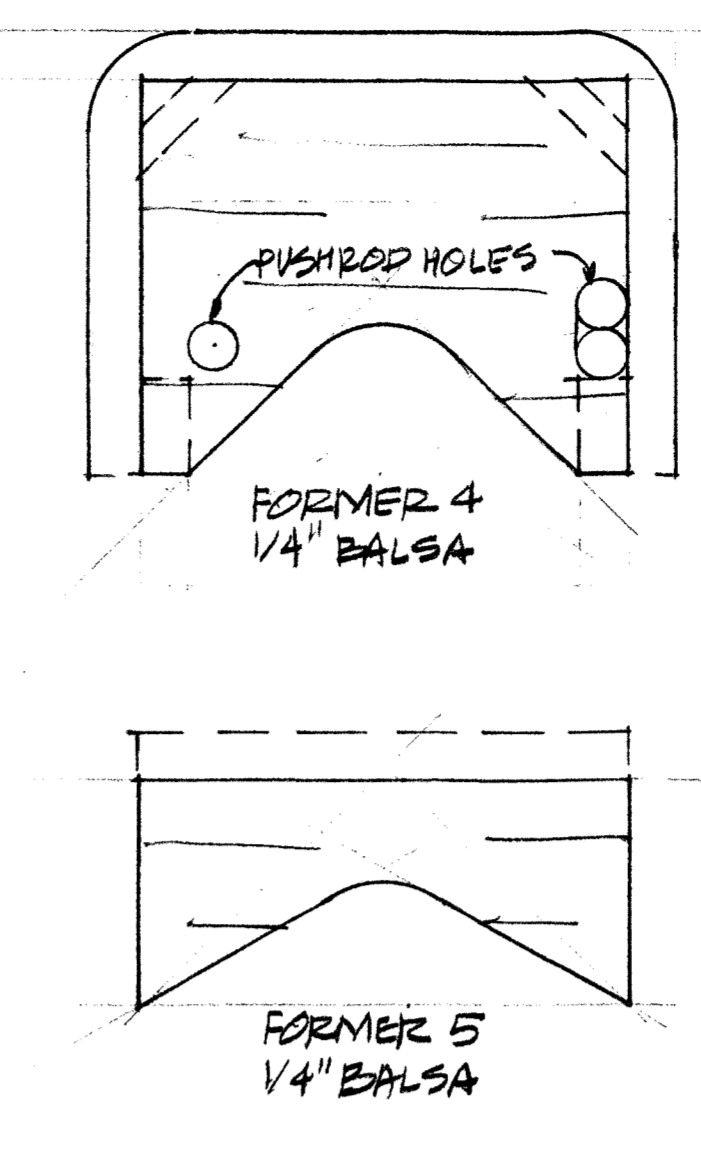
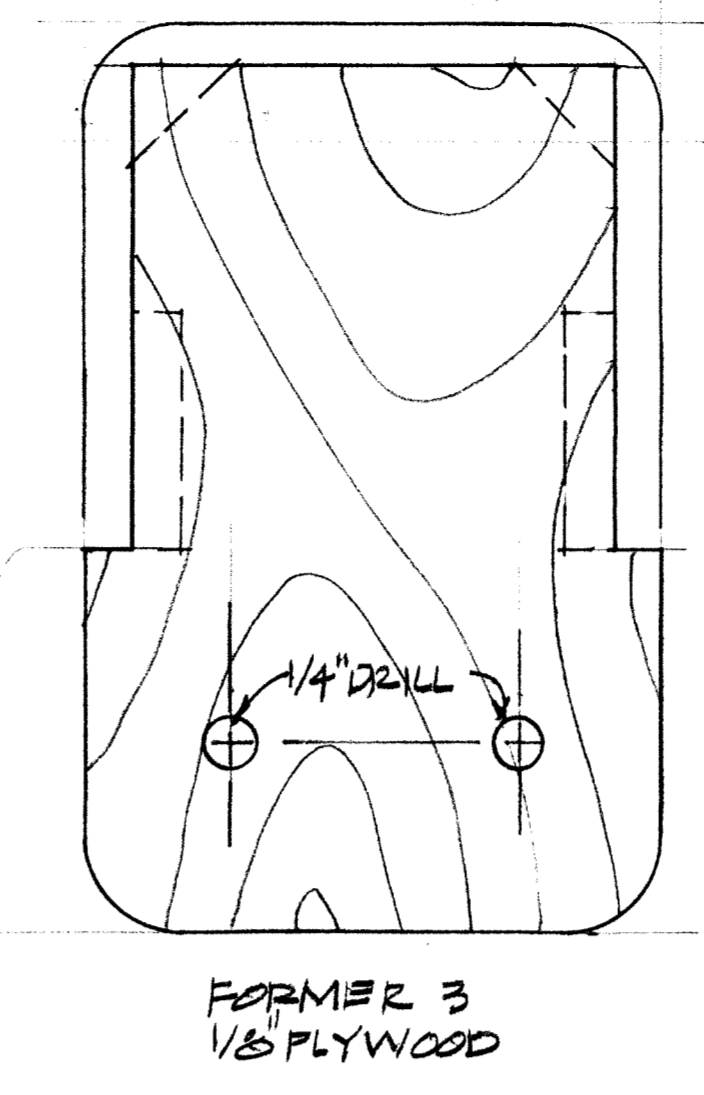
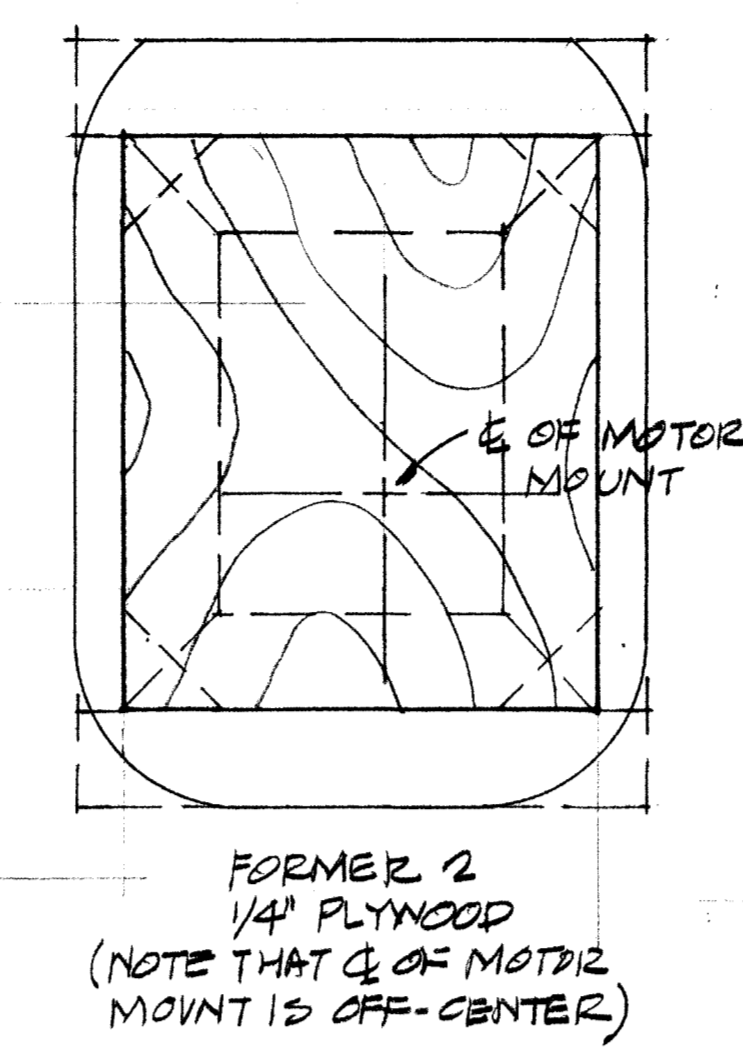
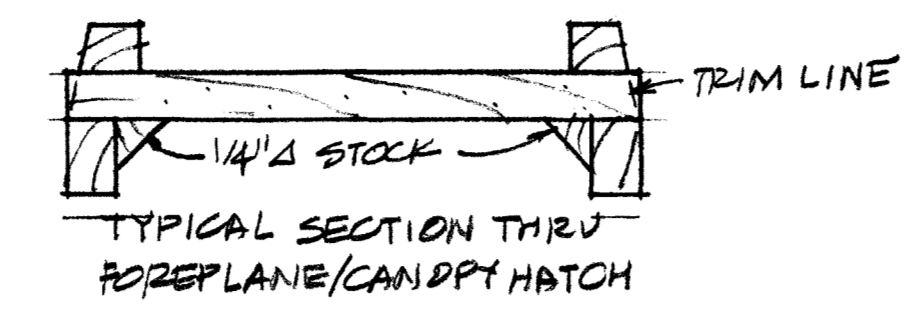
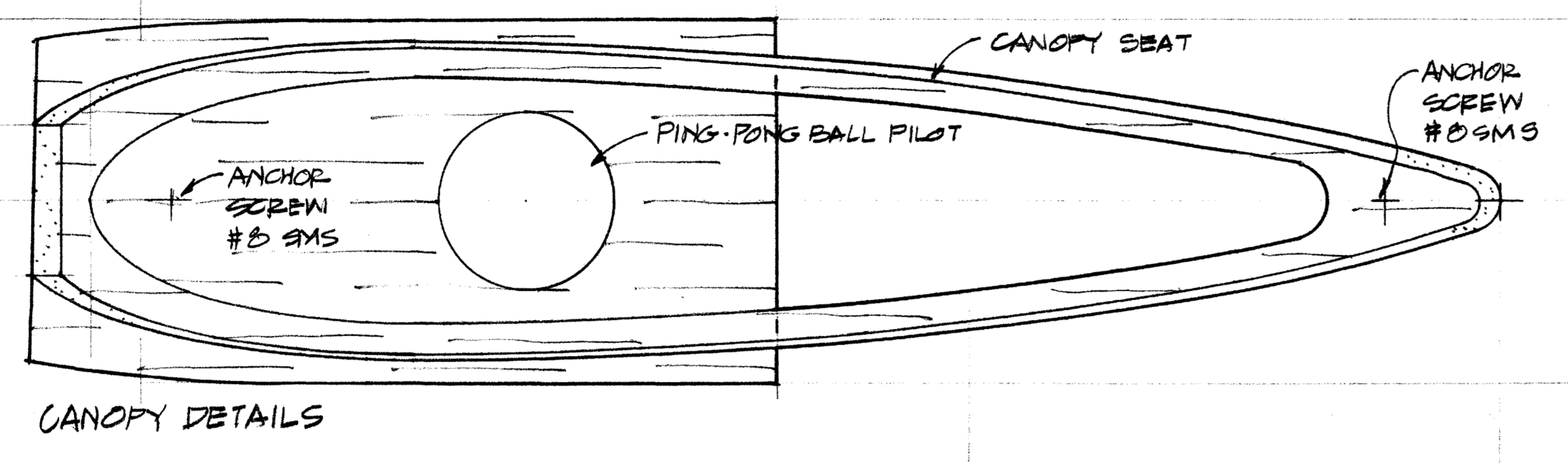
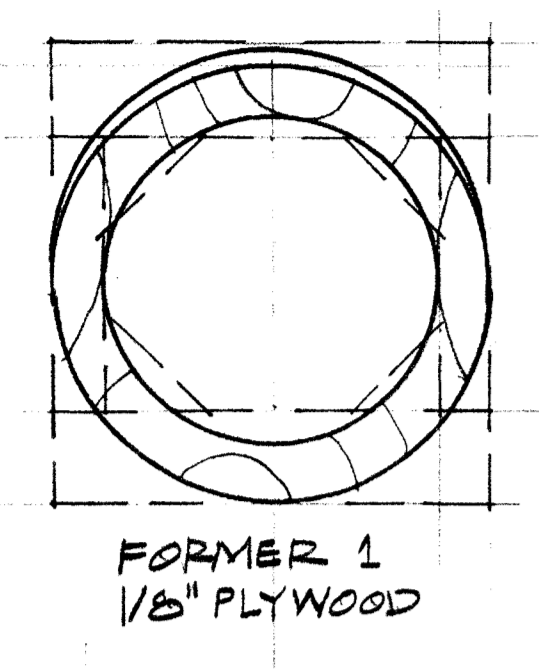
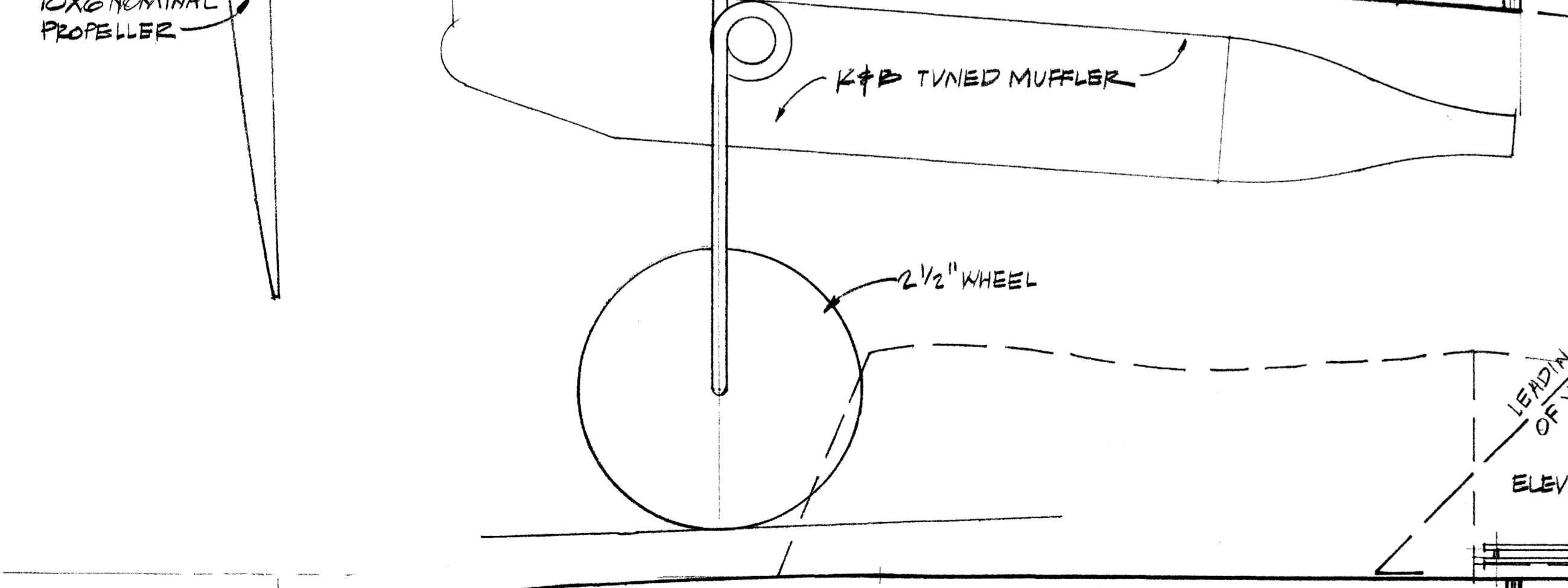
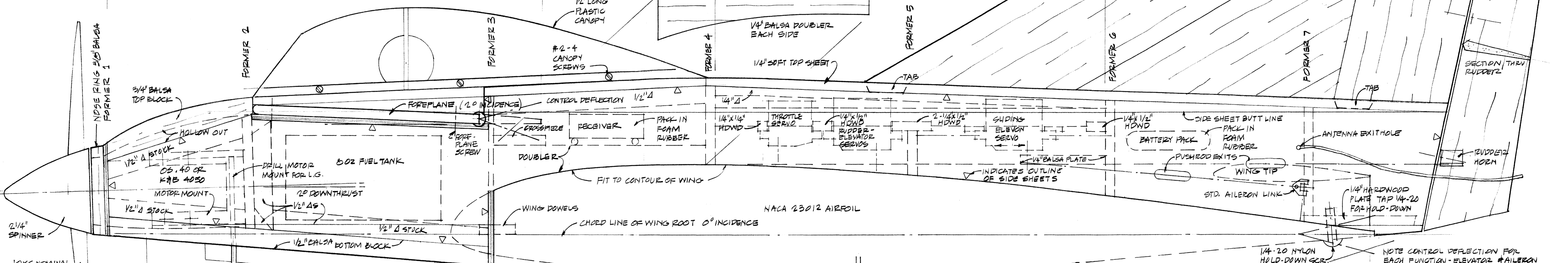
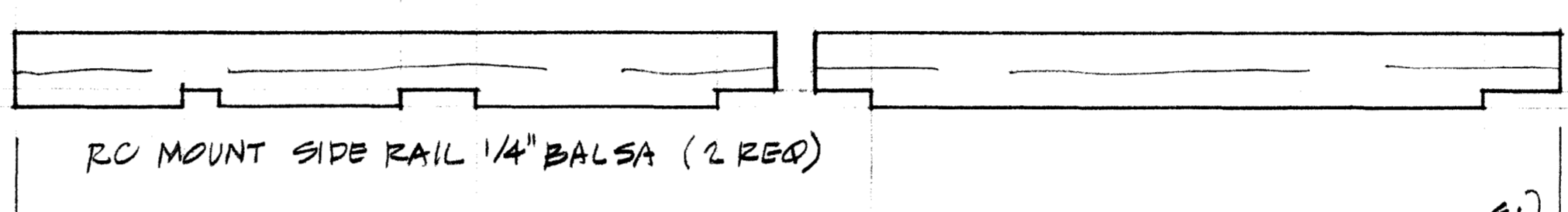
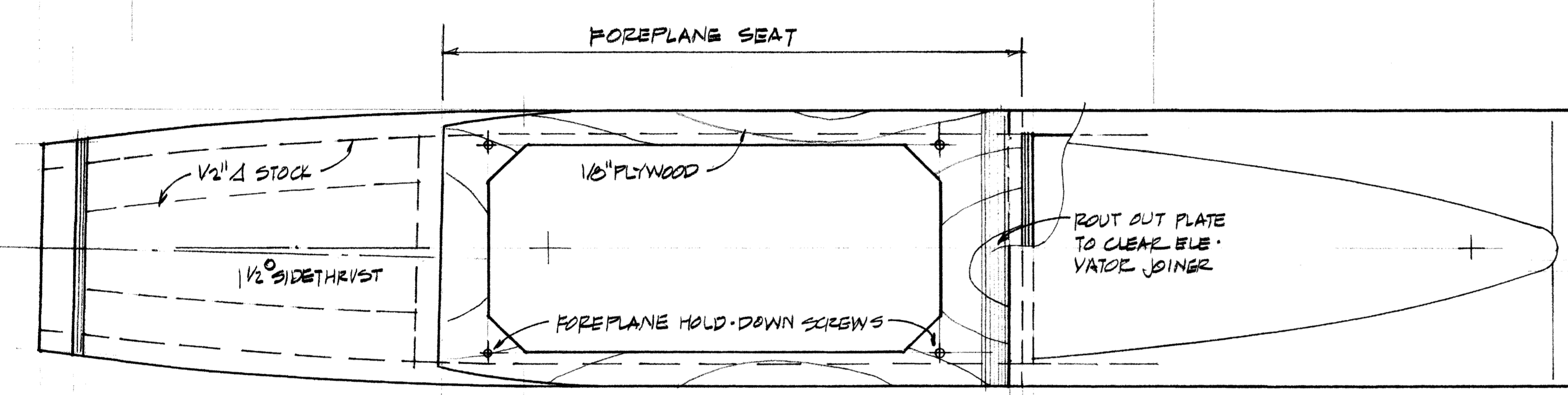


NOTE: OS .40 AND K&B 4050 ENGINES ARE INTERCHANGEABLE. ADD Balsa NOSE RING FOR K&B 4050 INSTALLATION



NOTE: ALL WOOD Balsa UNLESS OTHERWISE SPECIFIED



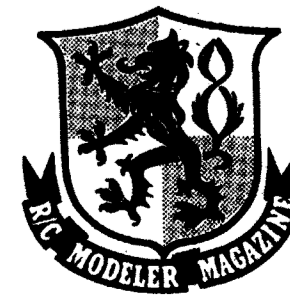
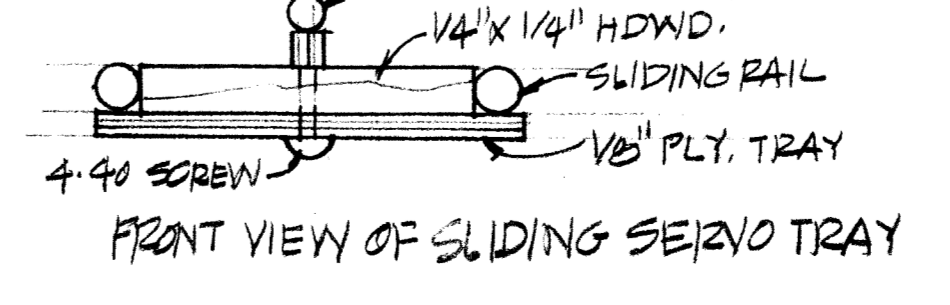
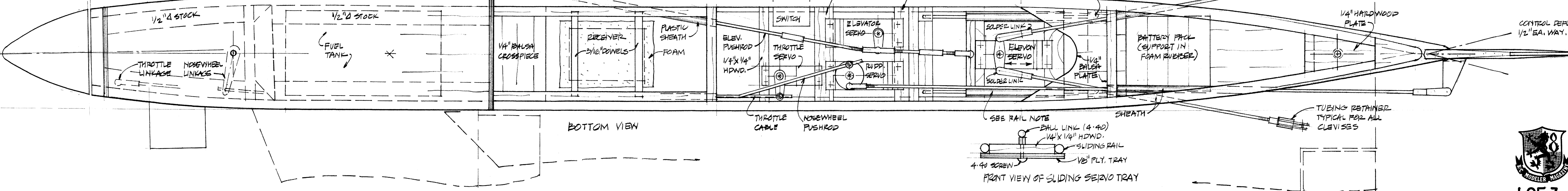
NOTE: AIRTRONICS R/C EQUIPMENT USED

BALANCE POINT DRY

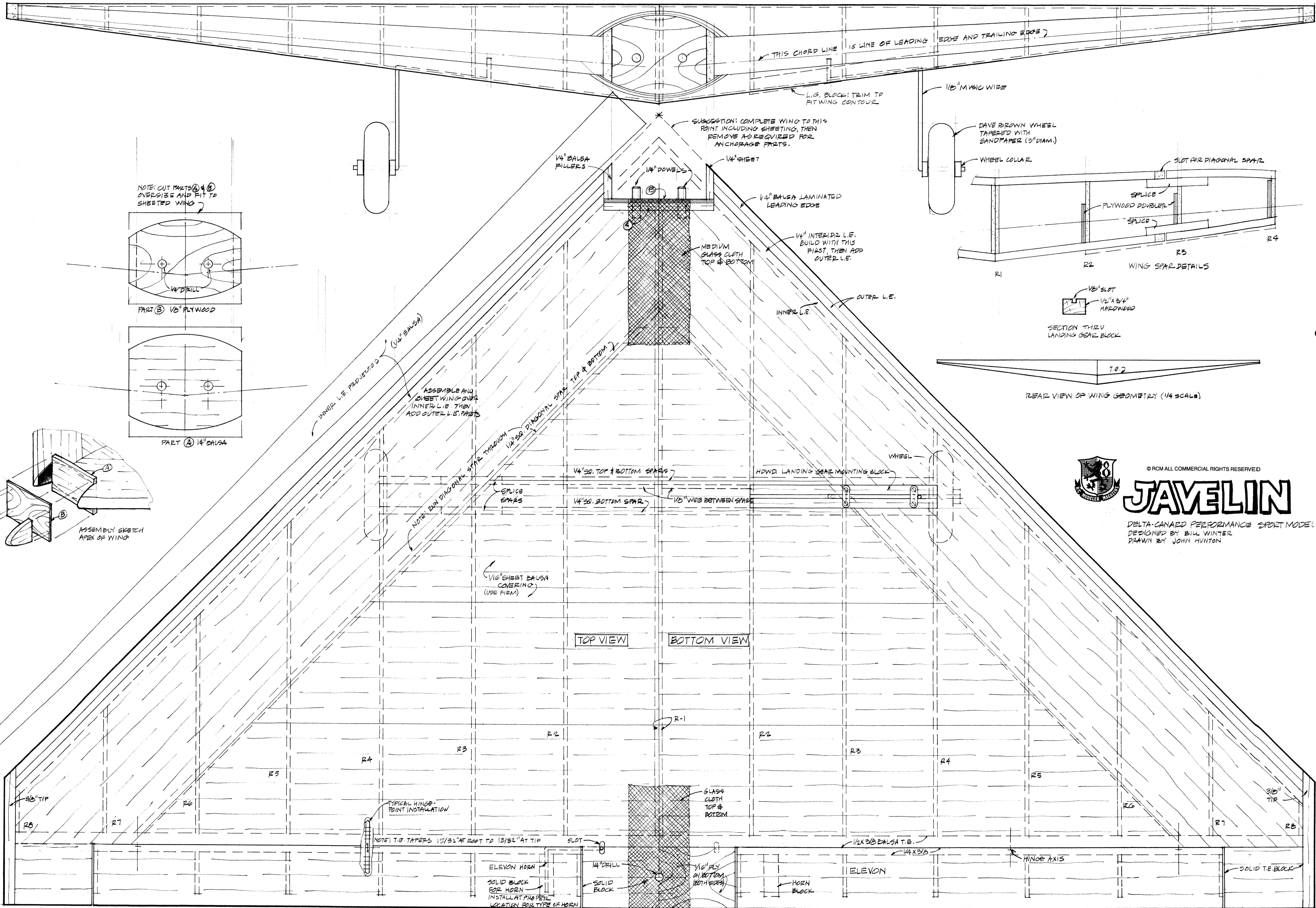
JAVELIN

DELTA-CANARD PERFORMANCE SPORT MODEL DESIGNED BY BILL WINTER DRAWN BY JOHN HUNTON

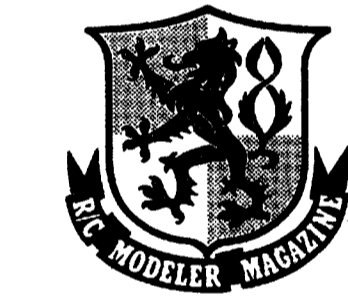
CONTROL DEFLECTIONS:
ELEVATOR: 1/2" EA. WAY FROM NEUTRAL
AILERON: 1/2" EA. WAY FROM NEUTRAL
IMPORTANT NOTE: FOR UP CONTROL ELEVATOR ON FOREPLANE MUST DEFLECT DOWN AND ELEVON MUST DEFLECT UP.



SUGGESTION: BUILD WING TOP SIDE DOWN



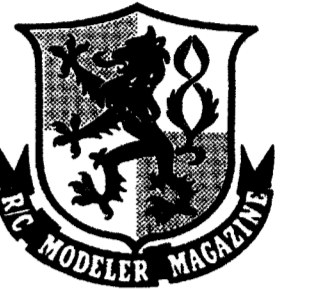
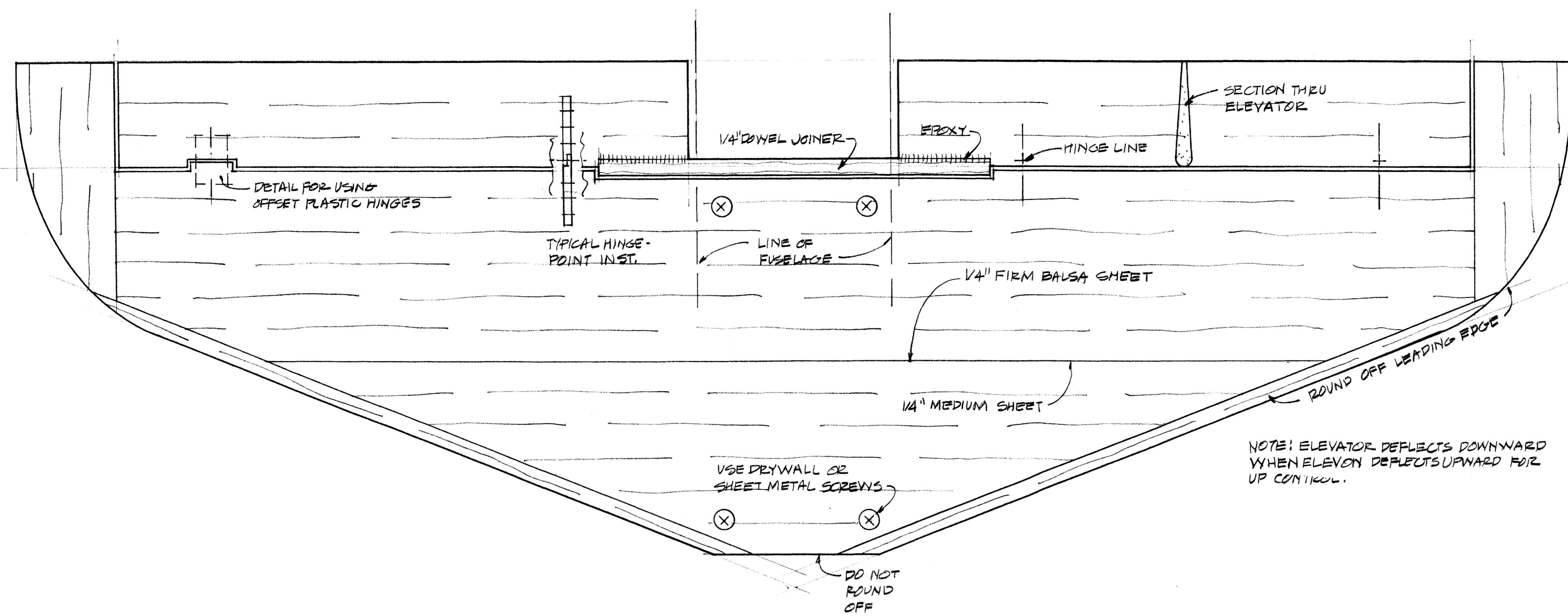
REAR VIEW OF WING GEOMETRY (1/4 SCALE)



© RCM ALL COMMERCIAL RIGHTS RESERVED

JAVELIN

DELTA-CANARD PERFORMANCE SPORT MODEL
DESIGNED BY BILL WINTER
DRAWN BY JOHN HUNTON



© RCM ALL COMMERCIAL RIGHTS RESERVED

JAVELIN

DELTA CANARD PERFORMANCE SPORT MODEL
 DESIGNED BY BILL WINTERZ
 DRAWN BY JOHN HUNTON

