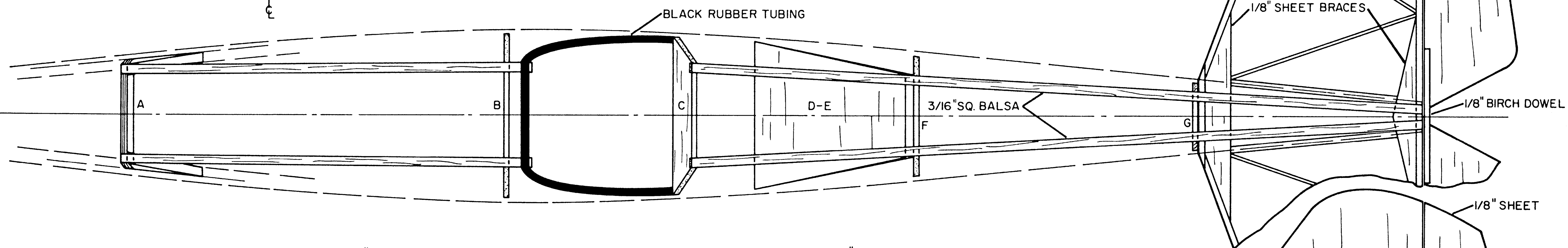


1/8" SHEET Balsa TIPS & GUSSETS

RIB 8 USE SIDE VIEW

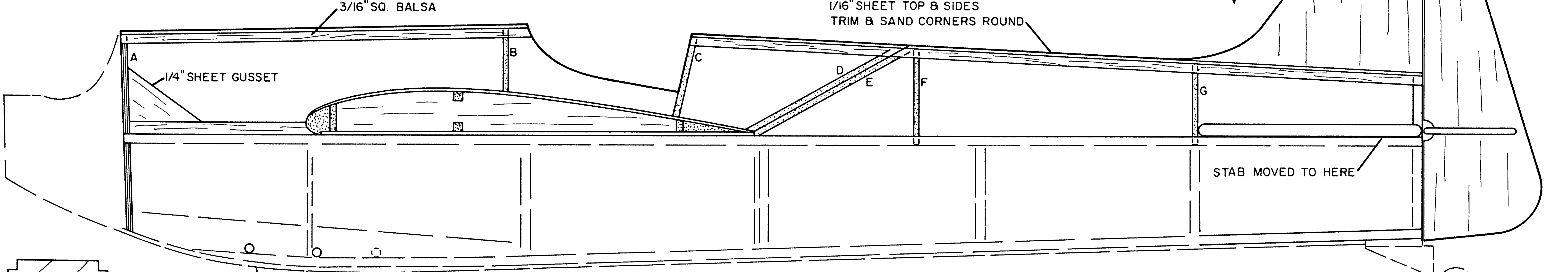


BLACK RUBBER TUBING

1/8" SHEET BRACES

3/16" SQ. Balsa

1/8" BIRCH DOWEL

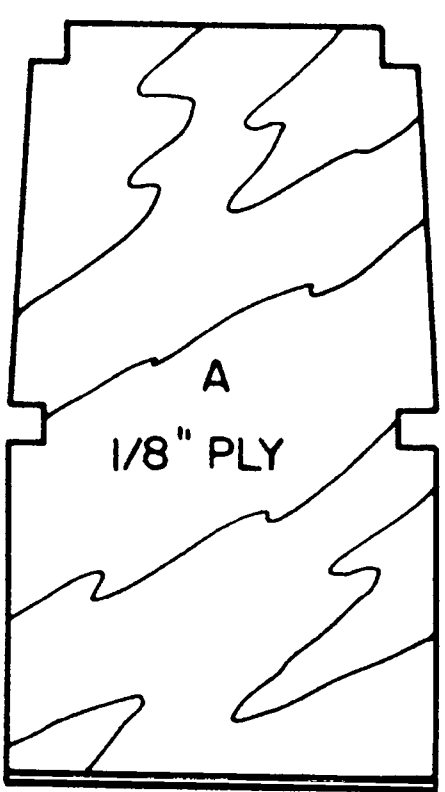


3/16" SQ. Balsa

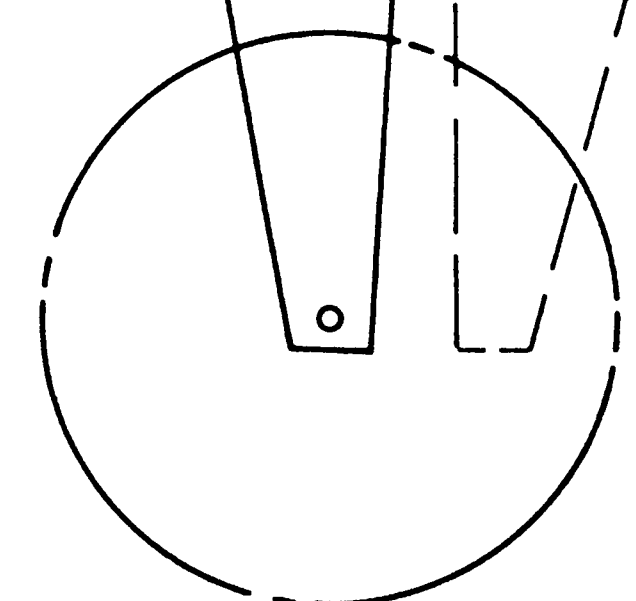
1/16" SHEET TOP & SIDES
TRIM & SAND CORNERS ROUND

1/4" SHEET GUSSET

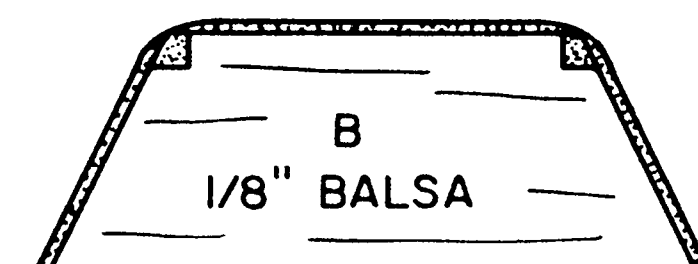
STAB MOVED TO HERE



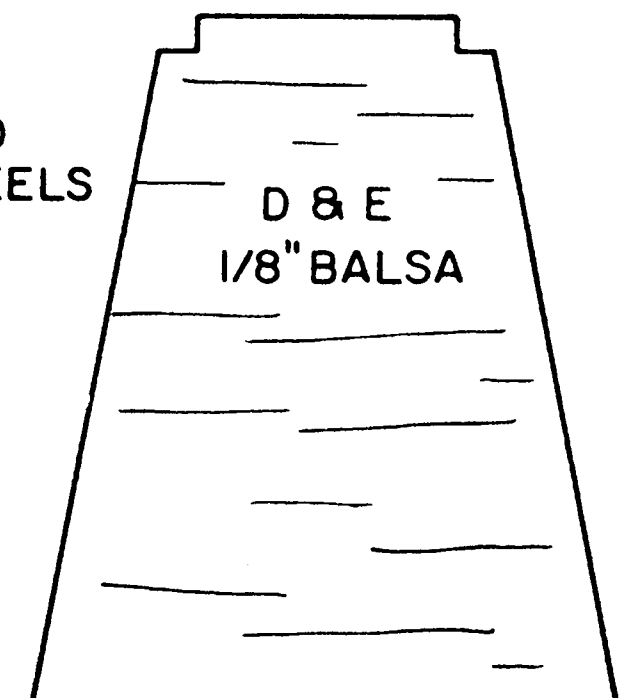
A
1/8" PLY



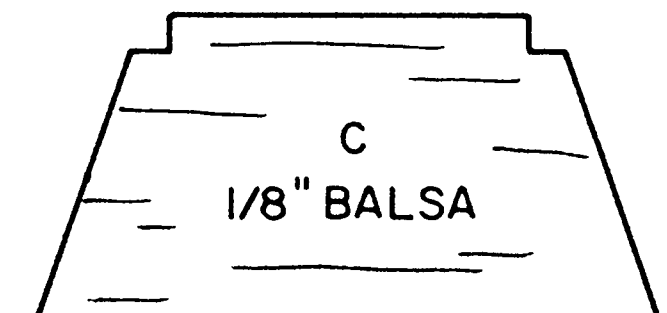
LANDING GEAR MOVED AHEAD
APPROX. 3" DIA. VINTAGE WHEELS



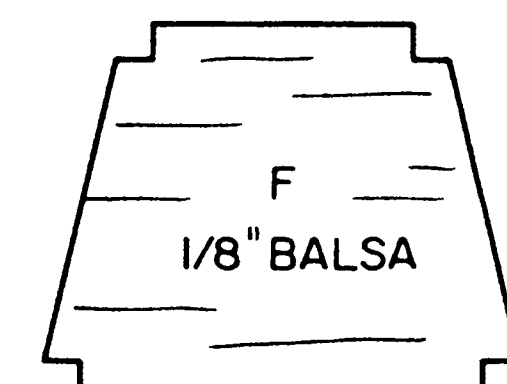
B
1/8" Balsa



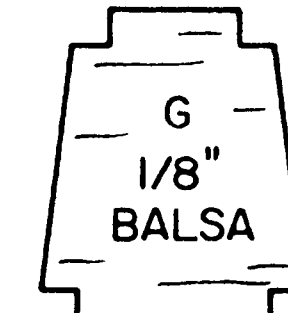
D & E
1/8" Balsa



C
1/8" Balsa

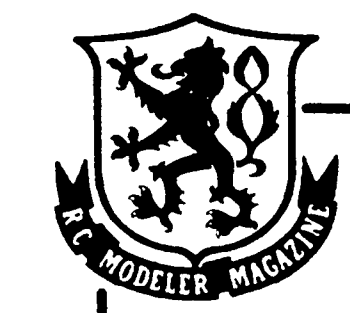


F
1/8" Balsa



G
1/8" Balsa

SOLID LINES SHOW MODIFICATIONS
TO TOP FLITE'S "TOP DAWG"



By H.E

HOT DAWG

DESIGNED BY R. B. LOVEJOY DRAWN BY DICK KIDD

