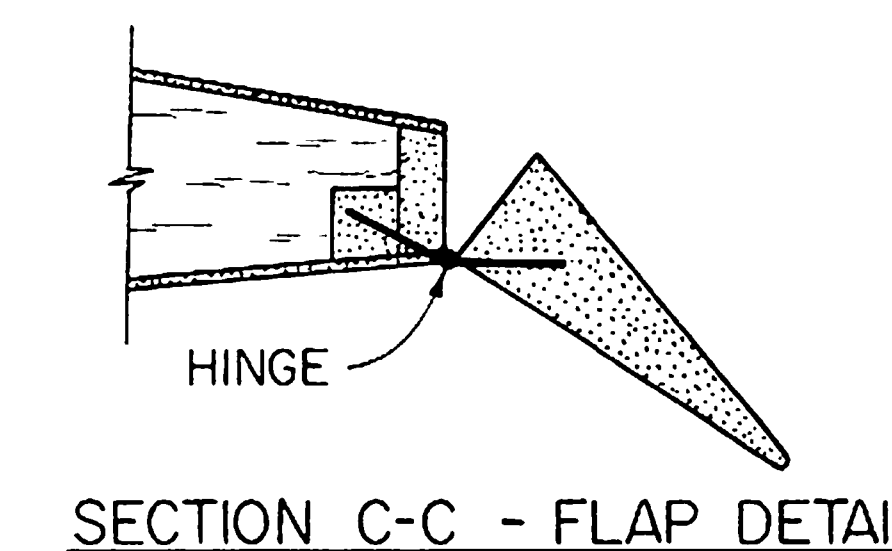
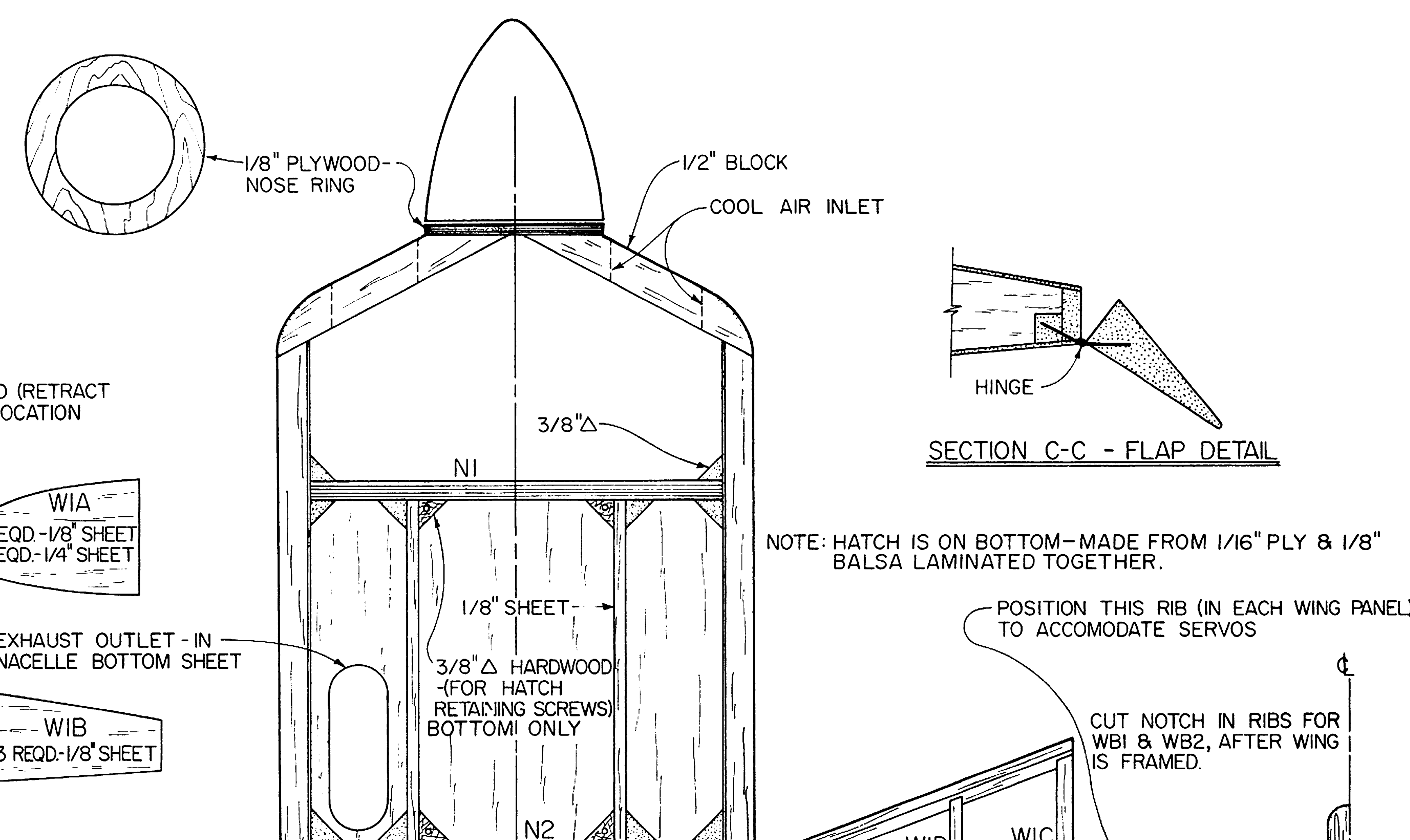
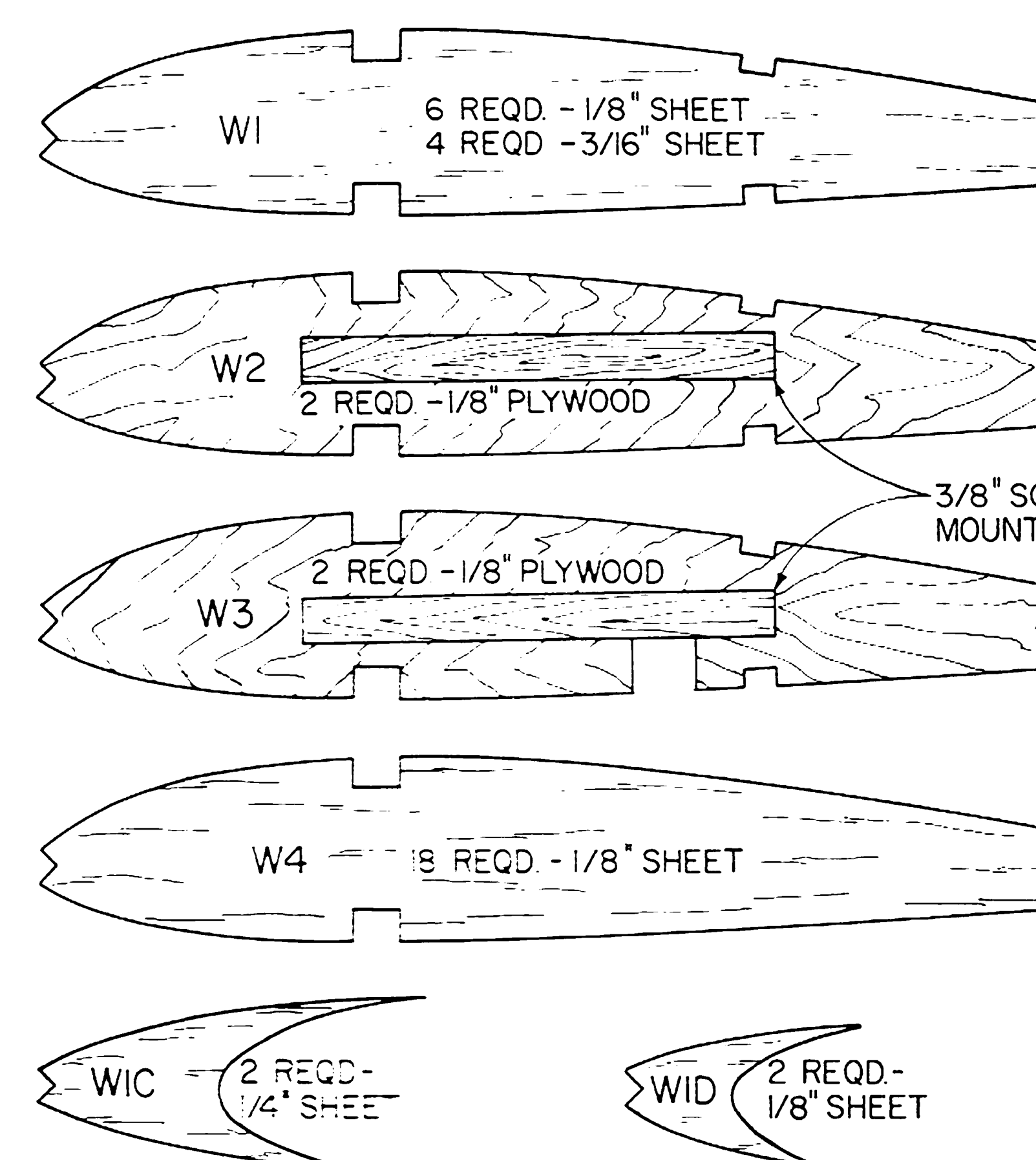
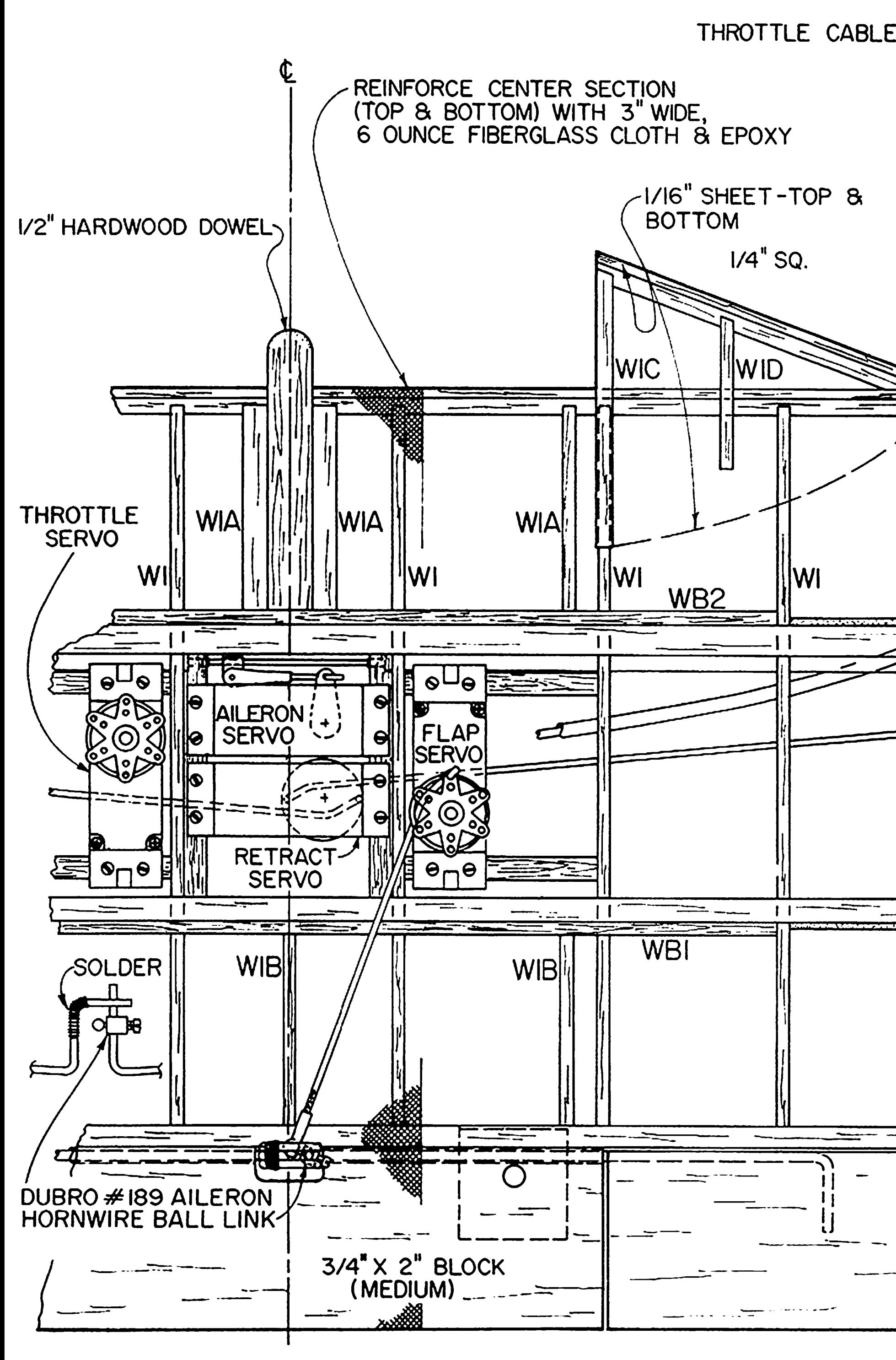
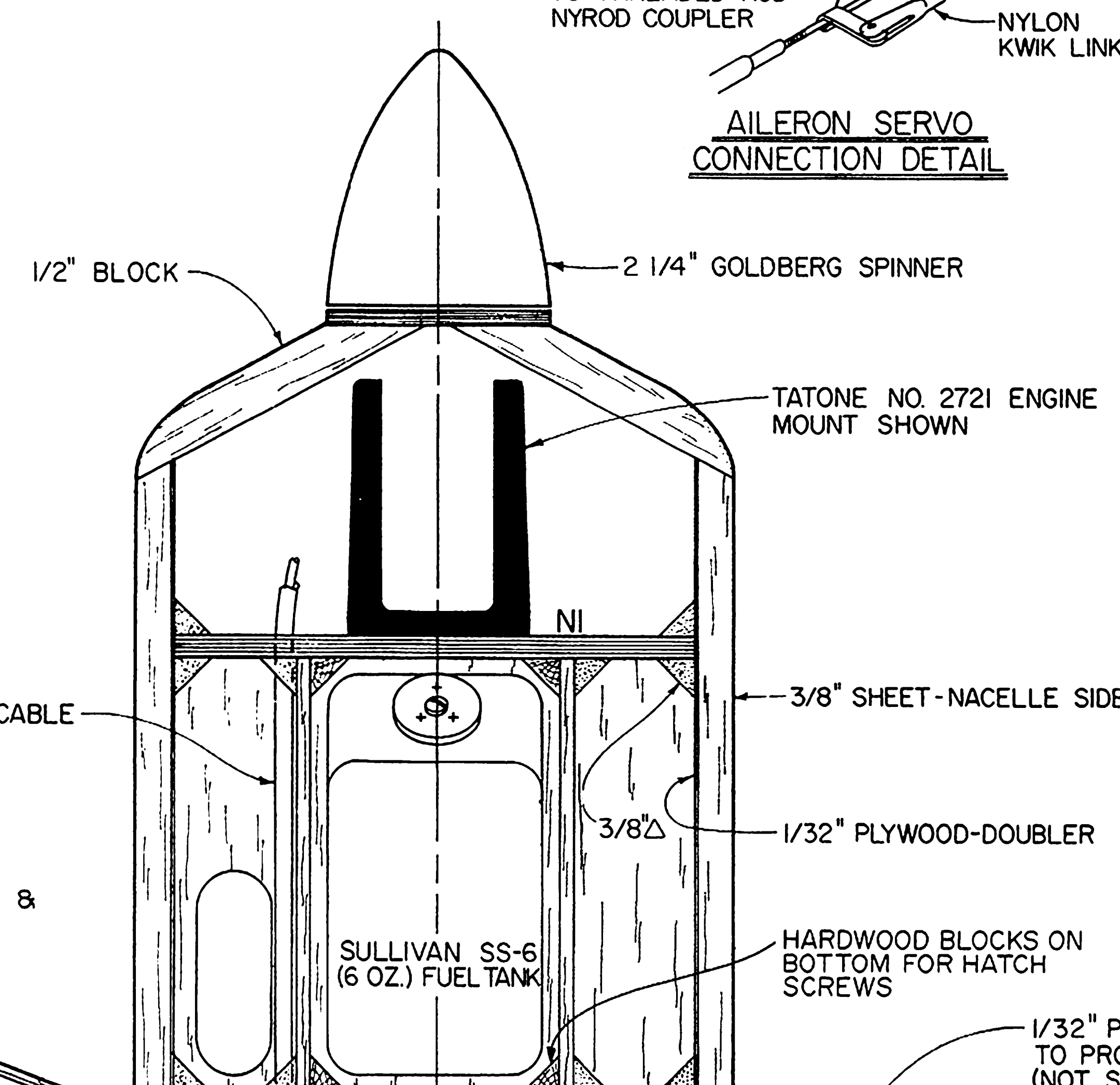
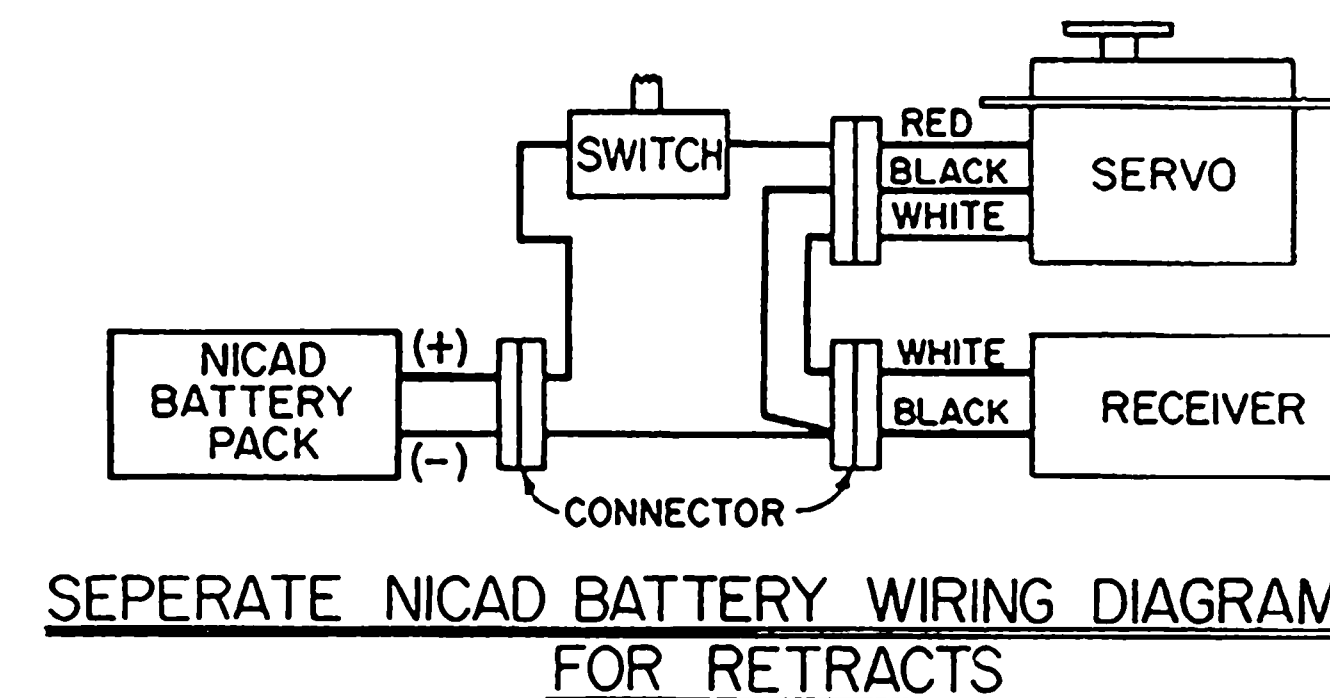
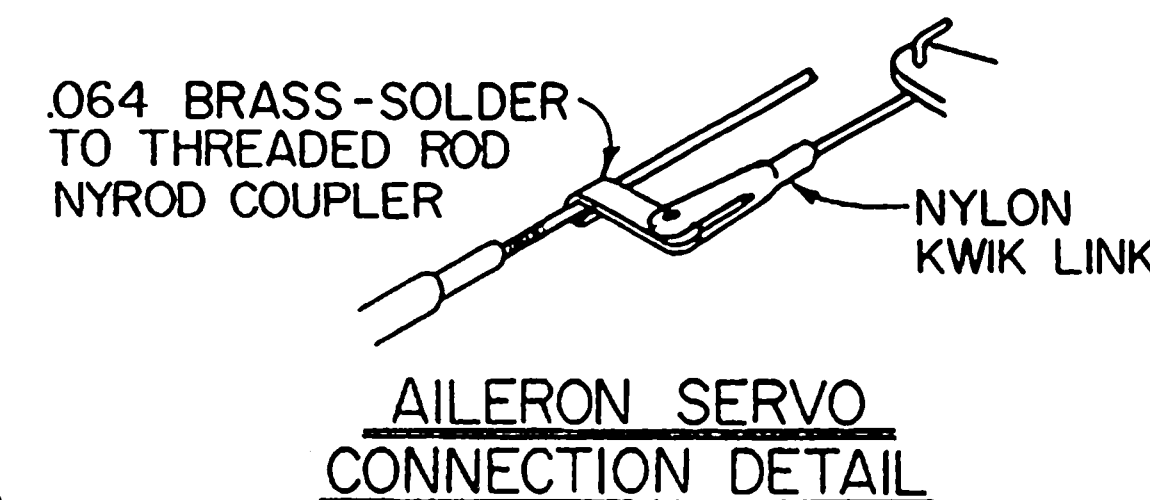
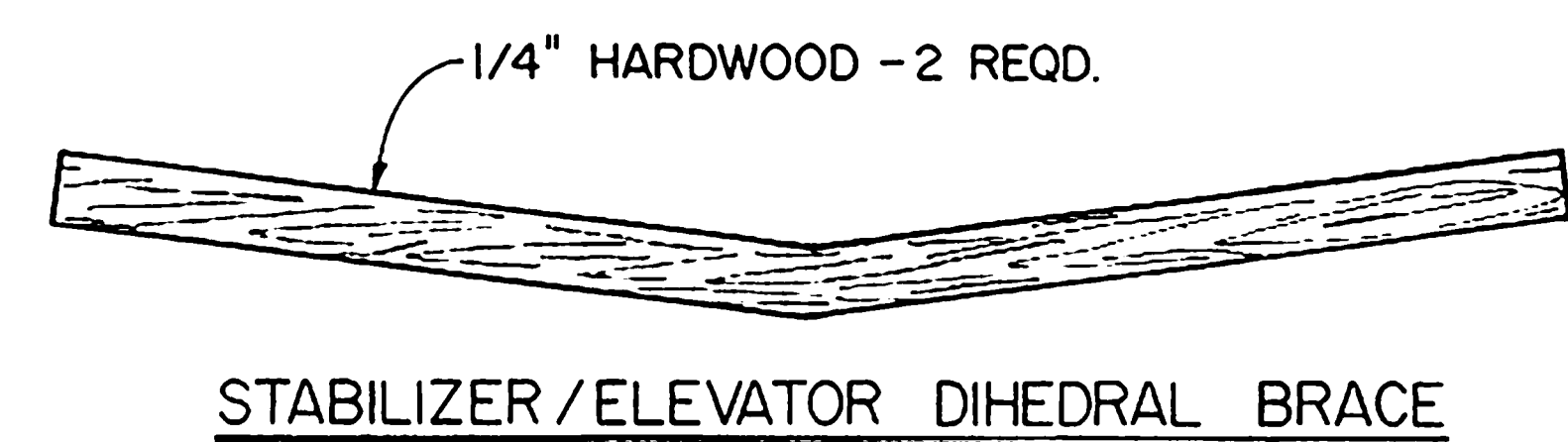
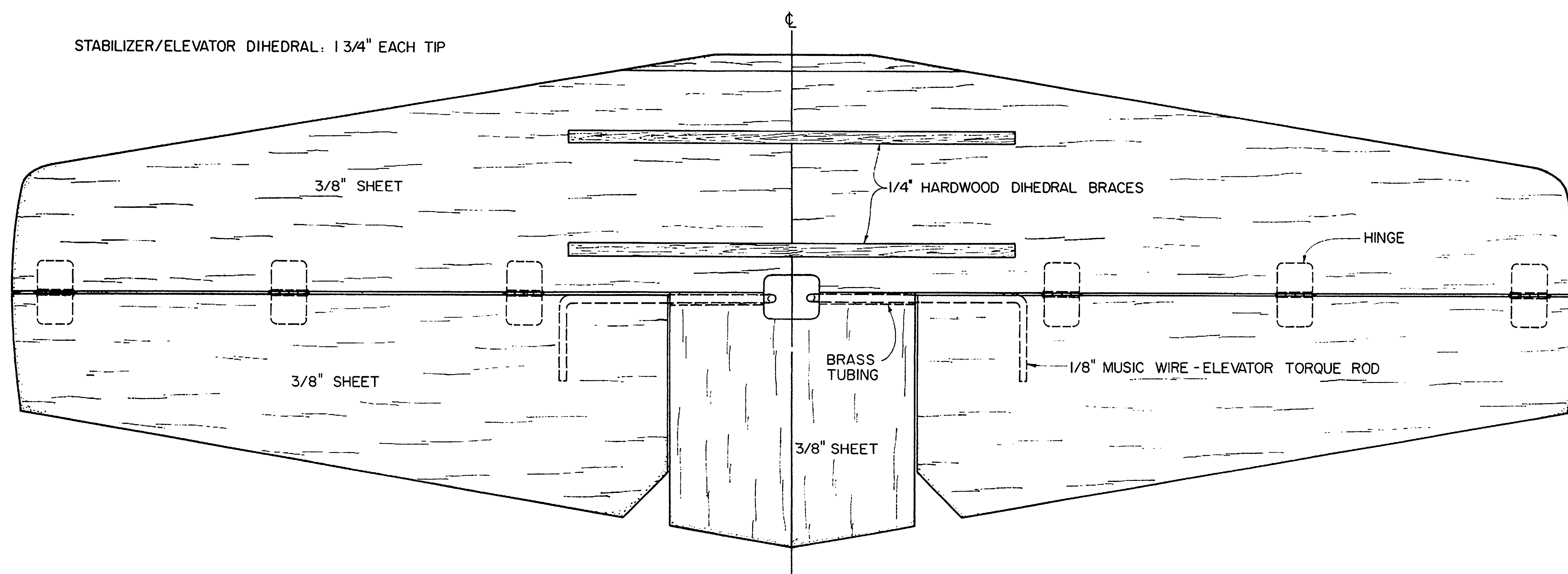




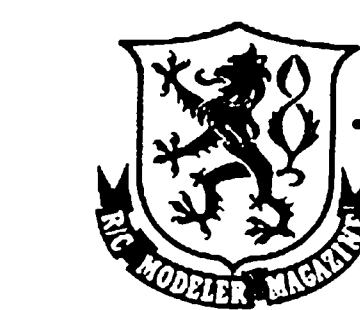
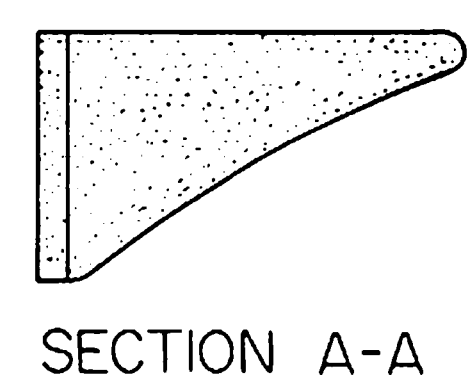
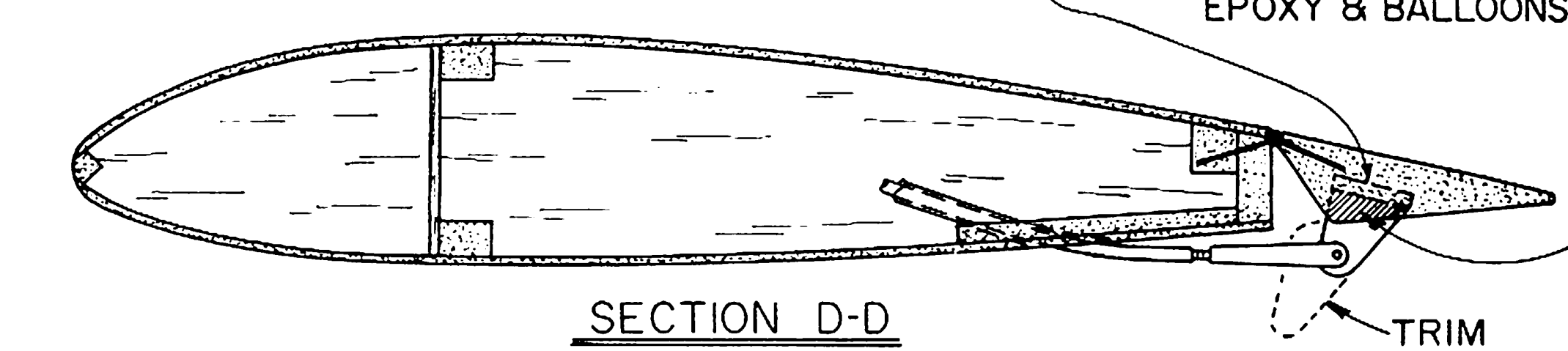
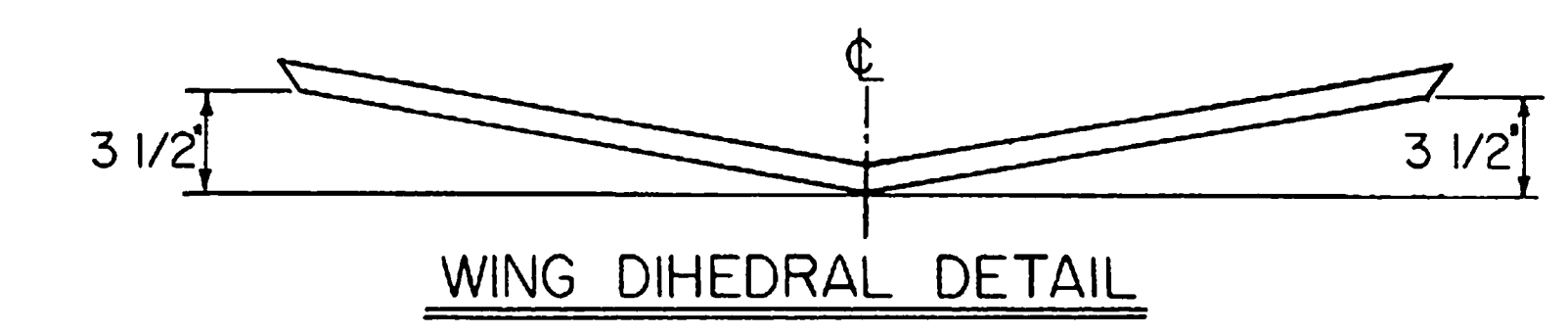
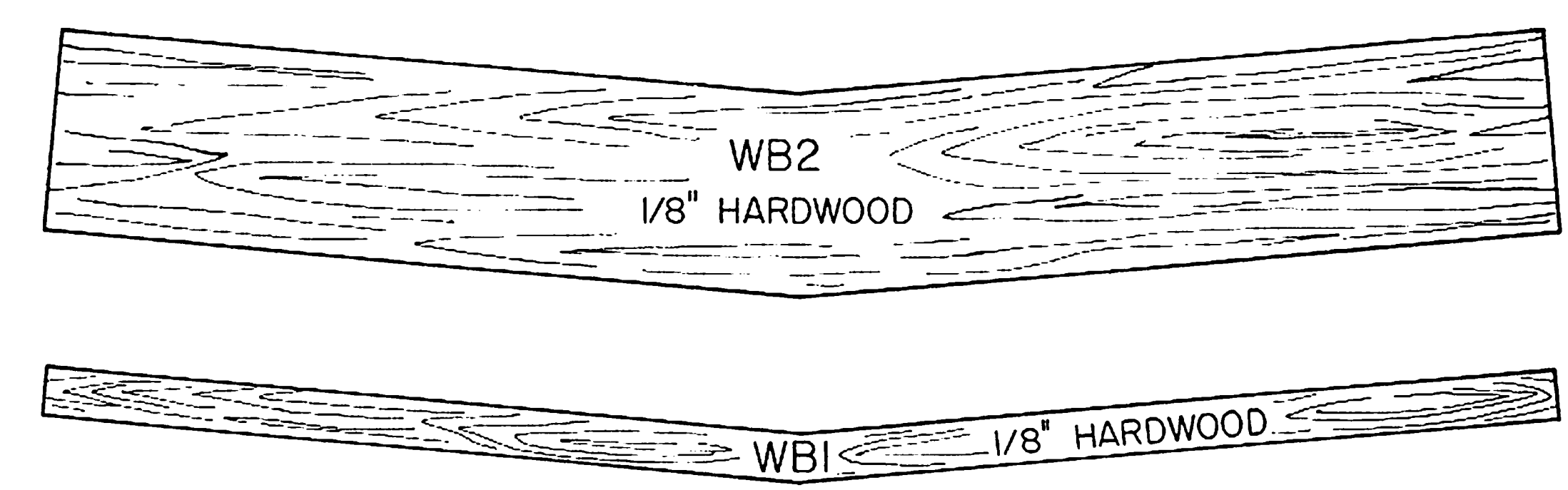
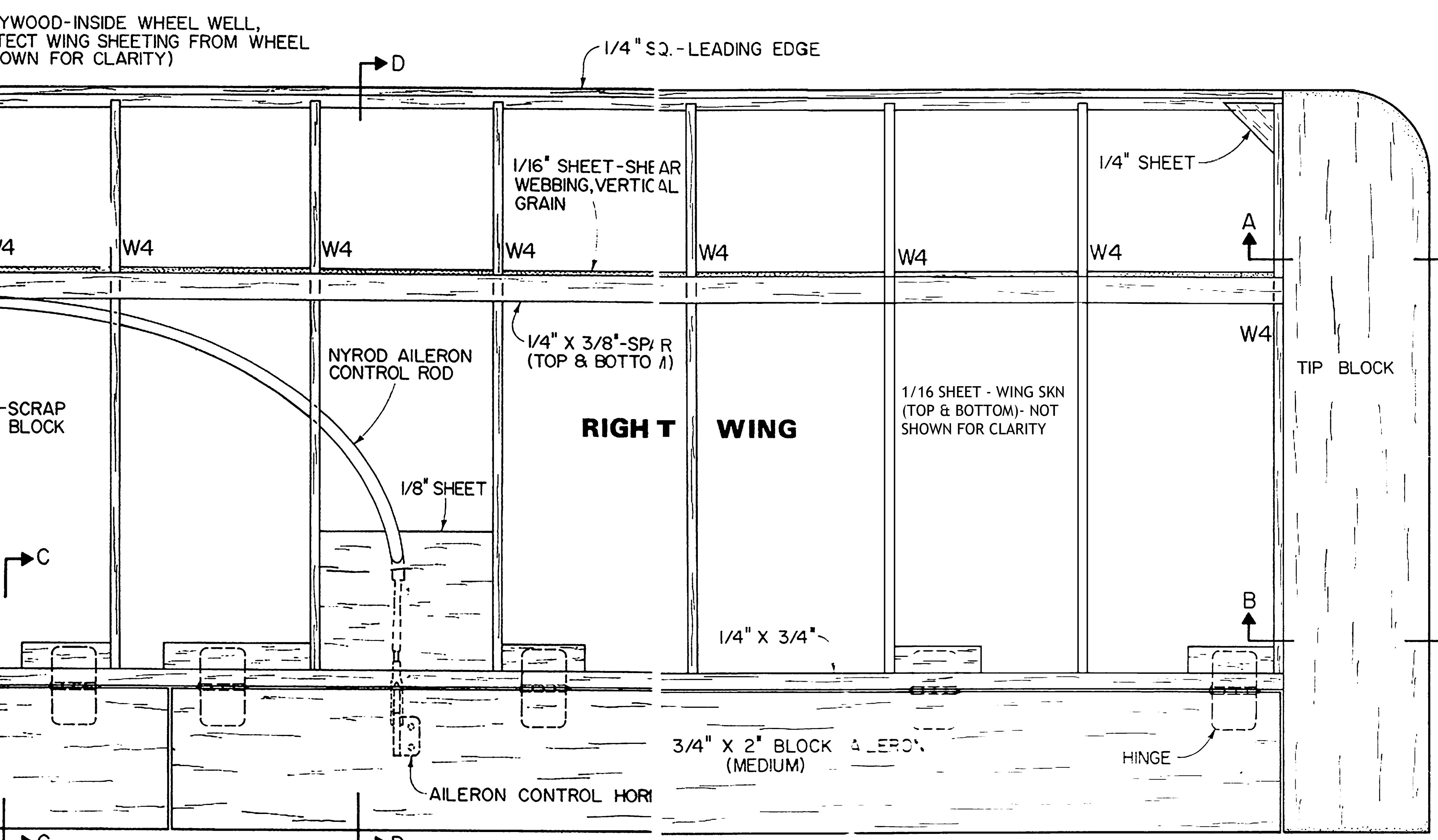
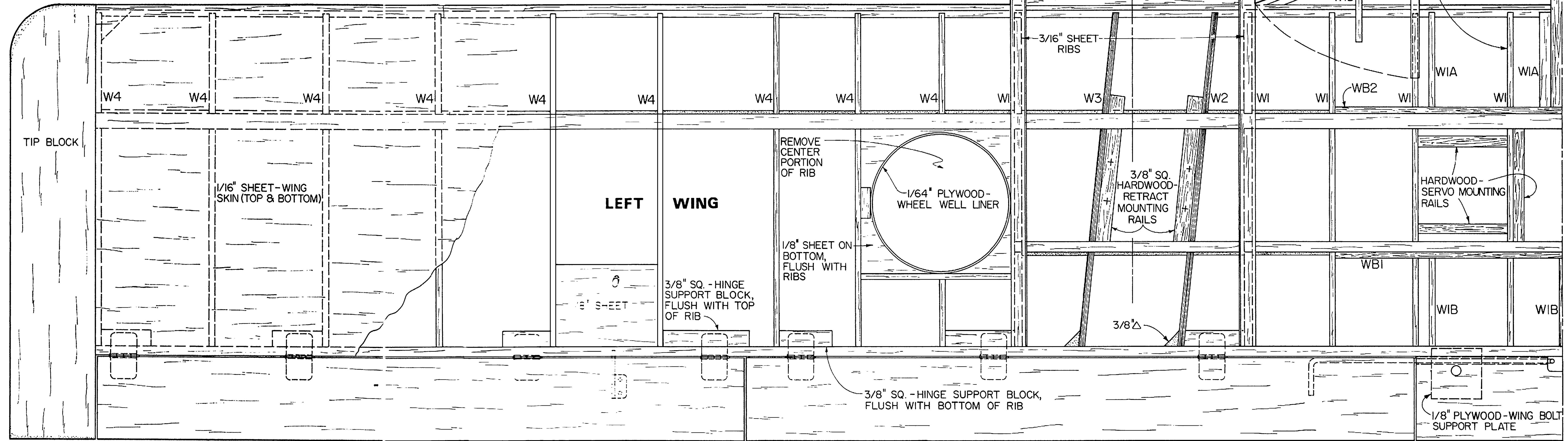
STABILIZER/ELEVATOR DIHEDRAL: 1 3/4" EACH TIP



NOTE: HATCH IS ON BOTTOM-MADE FROM 1/16" PLY & 1/8" Balsa laminated together.

POSITION THIS RIB (IN EACH WING PANEL) TO ACCOMMODATE SERVO

CUT NOTCH IN RIBS FOR WBI & WB2, AFTER WING IS FRAMED.



GRUMMAN AMERICAN COUGAR

By H.E. SHEET 2 OF 2

DESIGNED BY DENNIS TAPSFIELD PLANS BY Bob Wallace

