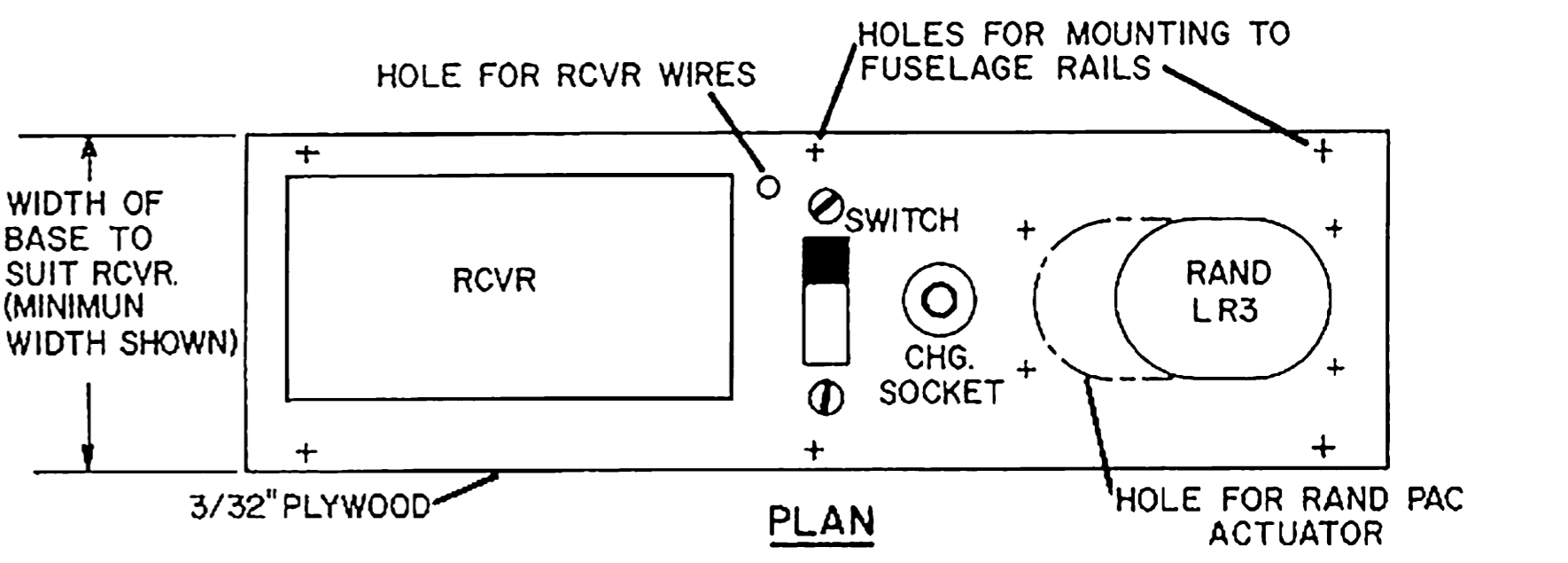
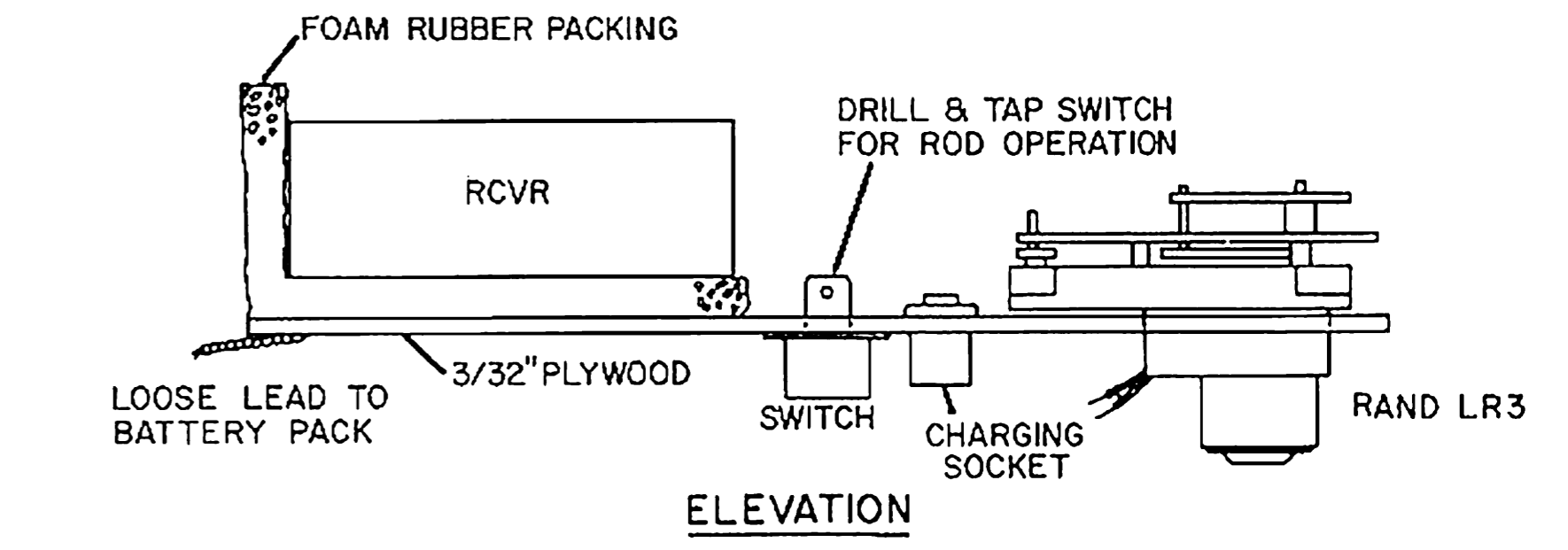


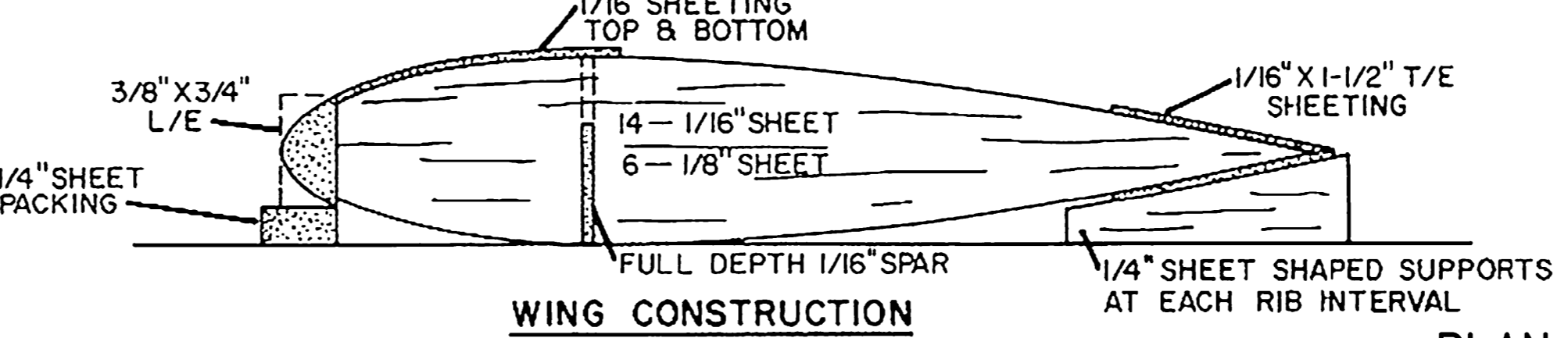
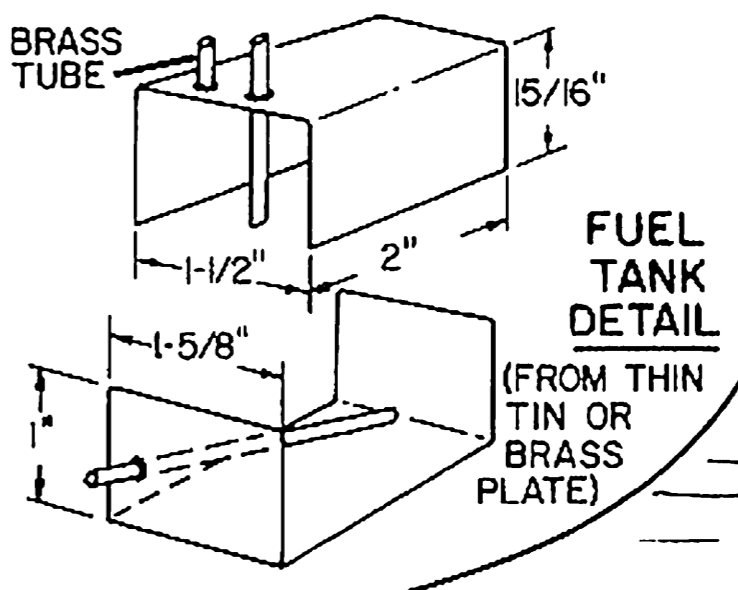
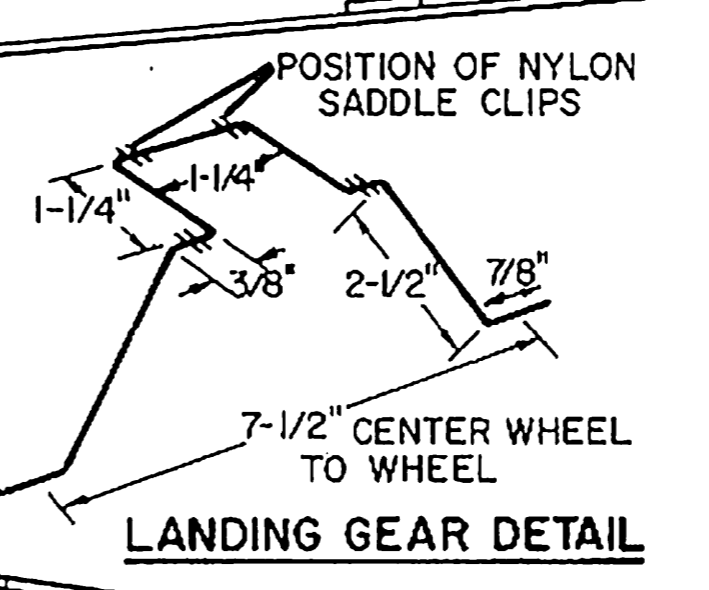
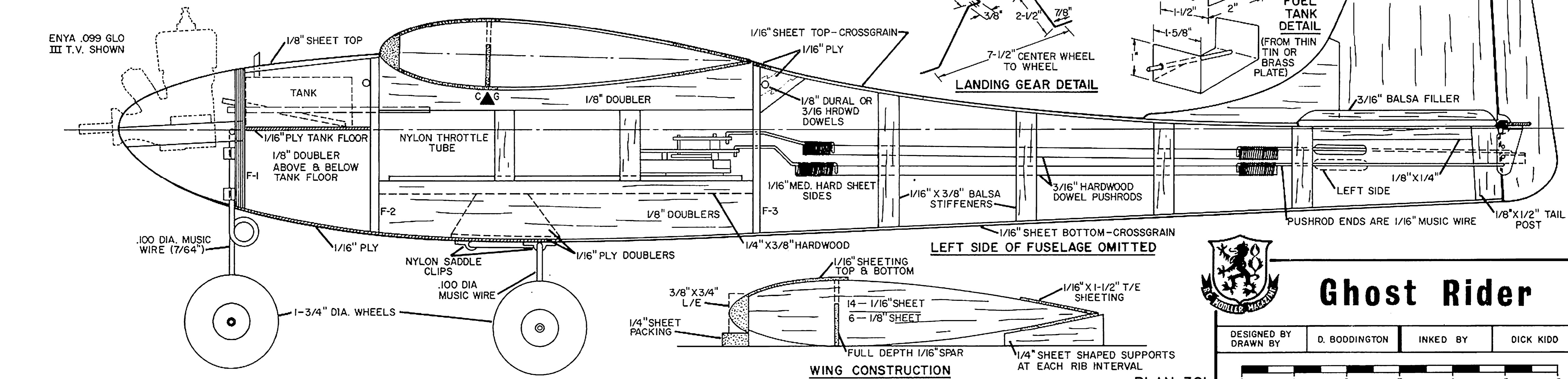
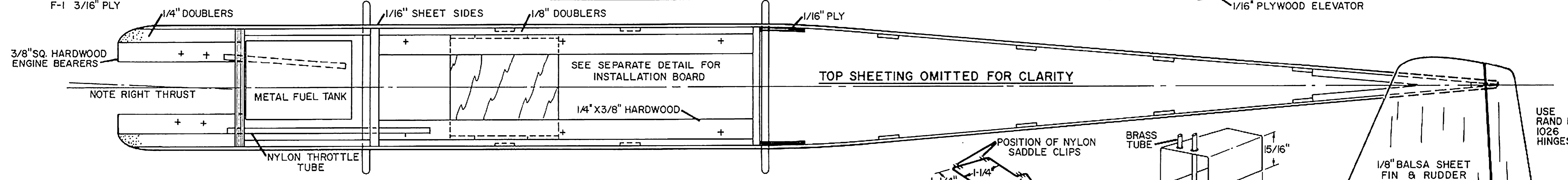
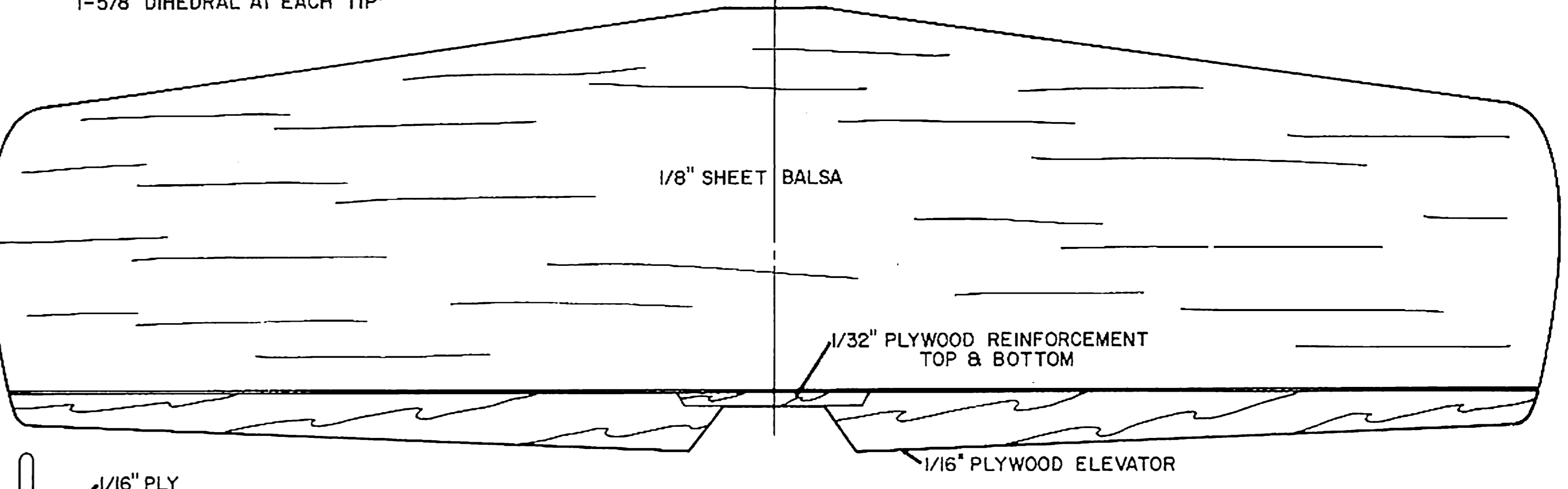
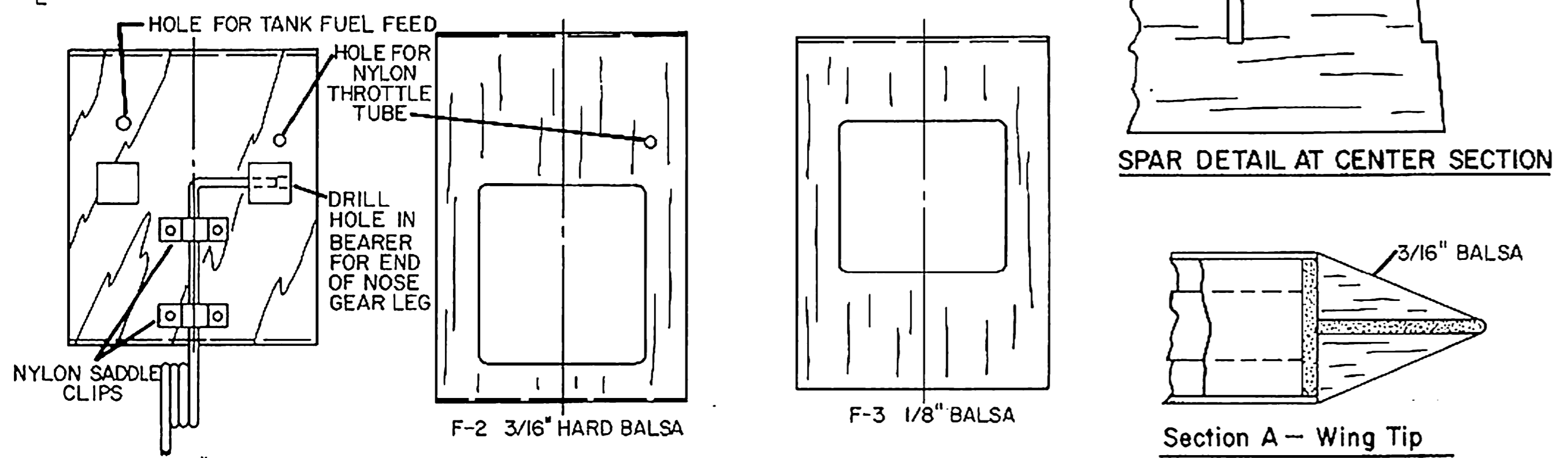
BUTT JOIN WING PANELS & WRAP WITH 3" STRIP OF FIBERGLASS TAPE (RAND NO. 1004)

TOP SHEETING OF WING NOT SHOWN

1-5/8" DIHEDRAL AT EACH TIP

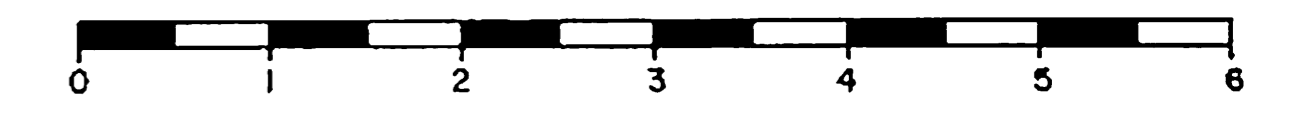


MOUNTING BOARD FOR GALLOPING GHOST INSTALLATIONS



# Ghost Rider

DESIGNED BY D. BODDINGTON INKED BY DICK KIDD



PLAN 361