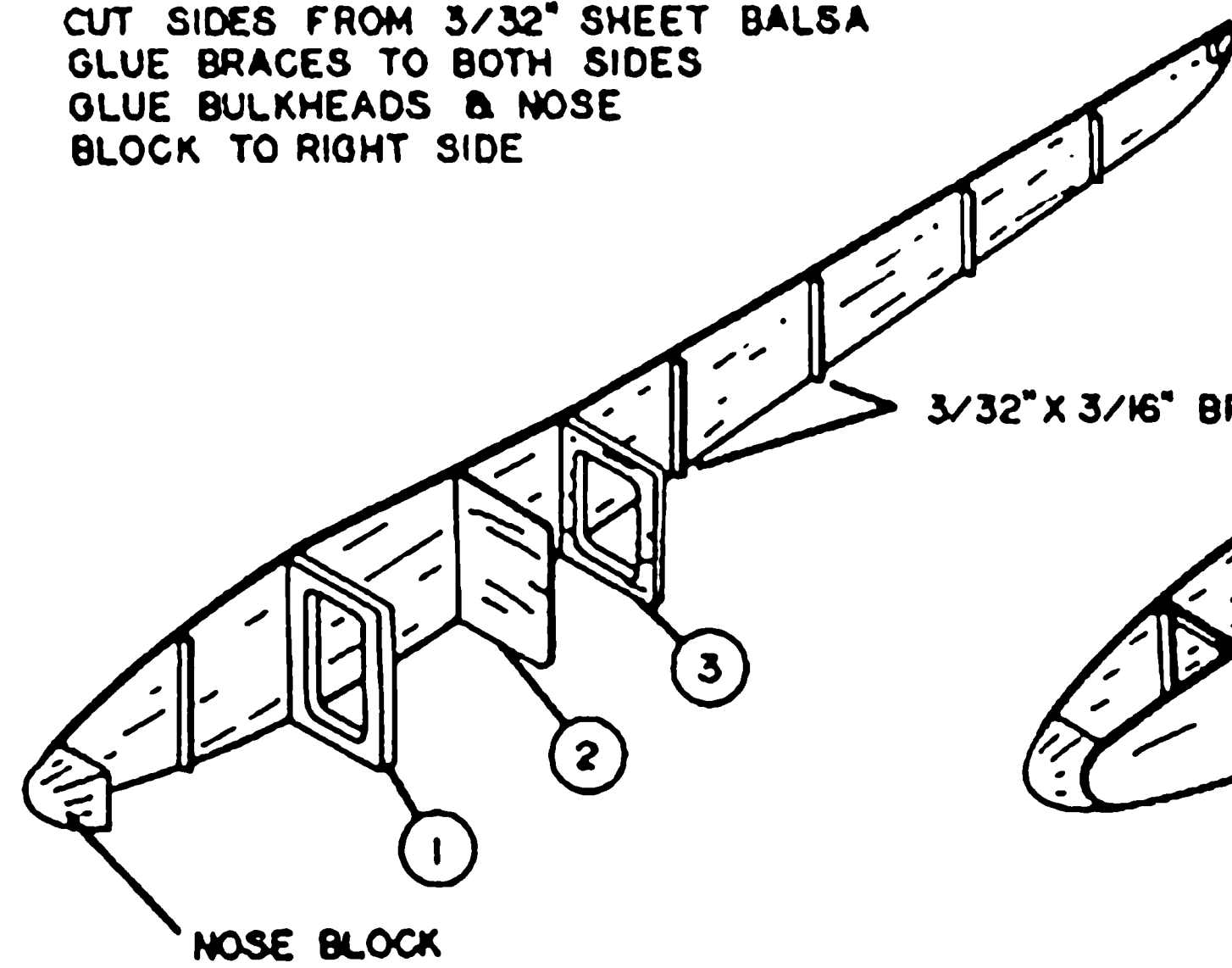
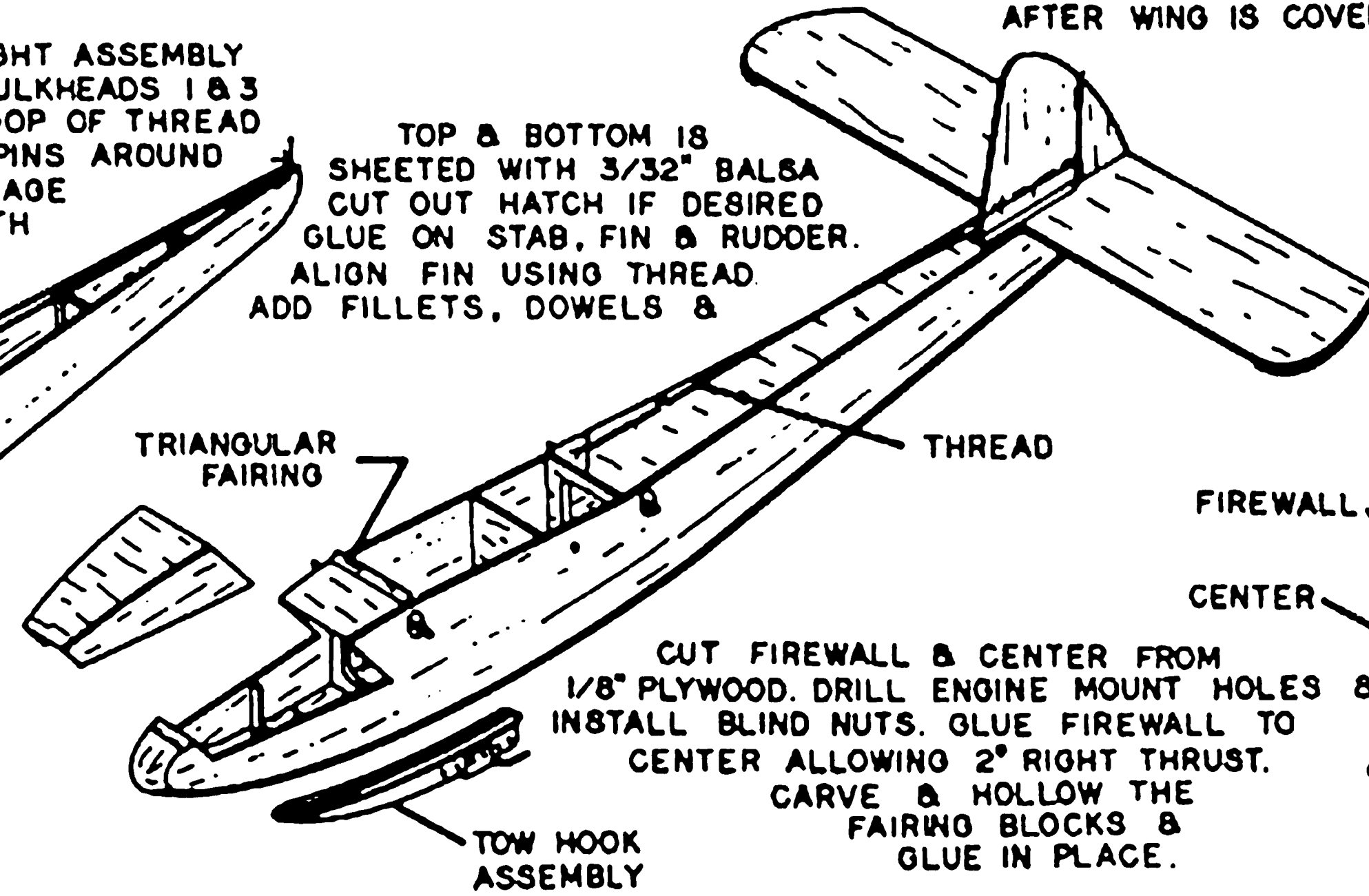


CUT SIDES FROM 3/32" SHEET BALSA
GLUE BRACES TO BOTH SIDES
GLUE BULKHEADS & NOSE
BLOCK TO RIGHT SIDE

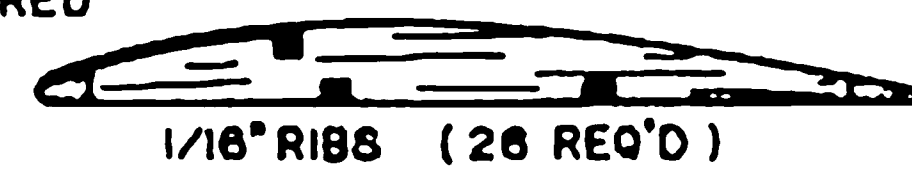


GLUE LEFT SIDE TO THE RIGHT ASSEMBLY
PLACE PINS IN CENTER OF BULKHEADS 1 & 3
AND IN TAILPOST. WRAP LOOP OF THREAD
BETWEEN FRONT & REAR PINS AROUND
CENTER PIN. SHIFT FUSELAGE
UNTIL THREAD TOUCHES BOTH
SIDES OF THE CENTER PIN.

TOP & BOTTOM IS
SHEETED WITH 3/32" BALSA
CUT OUT HATCH IF DESIRED
GLUE ON STAB, FIN & RUDDER.
ALIGN FIN USING THREAD.
ADD FILLETS, DOWELS &



CUT FIREWALL & CENTER FROM
1/8" PLYWOOD. DRILL ENGINE MOUNT HOLES &
INSTALL BLIND NUTS. GLUE FIREWALL TO
CENTER ALLOWING 2" RIGHT THRUST.
CARVE & HOLLOW THE
FAIRING BLOCKS &
GLUE IN PLACE.



3/32" DOUBLER ON BOTTOM OF STAB.
NOTE GRAIN DIRECTION

1 TOW HOOK ASSEMBLY
2 ARE REQUIRED.

FAIRING BLOCK

FIREWALL

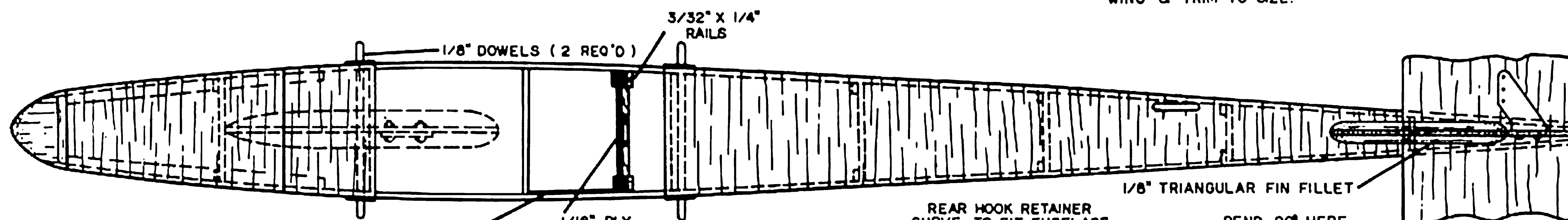
CENTER

WAX PAPER

MOUNT BASE

GLUE MOUNT BASES TO PLYWOOD
CENTER. GLUE 1/16" PLYWOOD
END RAILS IN PLACE.

FORM MOUNT BASES BY LAMINATING
2 PIECES OF 3/32" SHEET OVER WAX PAPER
LACED ON CENTER SECTION OF COMPLETED WING.
PIN TO BOARD, NOT WING. WHEN DRY REMOVE FROM
WING & TRIM TO SIZE.



1/16" PLYWOOD SWITCH MOUNT DOUBLER

1/16" PLY. ESCAPEMENT MOUNT

REAR HOOK RETAINER
CURVE TO FIT FUSELAGE

BEND 90° HERE

TIN CAN STOCK

PLYWOOD MOUNT END RAILS

BULKHEADS ARE LAMINATED
FROM (2) PIECES OF 3/32" SHEET
NOTE OPPOSITE GRAIN
DIRECTIONS

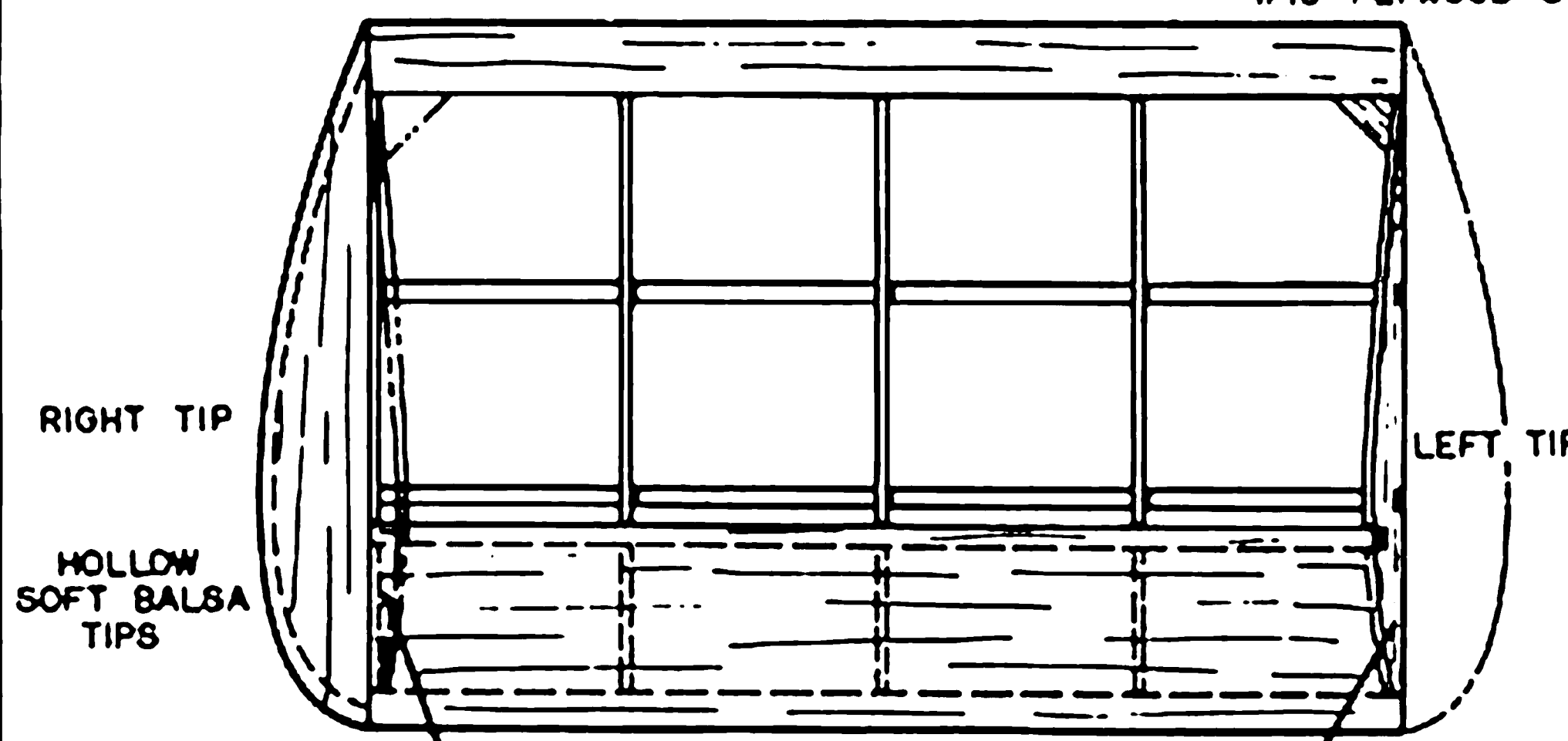
MOUNT END RAILS 1/16" PLY. (2 REQ'D)

2" RIGHT THRUST

3/32" SHEET STAB

PLYWOOD DOUBLER
YELET

SOLDER HOOK TO RETAINER



RIGHT TIP

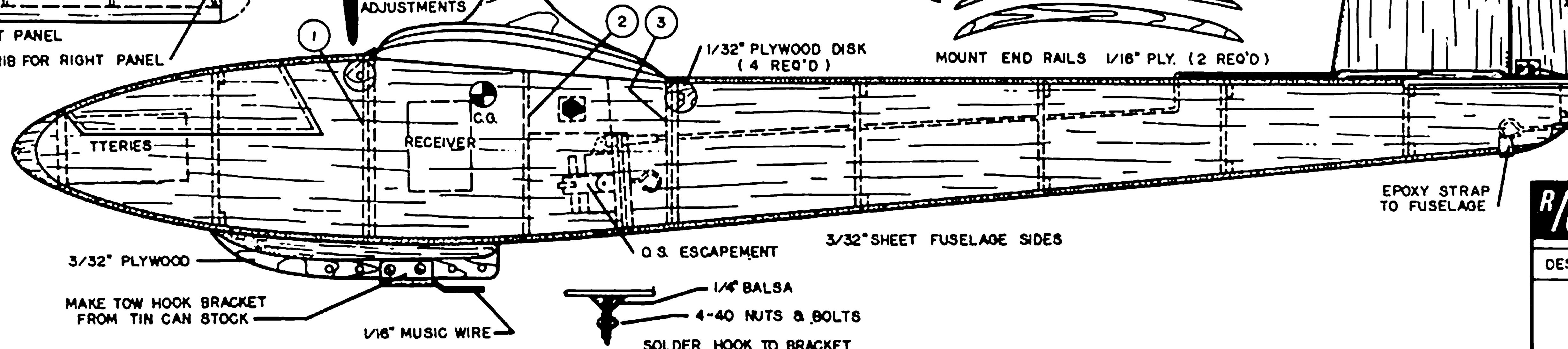
LEFT TIP

HOLLOW
SOFT BALSA
TIPS

ANGLE RIB FOR LEFT PANEL

ANGLE RIB FOR RIGHT PANEL

COVER WING WITH JAP TISSUE
OR LIGHT SILKSPAN
DO NOT COVER FUSELAGE
OR TAIL TO KEEP WEIGHT DOWN
CONTEST BALSA RECOMMENDED
THROUGHOUT



3/32" PLYWOOD

MAKE TOW HOOK BRACKET
FROM TIN CAN STOCK

1/16" MUSIC WIRE

1/4" BALSA

4-40 NUTS & BOLTS

SOLDER HOOK TO BRACKET

O.S. ESCAPEMENT

3/32" SHEET FUSELAGE SIDES

EPOXY STRAP
TO FUSELAGE

R/C modeler

Gary 1

DESIGNED BY GERALD LEAKE DRAWN BY BARRY HALSTED

