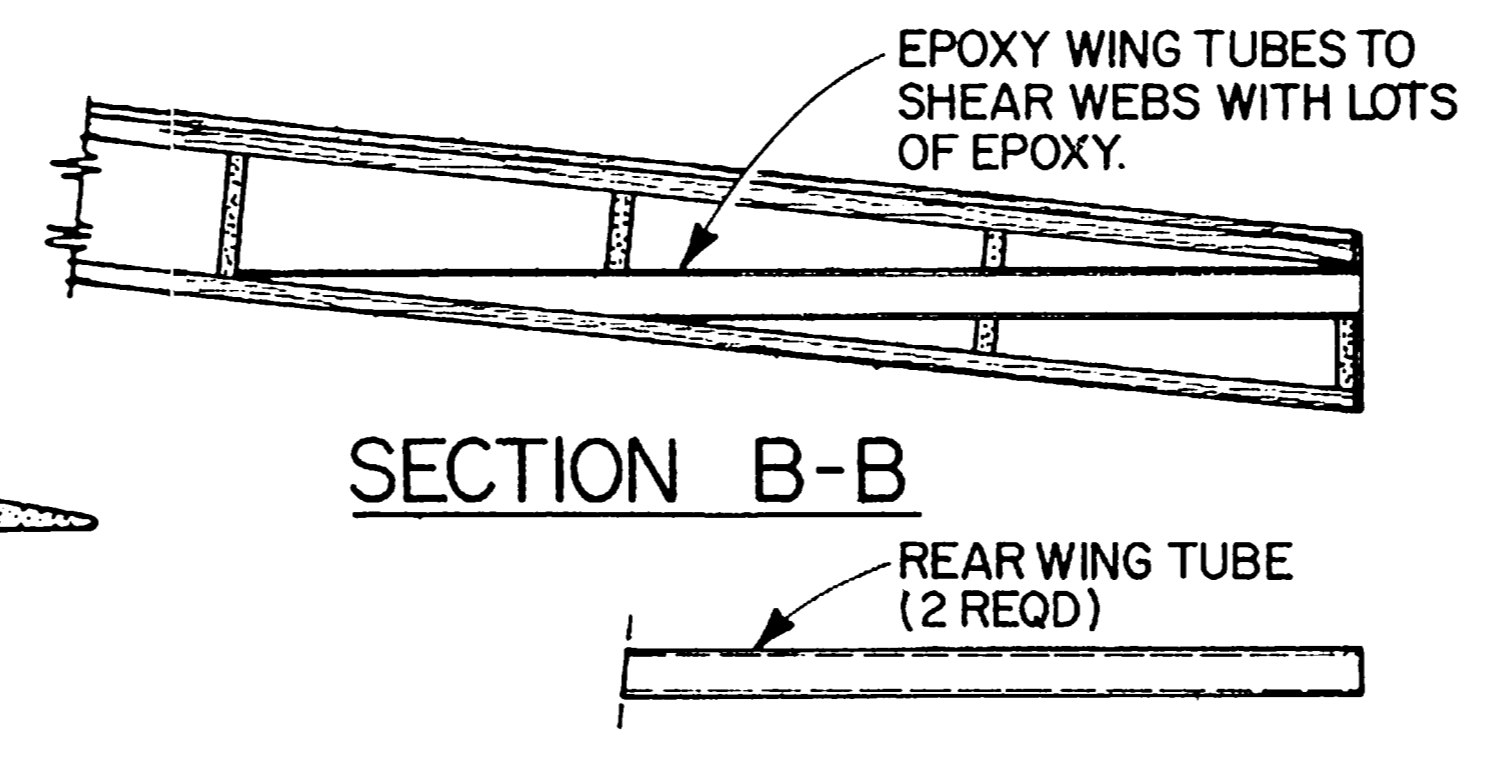
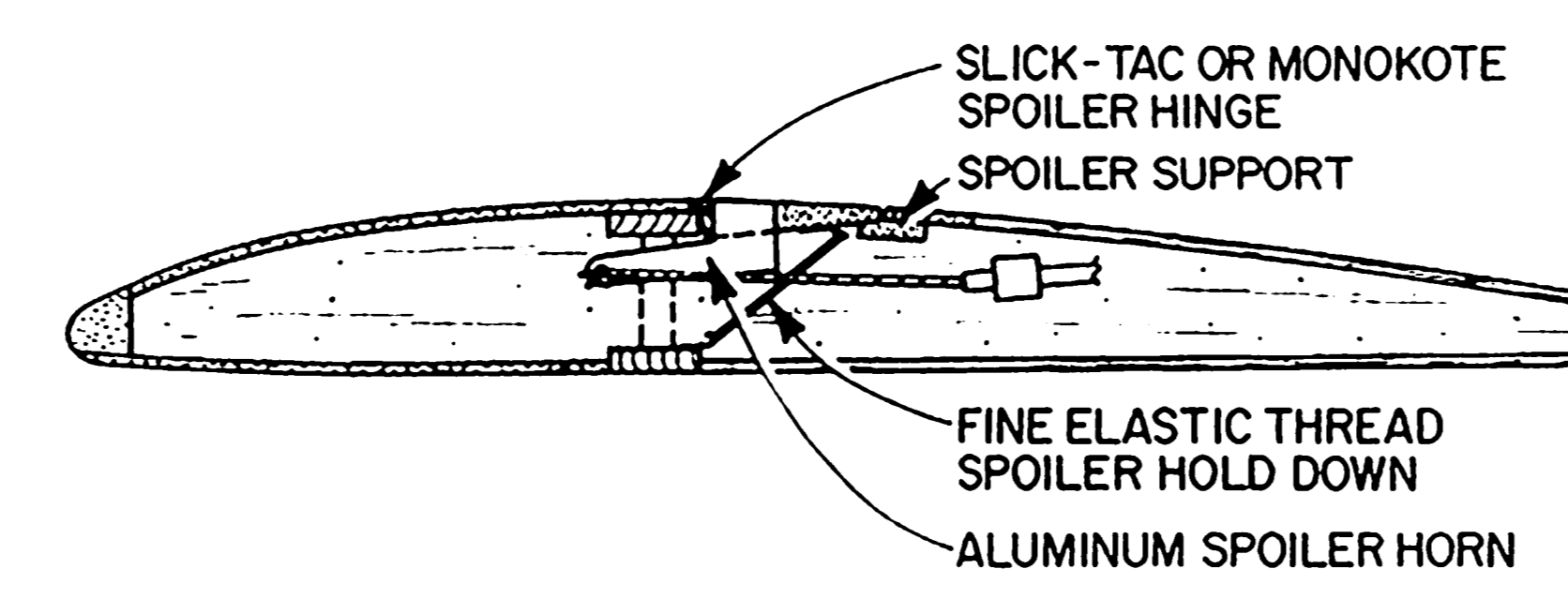


1/16" DIA WELDING ROD DIHEDRAL BRACES. ROUGHEN WITH SANDPAPER AND EPOXY TO AFT EDGE OF SPRUCE SPARS AFTER JOINING PANELS.



NOTE: CUT RIBS R1 THRU R6 FROM 3/32" SHEET. CUT RIBS R7 THRU R8 FROM 1/16" SHEET.

