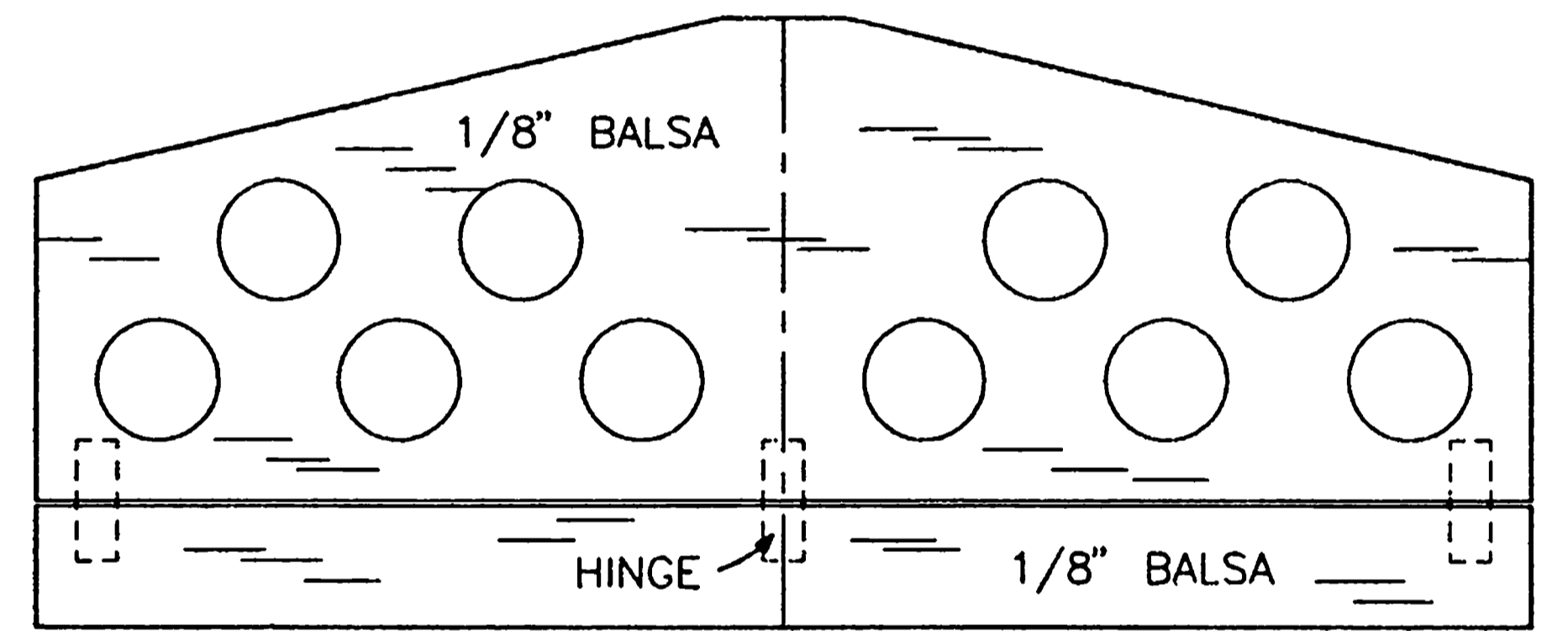
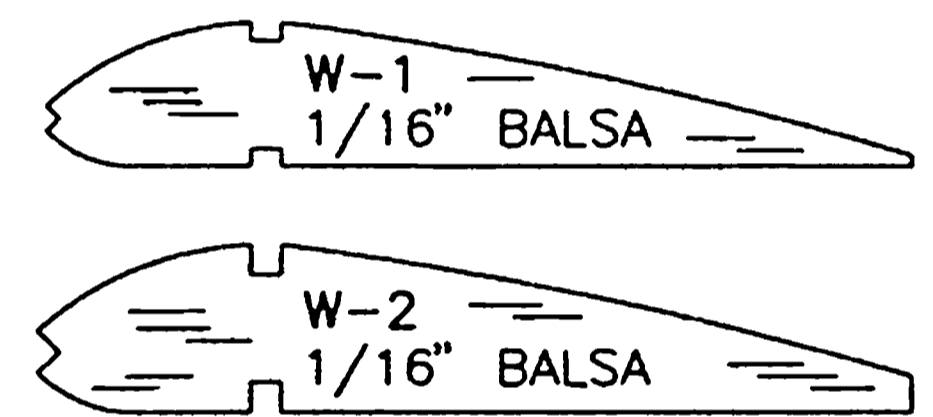
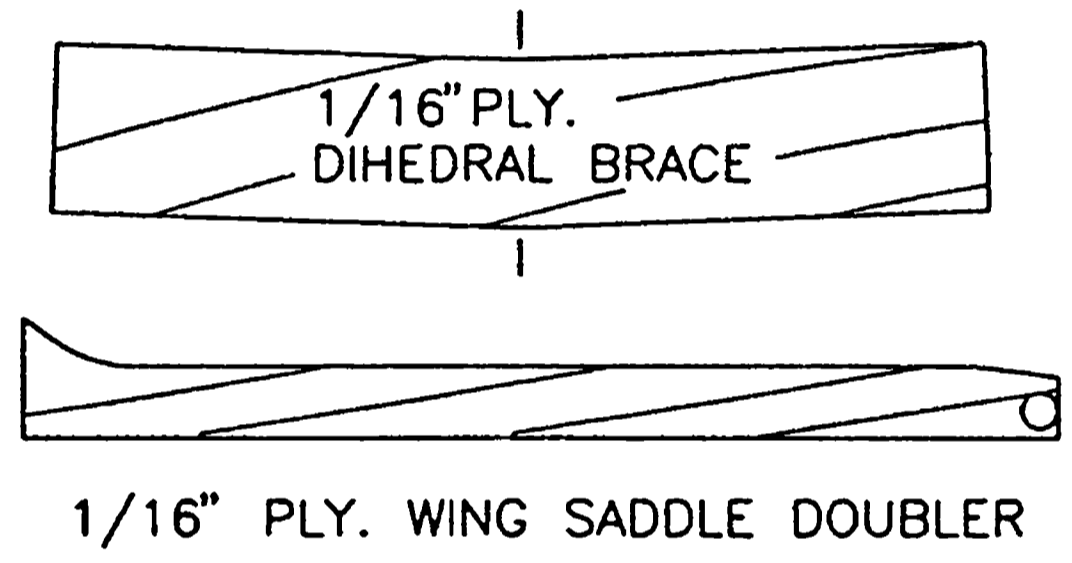
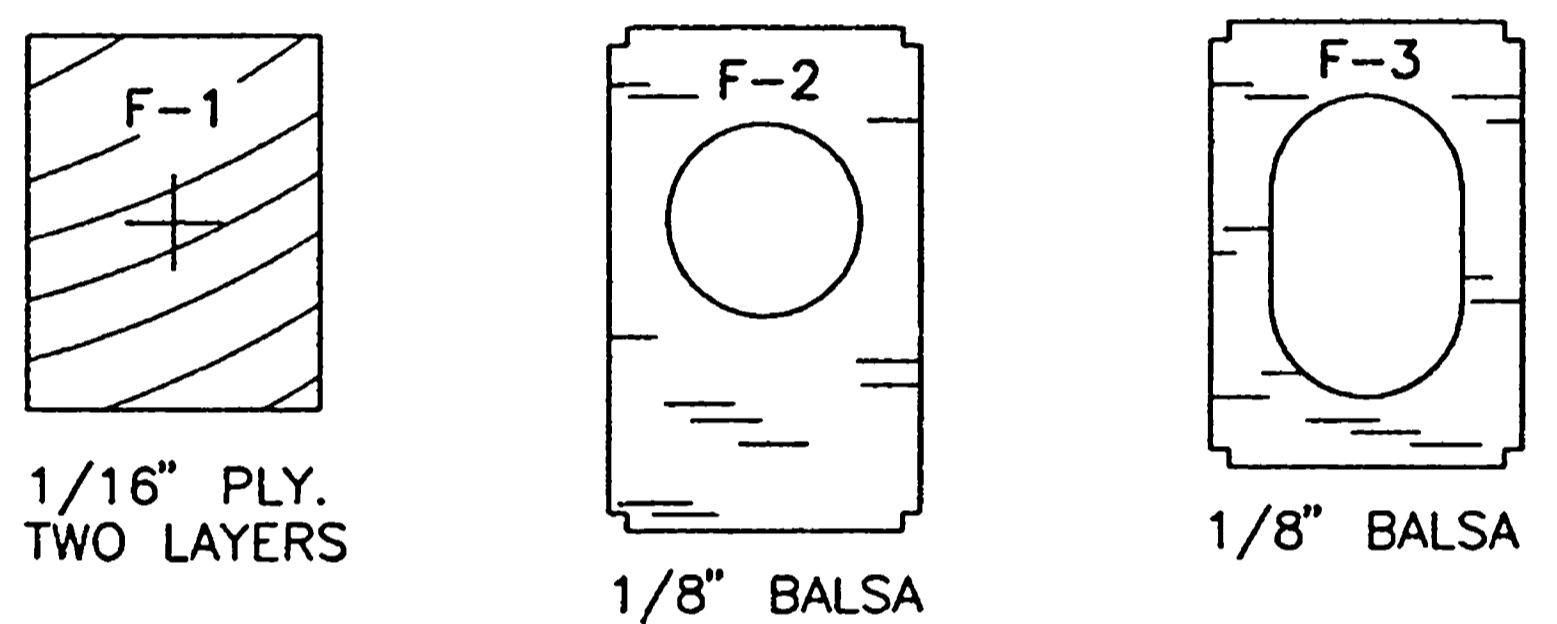


AILERON LINKAGE
MAKE FROM 1/16"
WIRE AND 3/32"
ALUM. TUBE.
EPOXY THE TUBE
TO 3/16" SQ. T.E.

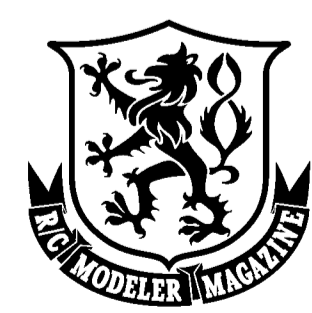
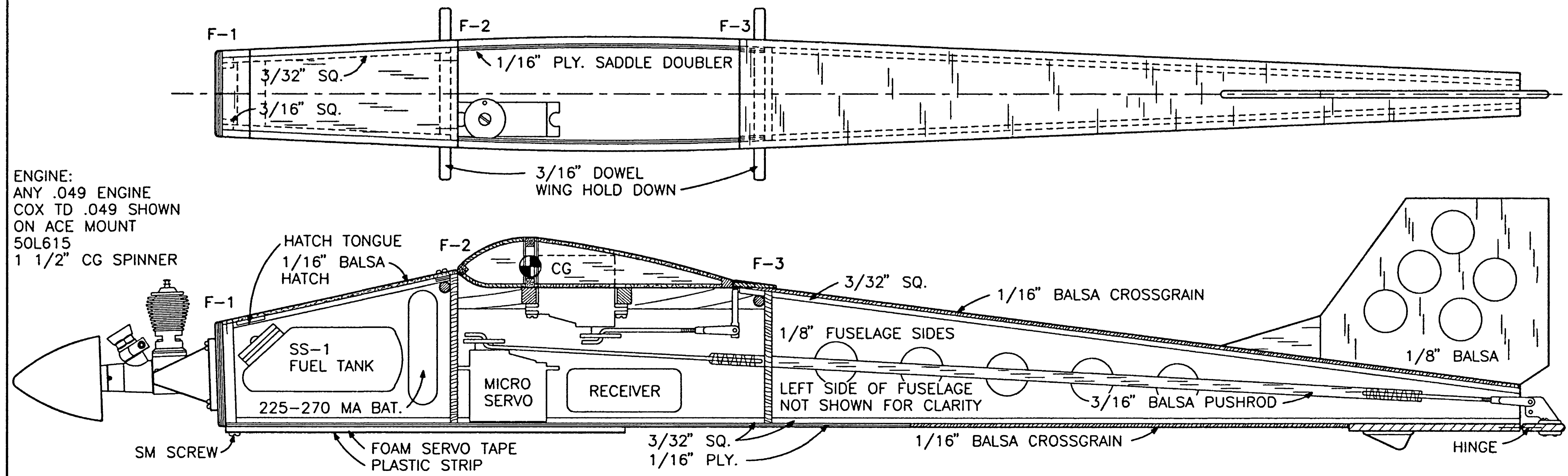
DIHEDRAL: BLOCK UP ONE
WINGTIP 1 1/8"



CONTROL MOVEMENT
AILERONS 5/32" UP AND DOWN
ELEVATOR 1/4" UP AND DOWN

WINGSPAN	32 1/2"
WING AREA	183 SQ. IN.
LENGTH	27"
WEIGHT	17 OZ.
ENGINE	.049 CU. IN.
RADIO	TWO CHANNEL

ENGINE:
ANY .049 ENGINE
COX TD .049 SHOWN
ON ACE MOUNT
50L615
1 1/2" CG SPINNER



© RCM ALL COMMERCIAL RIGHTS RESERVED

DAS SPLAT JR.

DESIGNED BY JEFFREY E. PETERSEN
DRAWN BY FRED REESE

