

- NOTES**
1. ALL WOOD IS Balsa UNLESS NOTED OTHERWISE.
  2. MADE ALERON & THROTTLE SERVO CABLE EXTENSIONS FROM 26 GAUGE STRANDED WIRE. USE CONNECTORS THAT ARE COMPATIBLE WITH RADIO SYSTEM. (SEE RCM, APRIL 1978 ISSUE, "HERE'S HOW" ARTICLE FOR ADDITIONAL INFORMATION).
  3. ATTACH NACELLE STRUTS TO 1/4" PLYWOOD BULKHEADS WITH HEAVY WIRE & EPOXY.
  4. WEDGE FOAM BETWEEN NACELLE ACCESS HATCH AND WING ATTACHMENT PINS, TO PREVENT PINS FROM "BACKING OUT" DUE TO VIBRATION.

© RCM ALL COMMERCIAL RIGHTS RESERVED

**CURTISS JUNIOR**

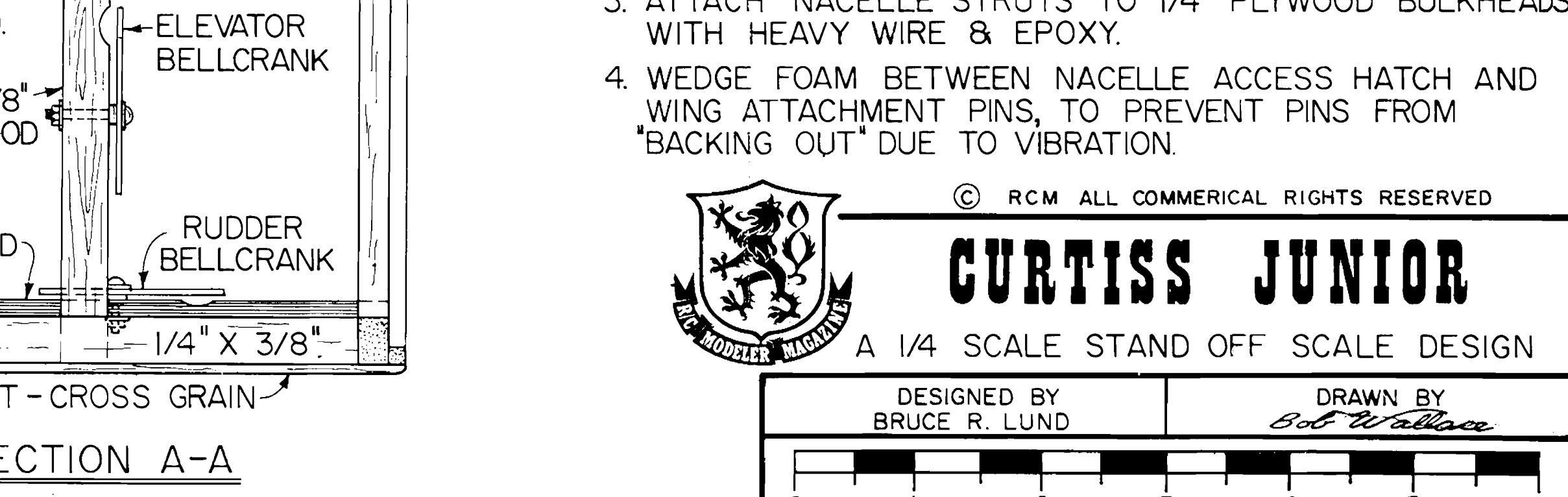
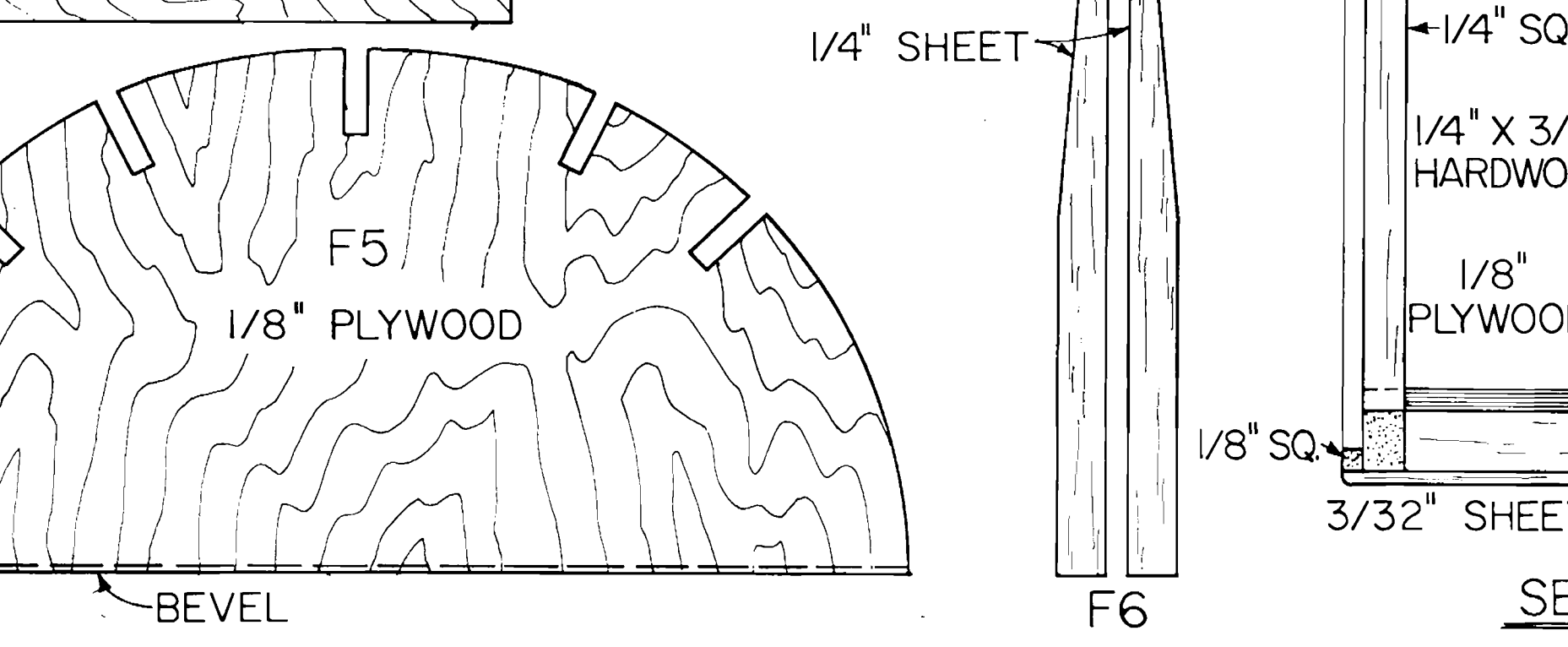
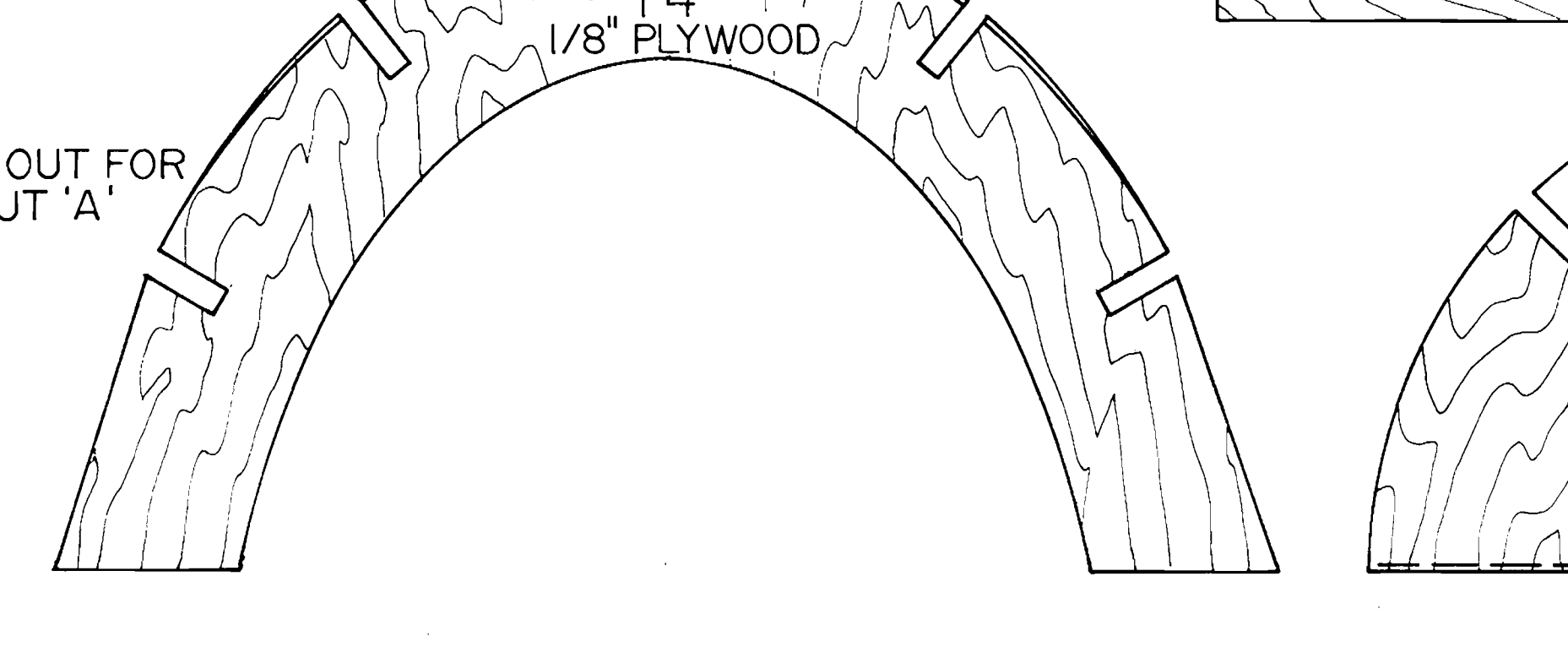
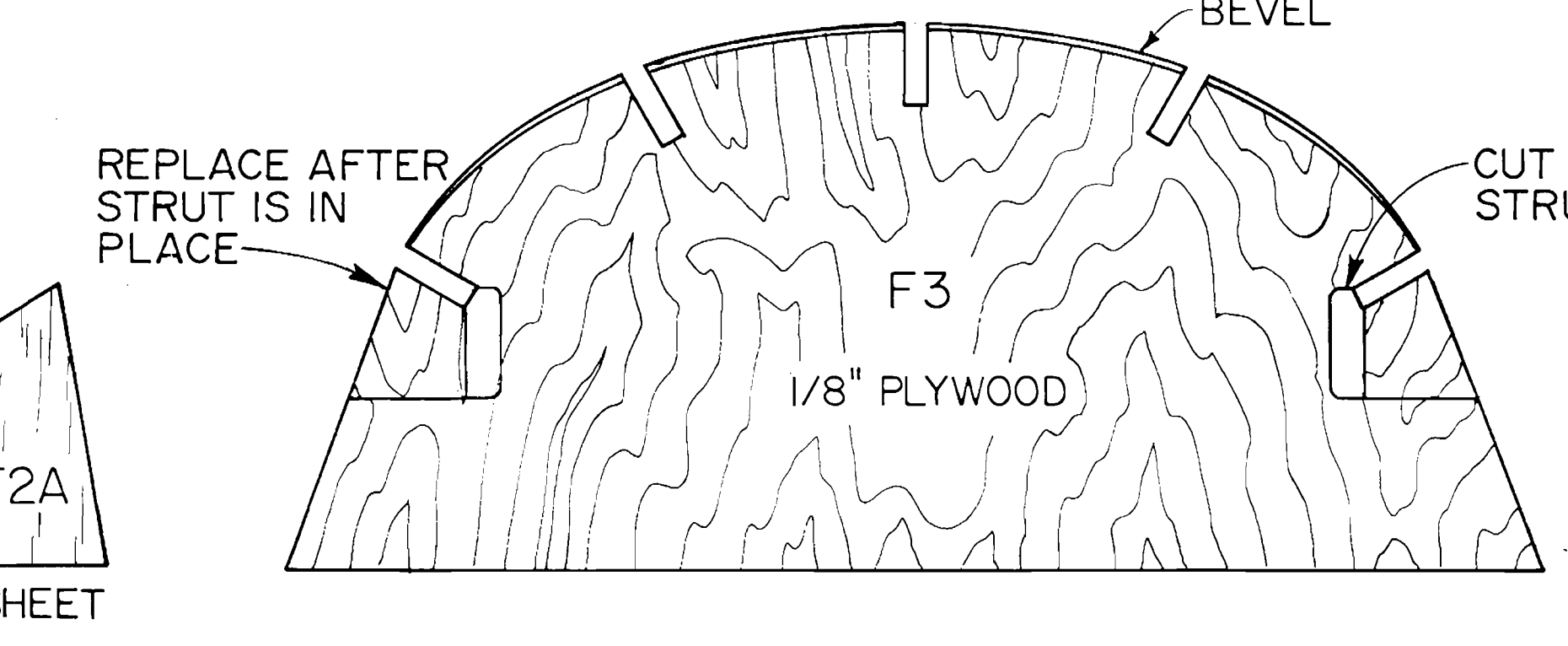
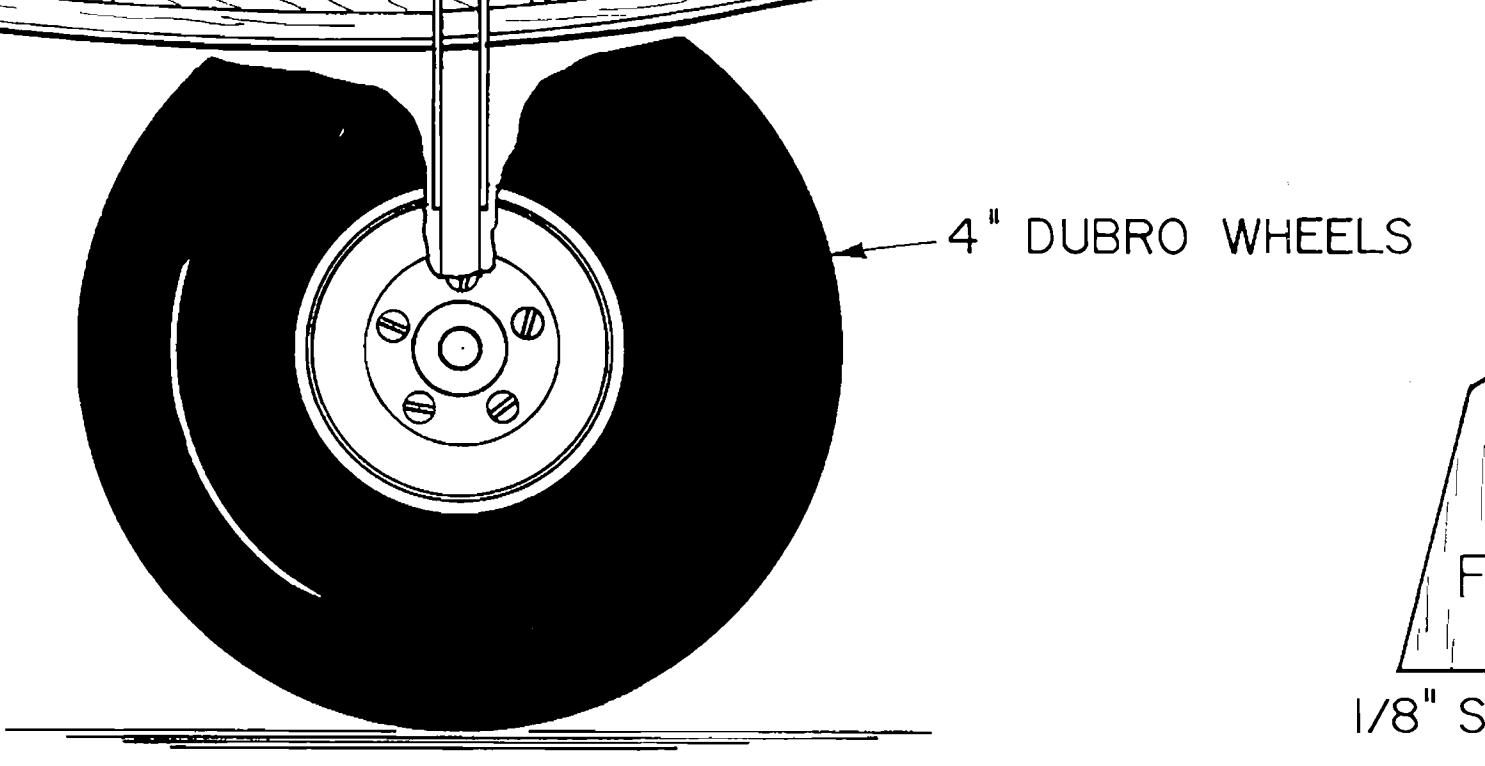
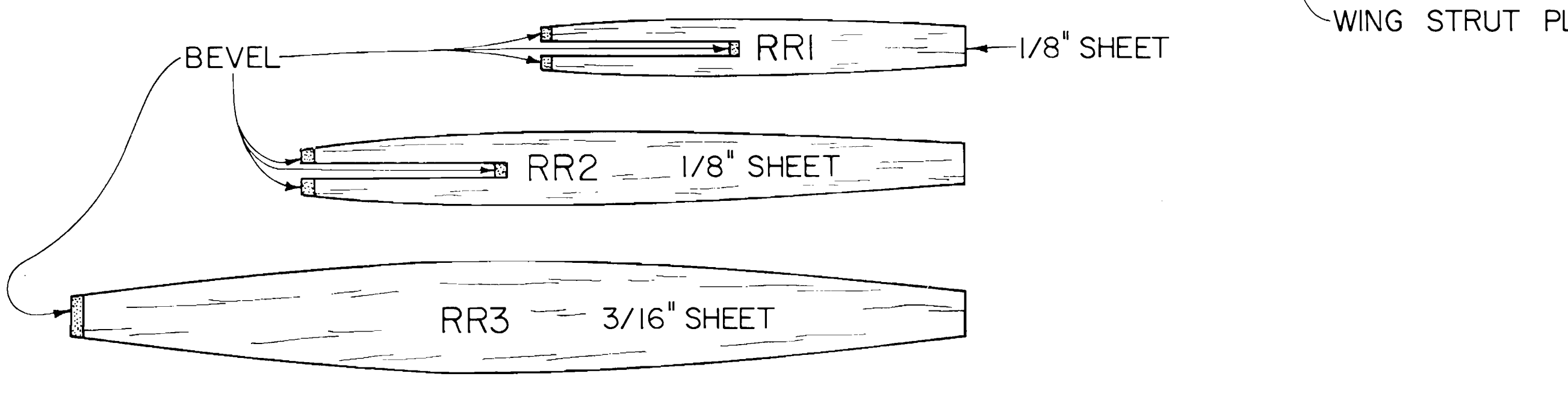
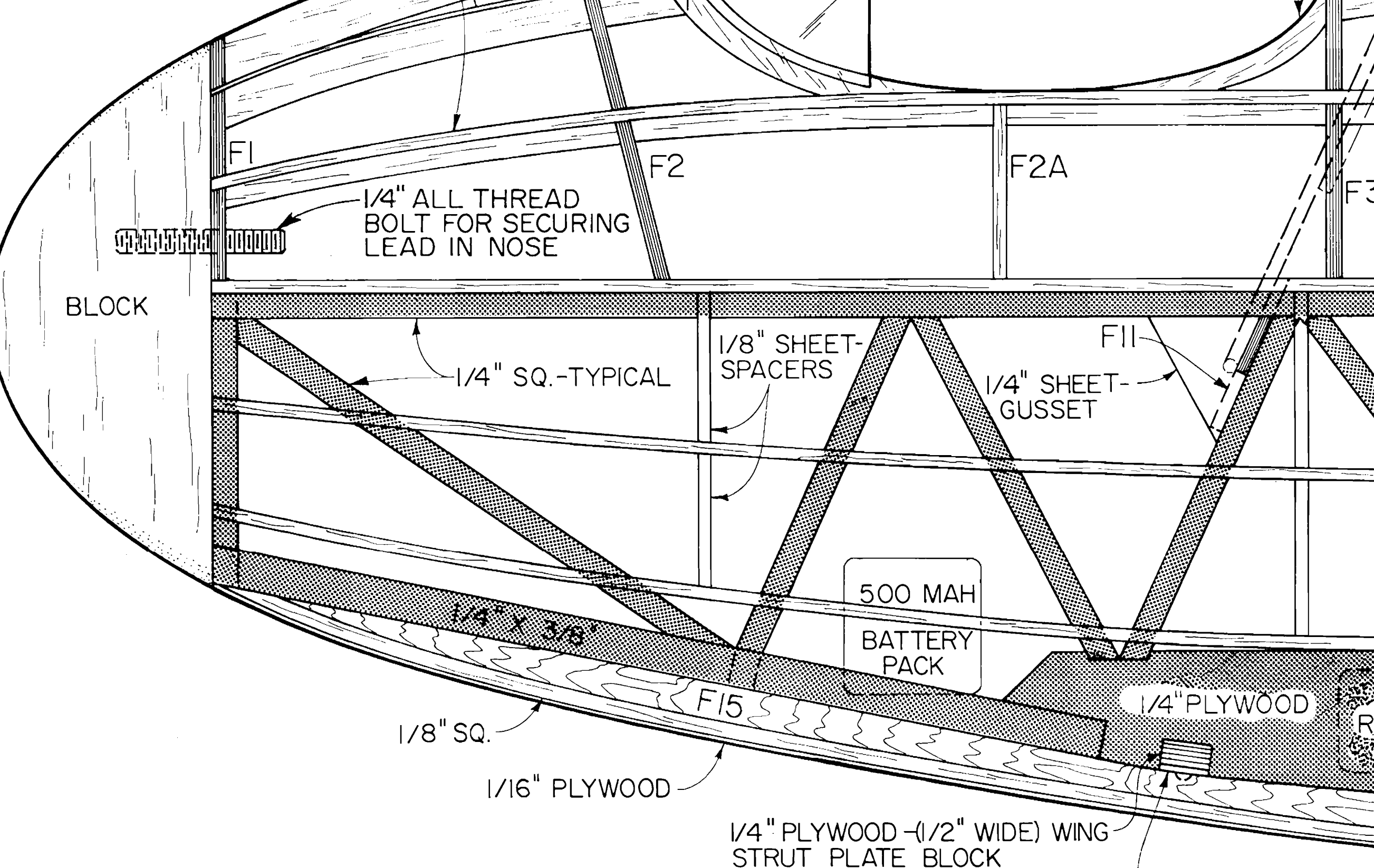
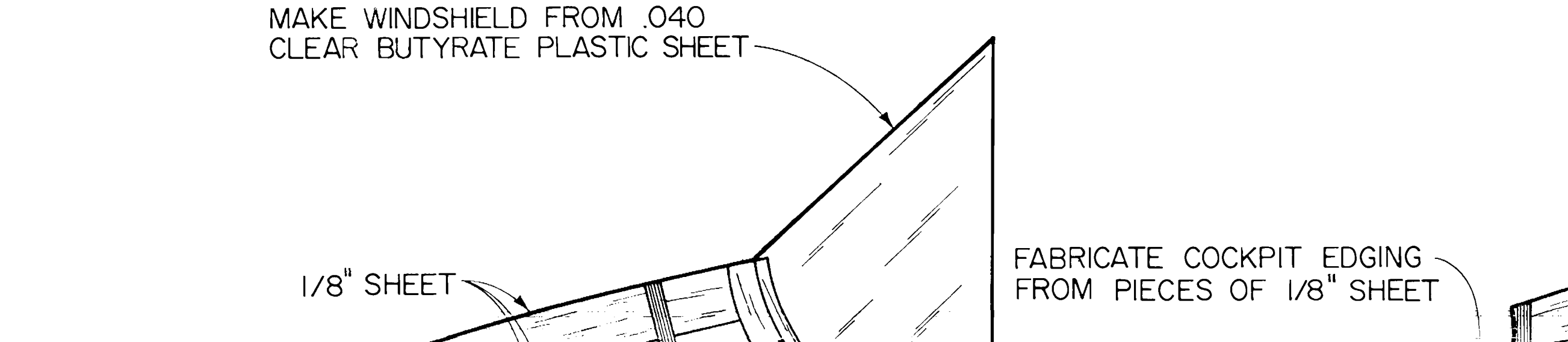
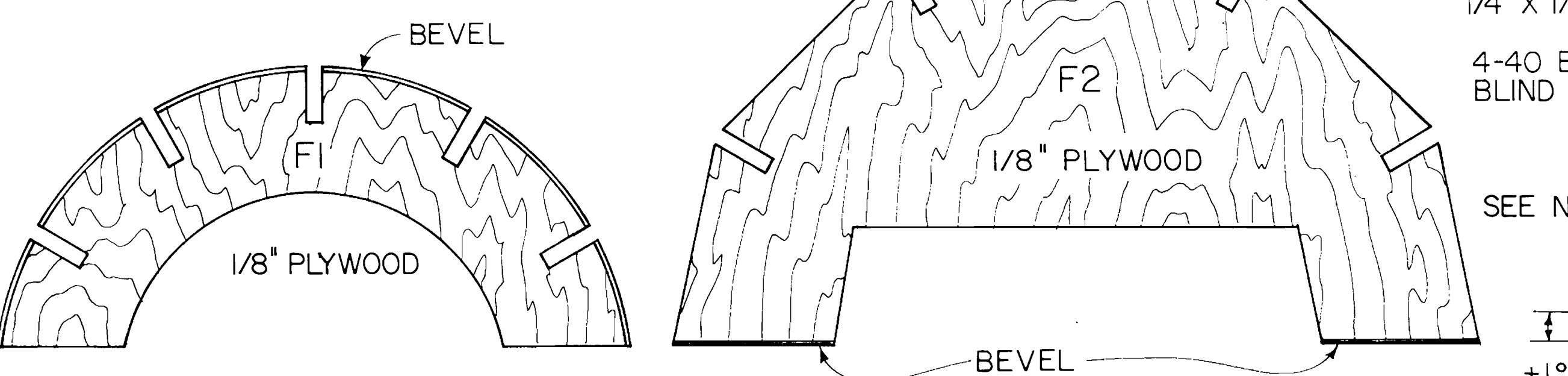
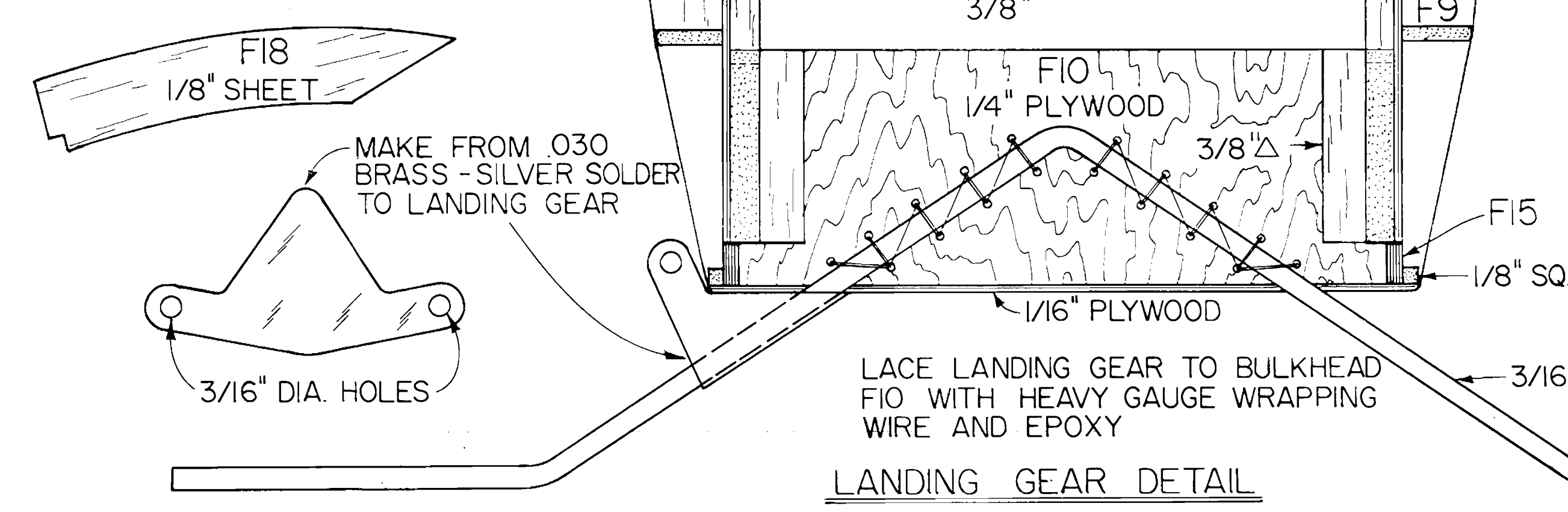
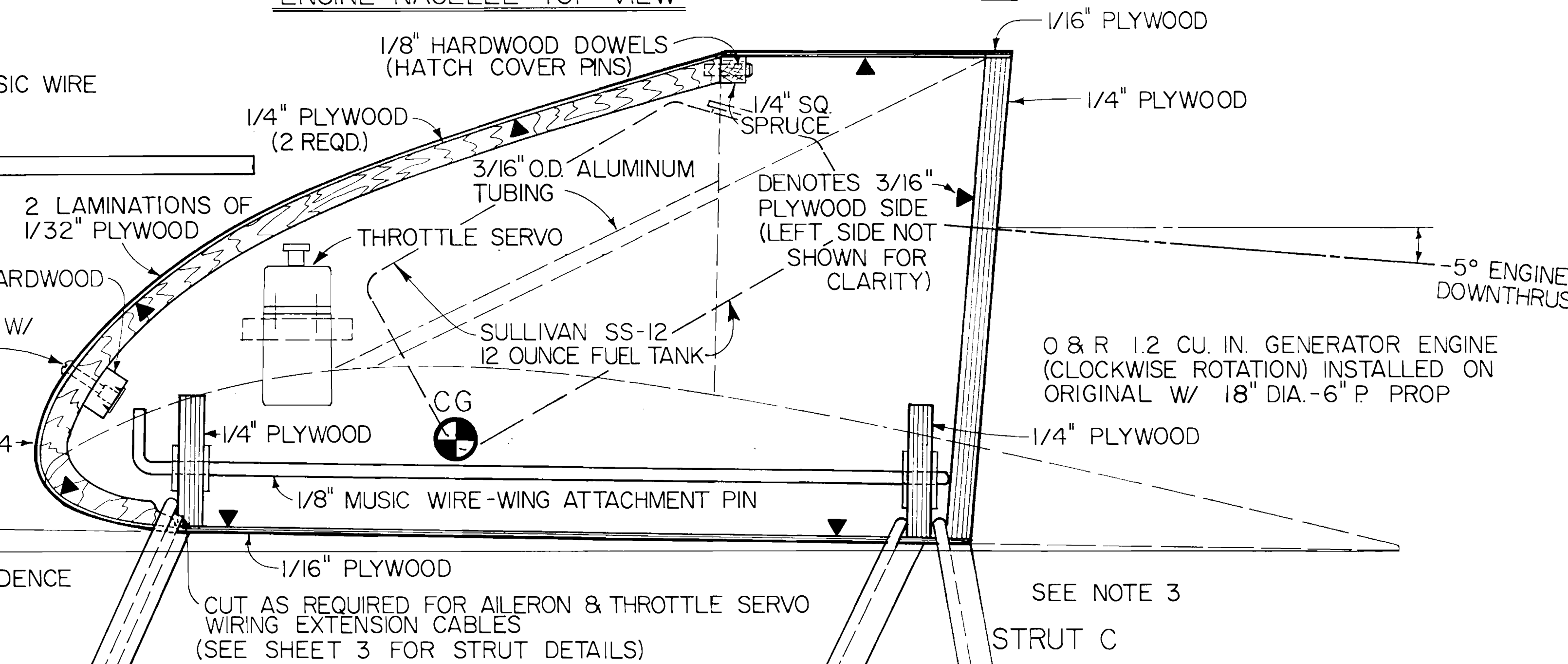
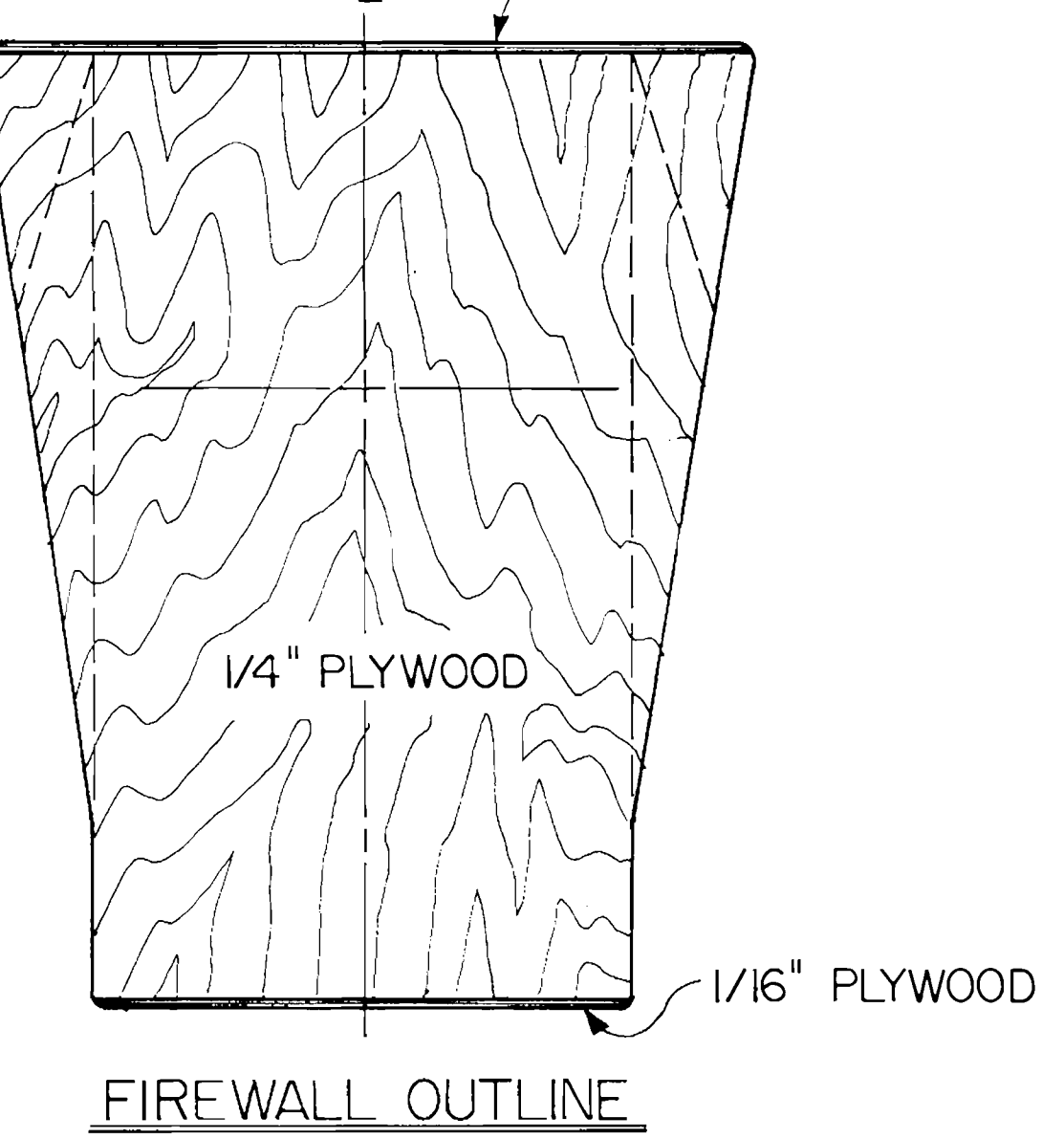
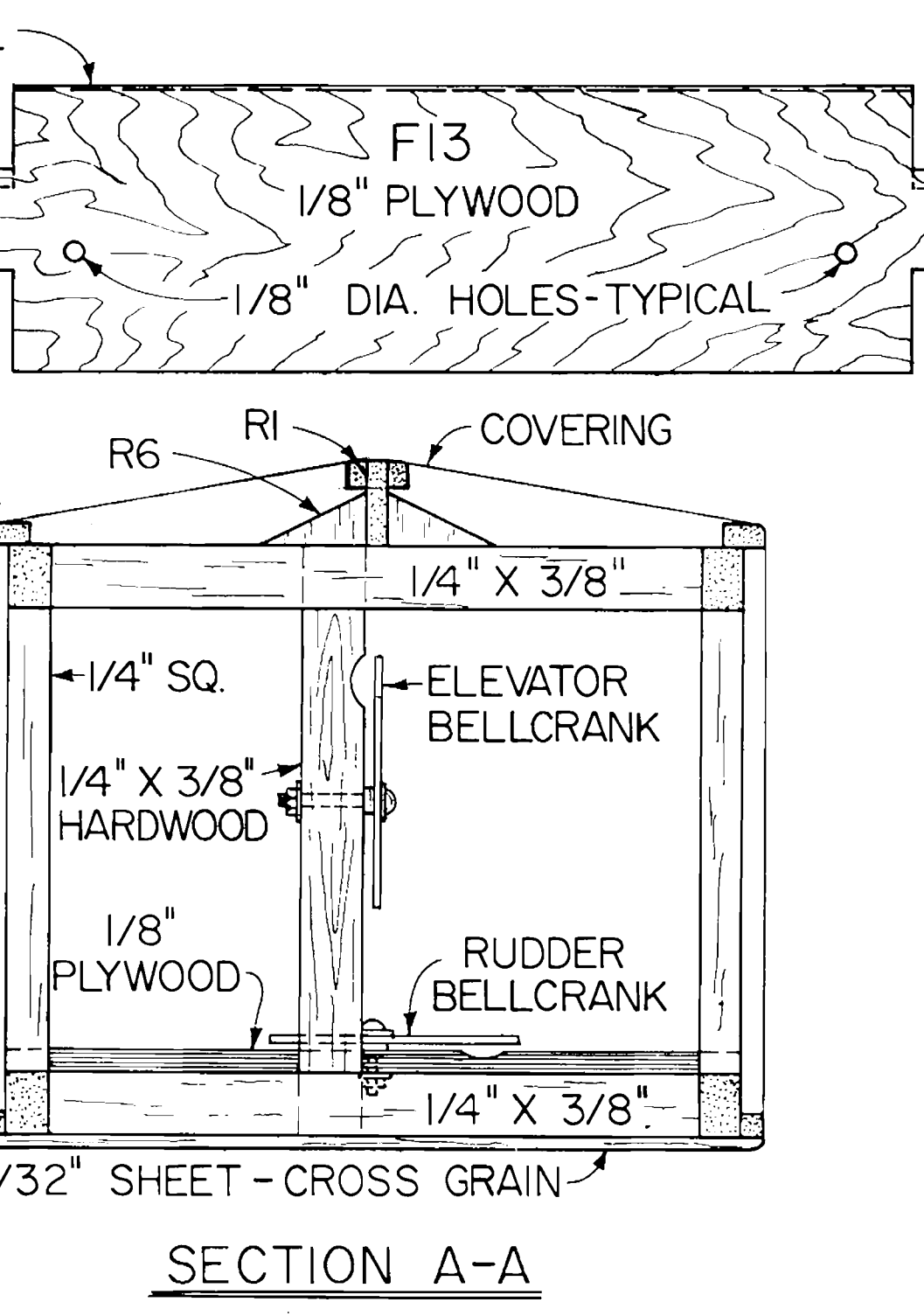
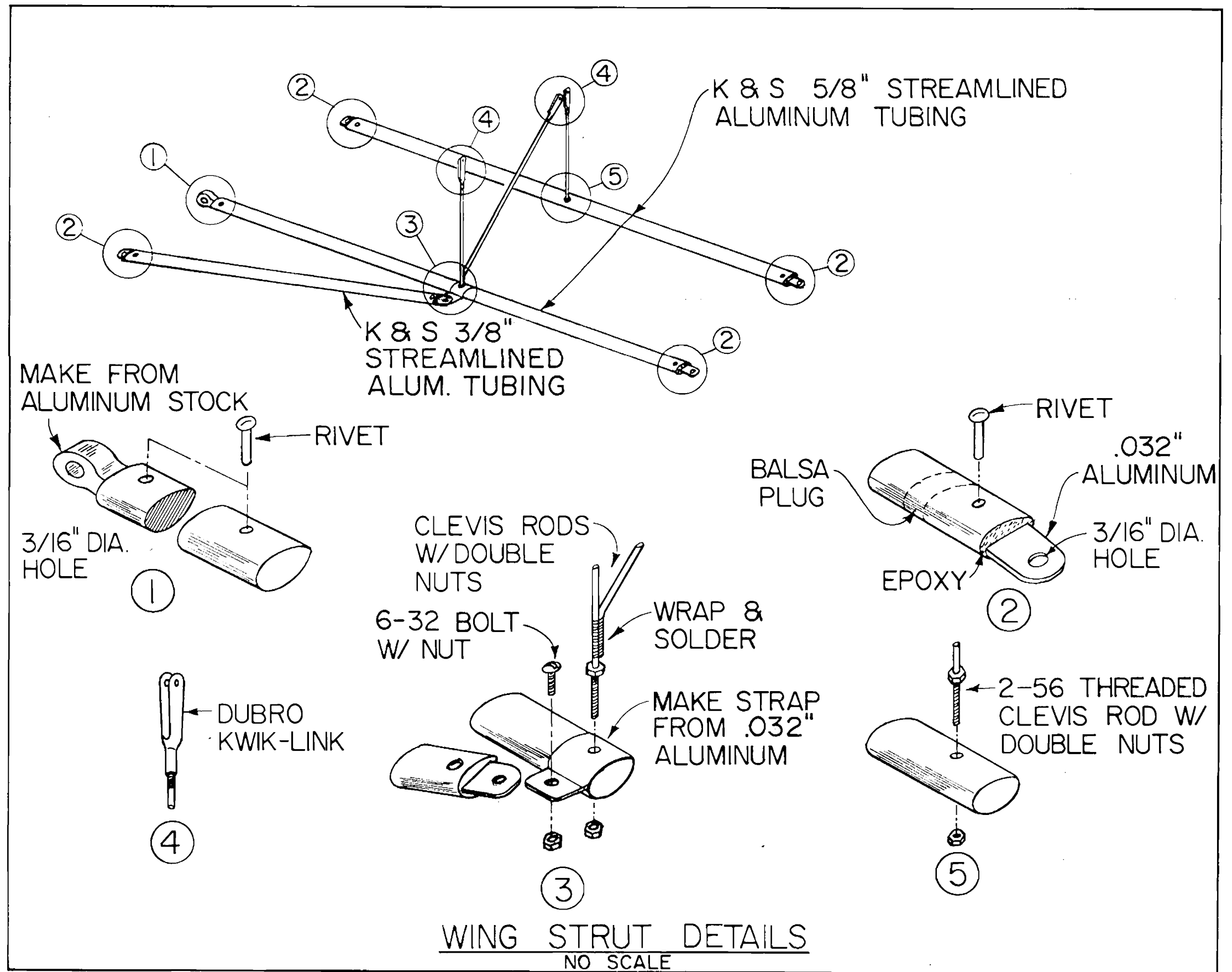
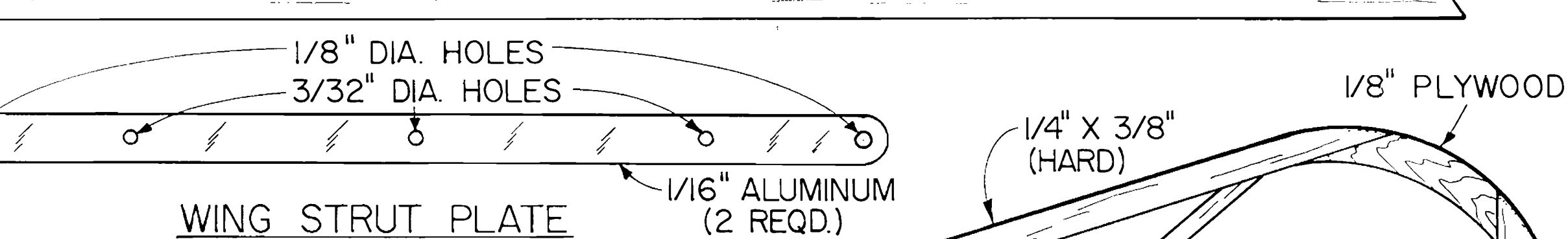
A 1/4 SCALE STAND OFF SCALE DESIGN

DESIGNED BY BRUCE R. LUND

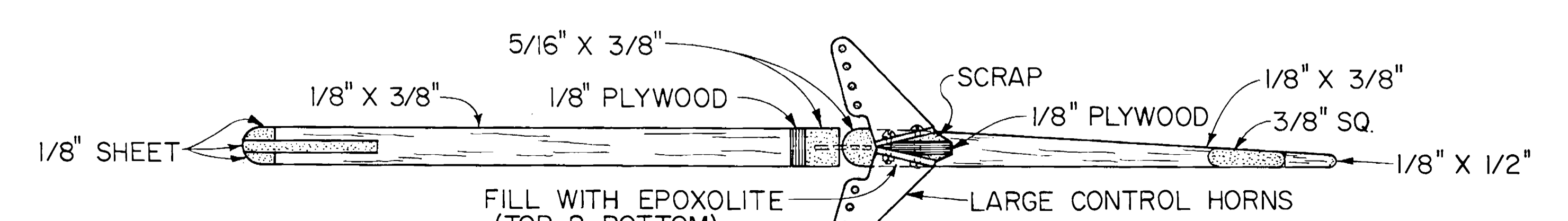
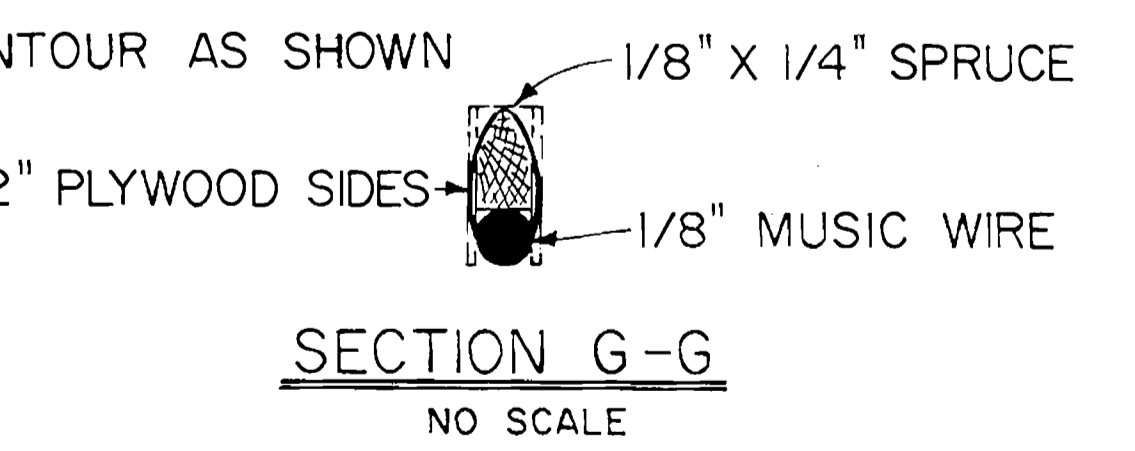
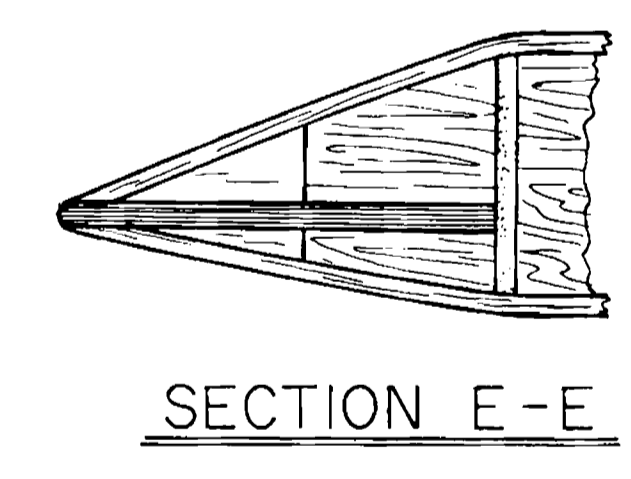
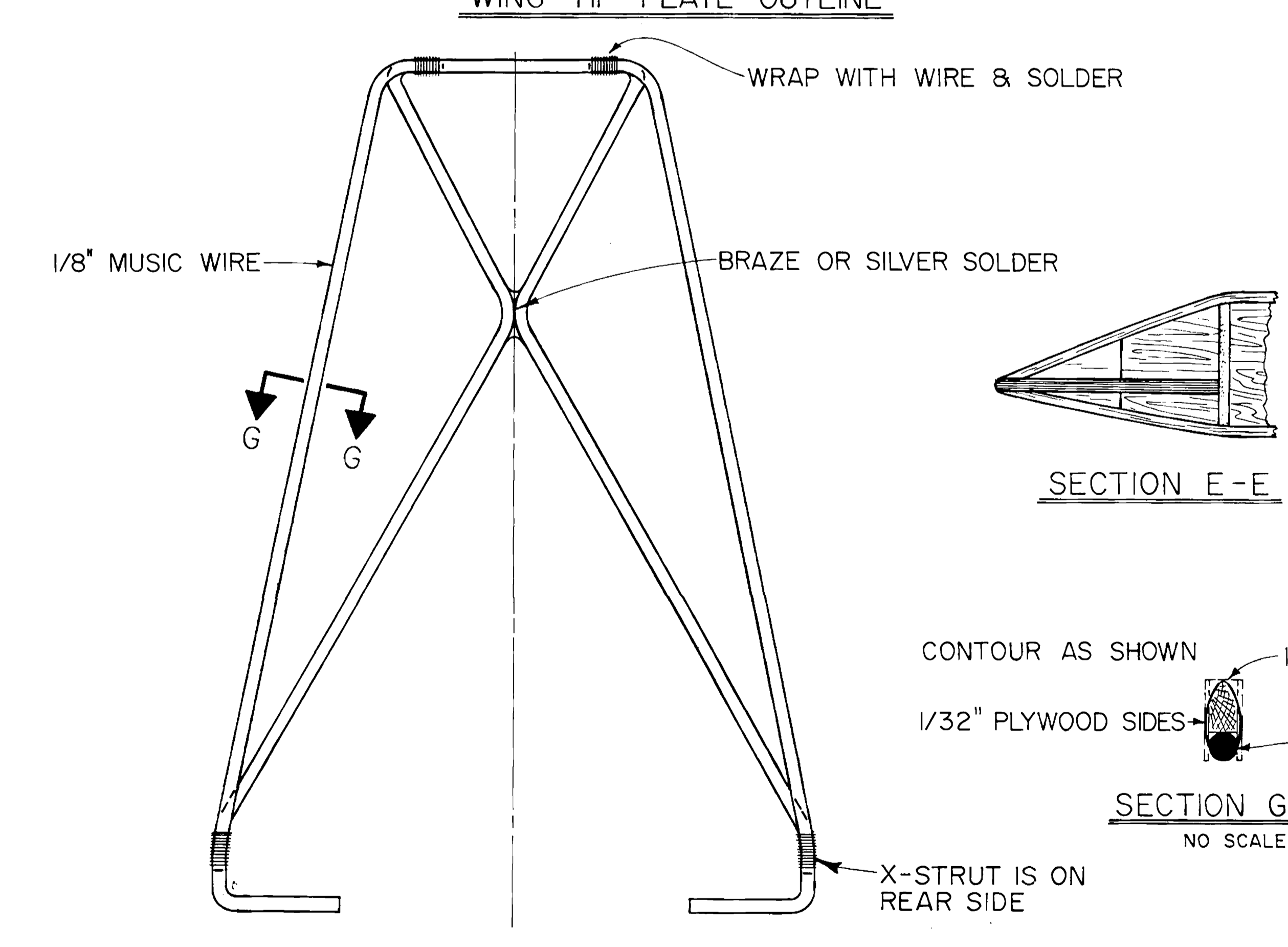
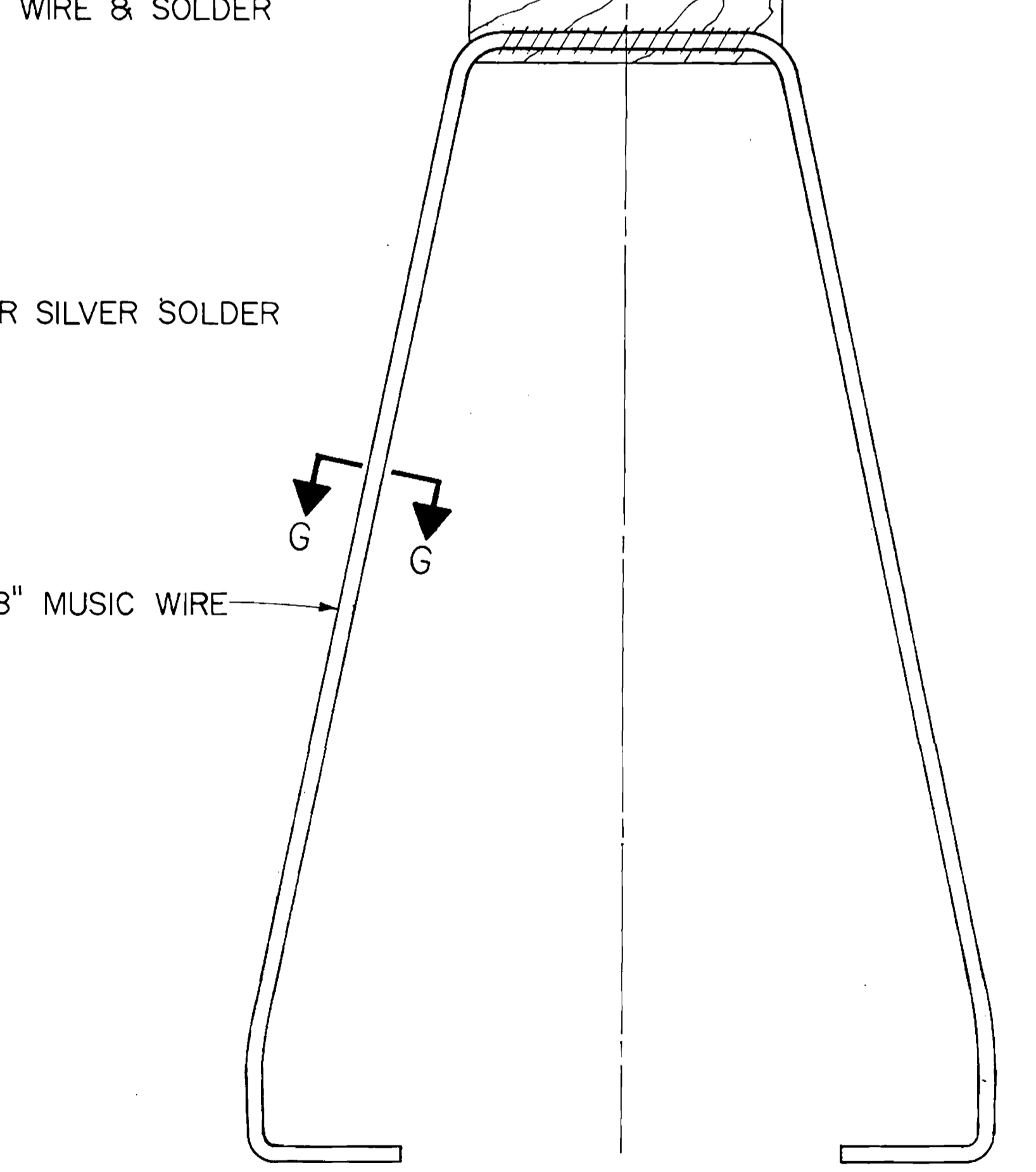
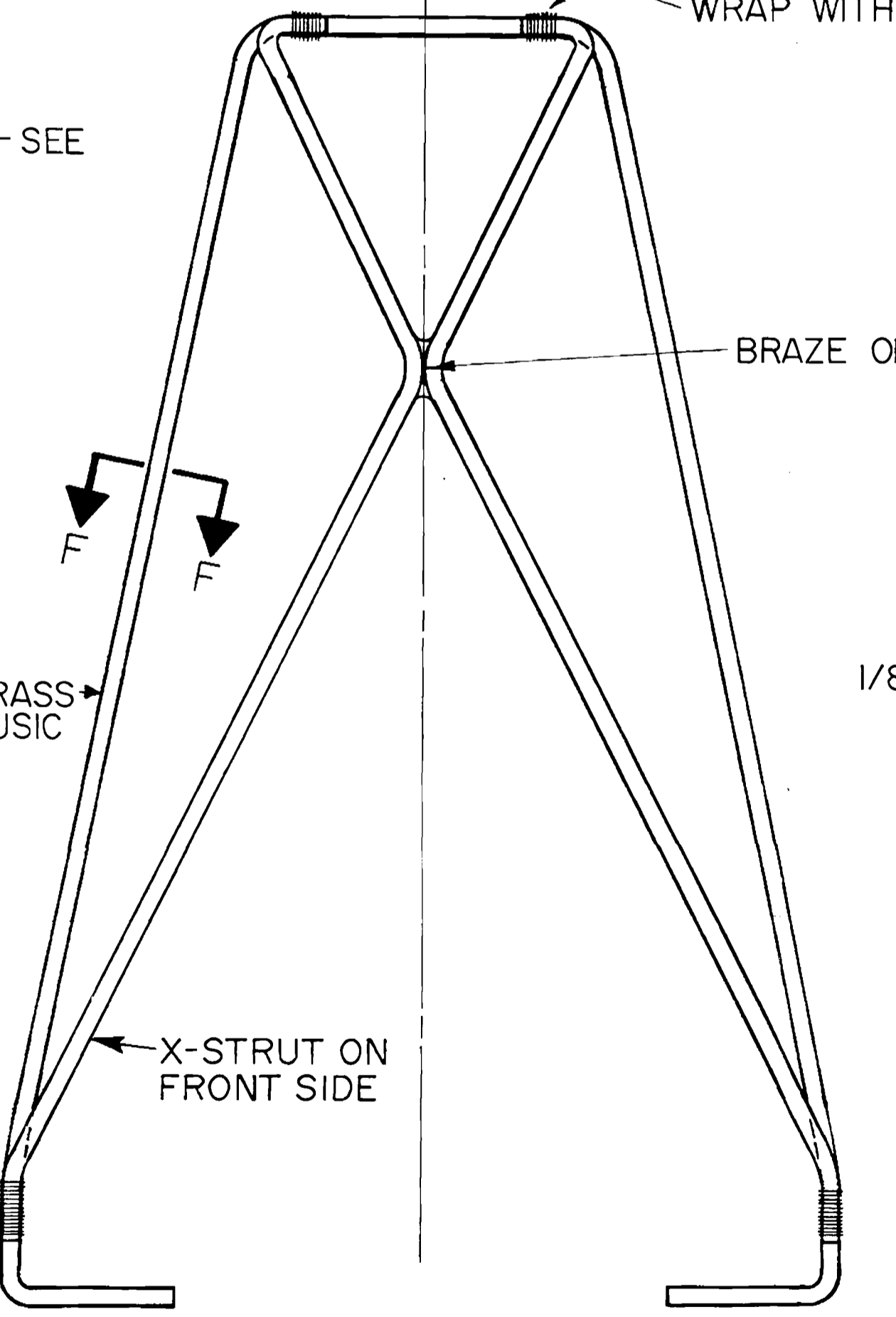
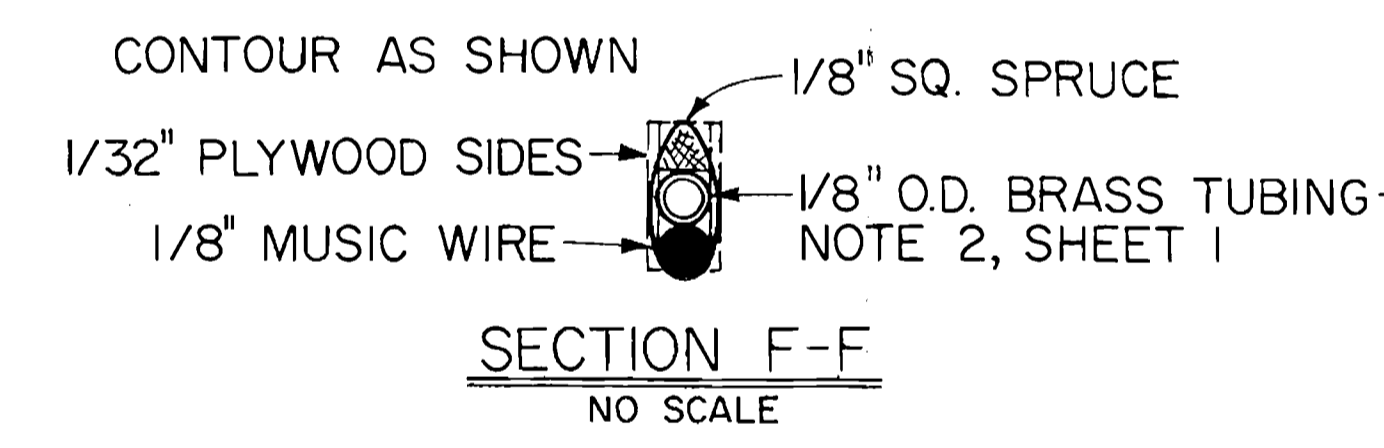
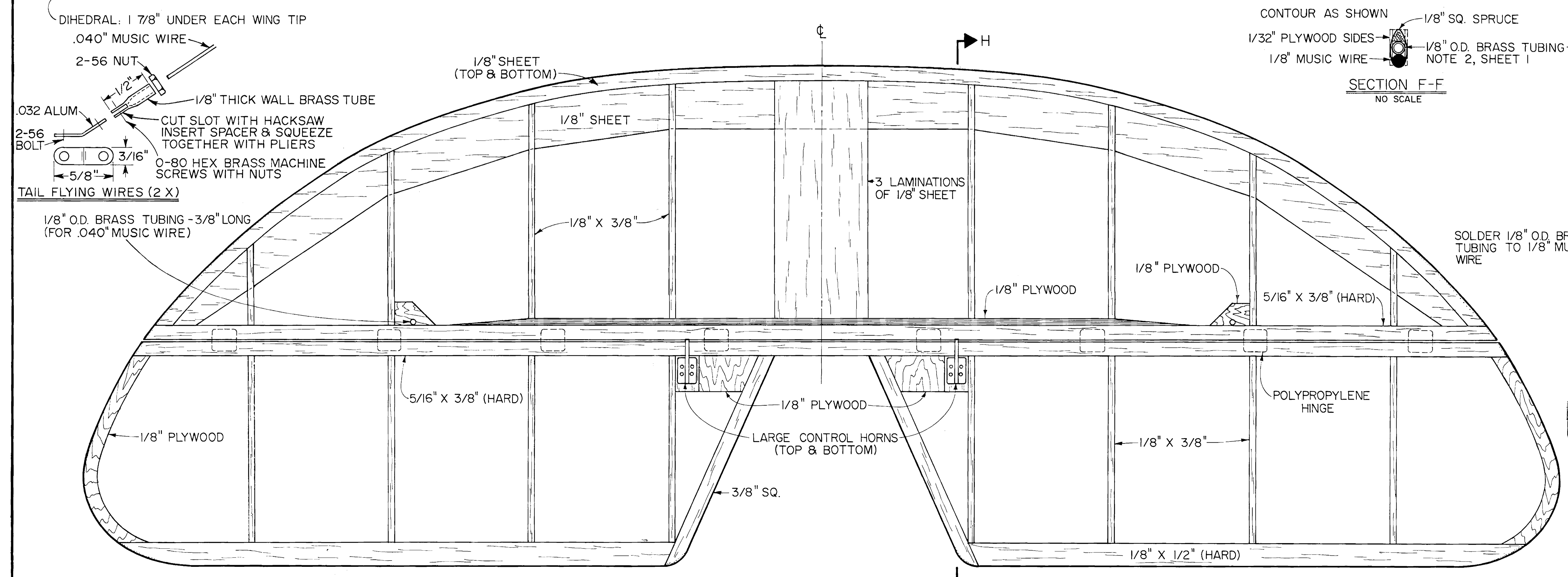
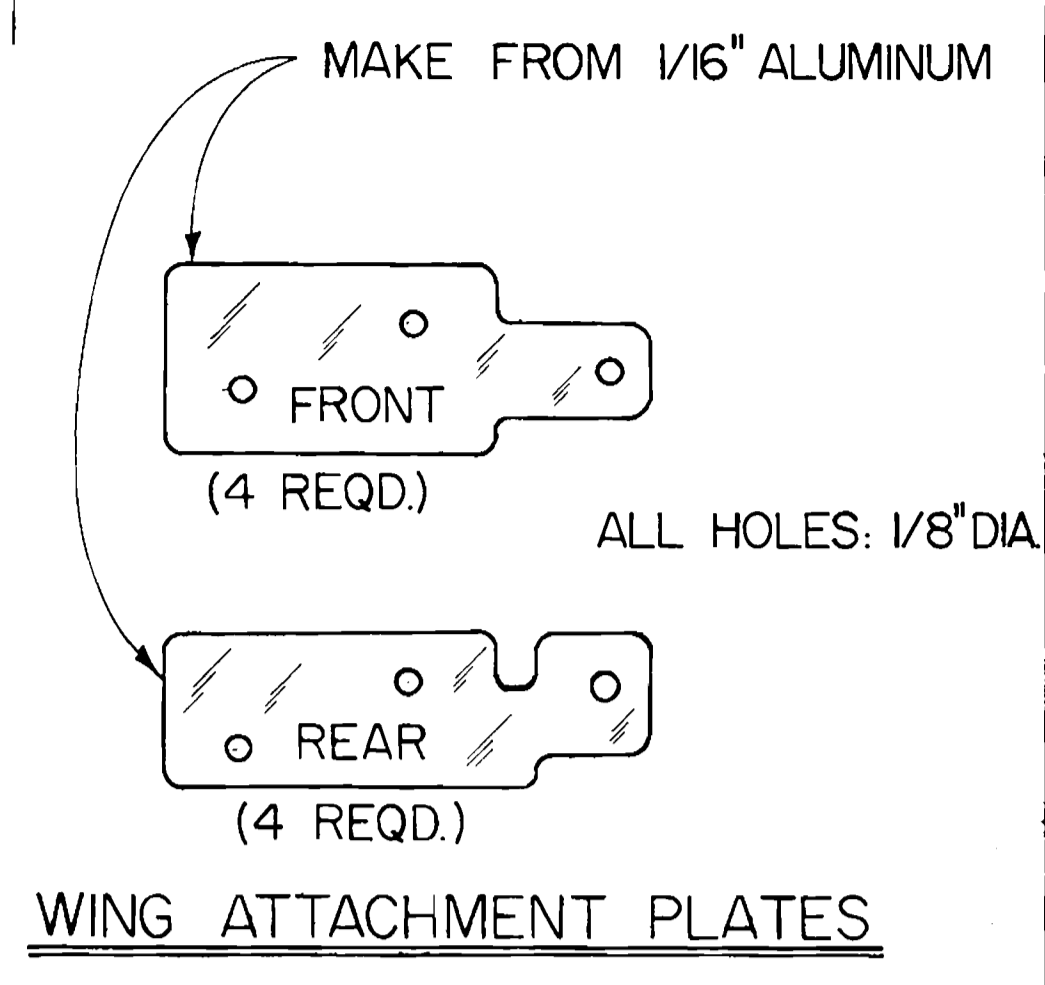
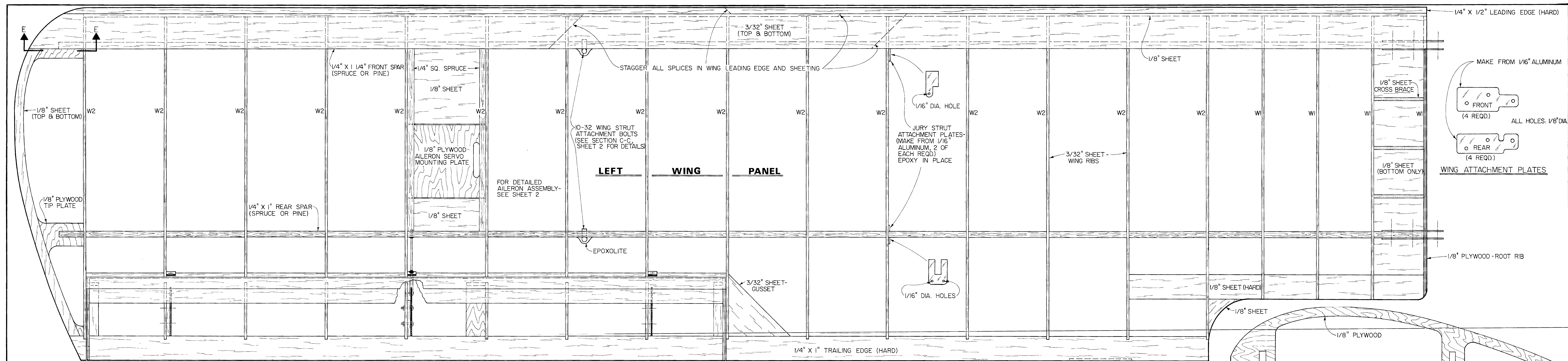
DRAWN BY *Bruce R. Lund*

SHEET 1 OF 3

PLAN NO. 767 (3)







© RCM ALL COMMERCIAL RIGHTS RESERVED

**CURTISS JUNIOR**

A 1/4 SCALE STAND OFF SCALE DESIGN

DESIGNED BY BRUCE R. LUND

DRAWN BY *Bruce R. Lund*

SHEET 3 OF 3

PLAN NO. 767