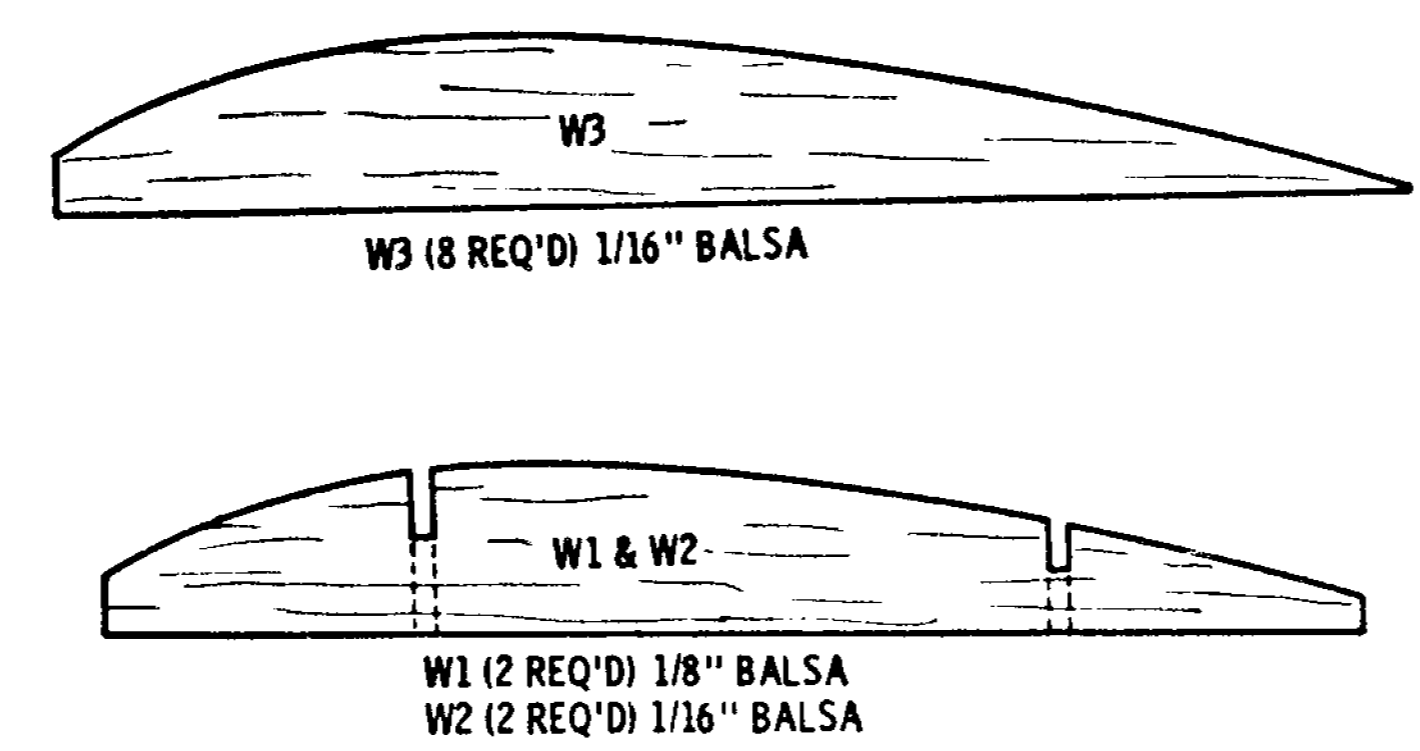
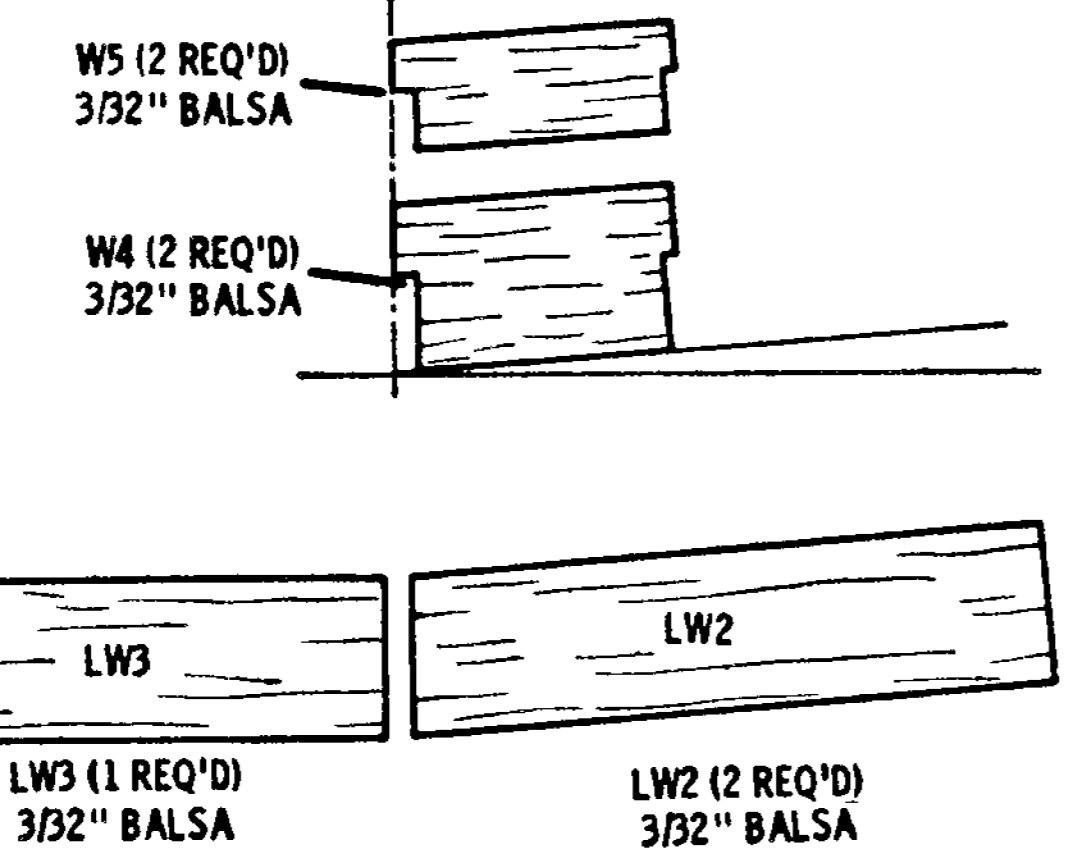


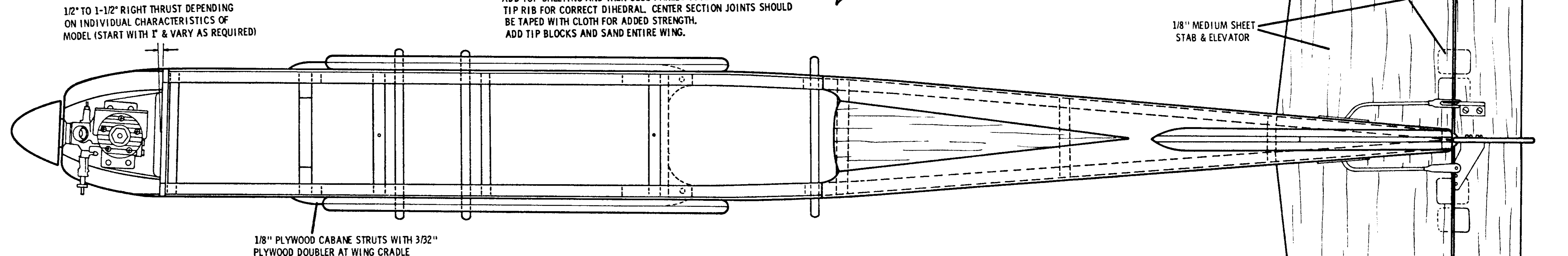
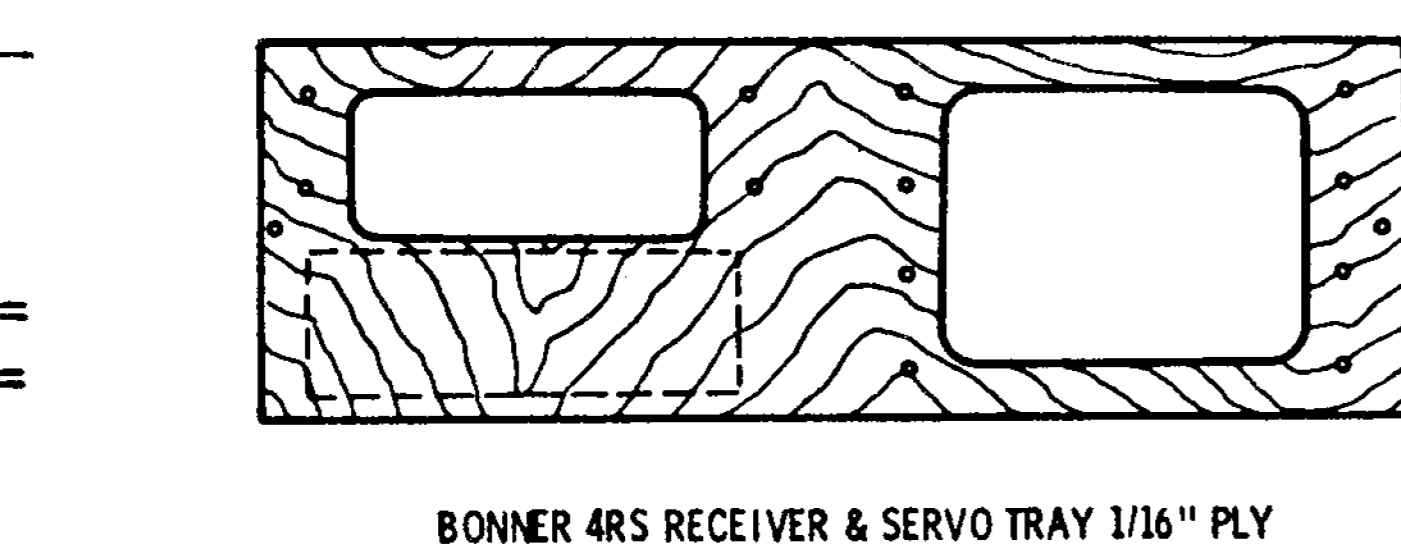
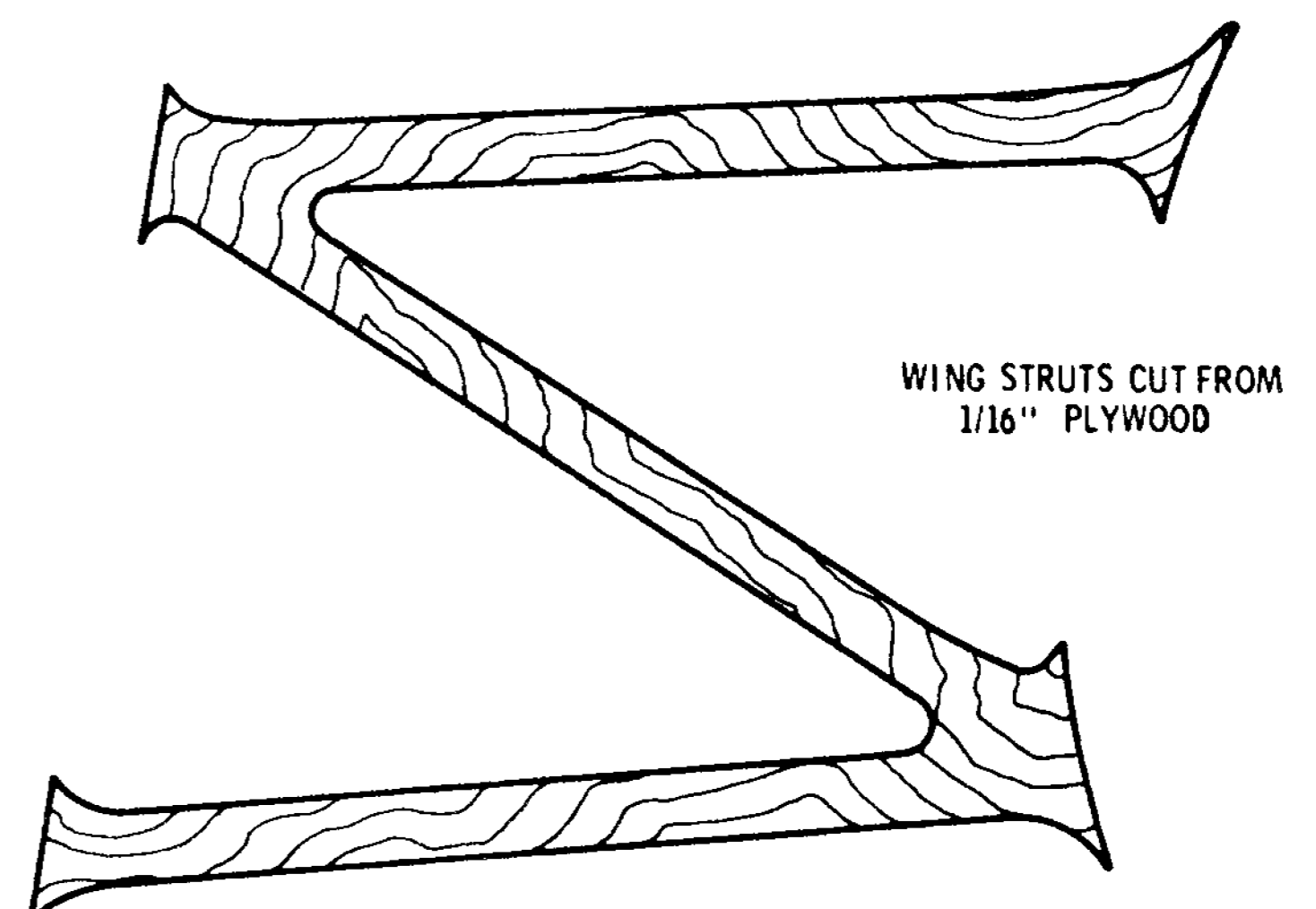
SOFT BALS TIP BLOCK

1/16" SHEET BALS TOP & BOTTOM

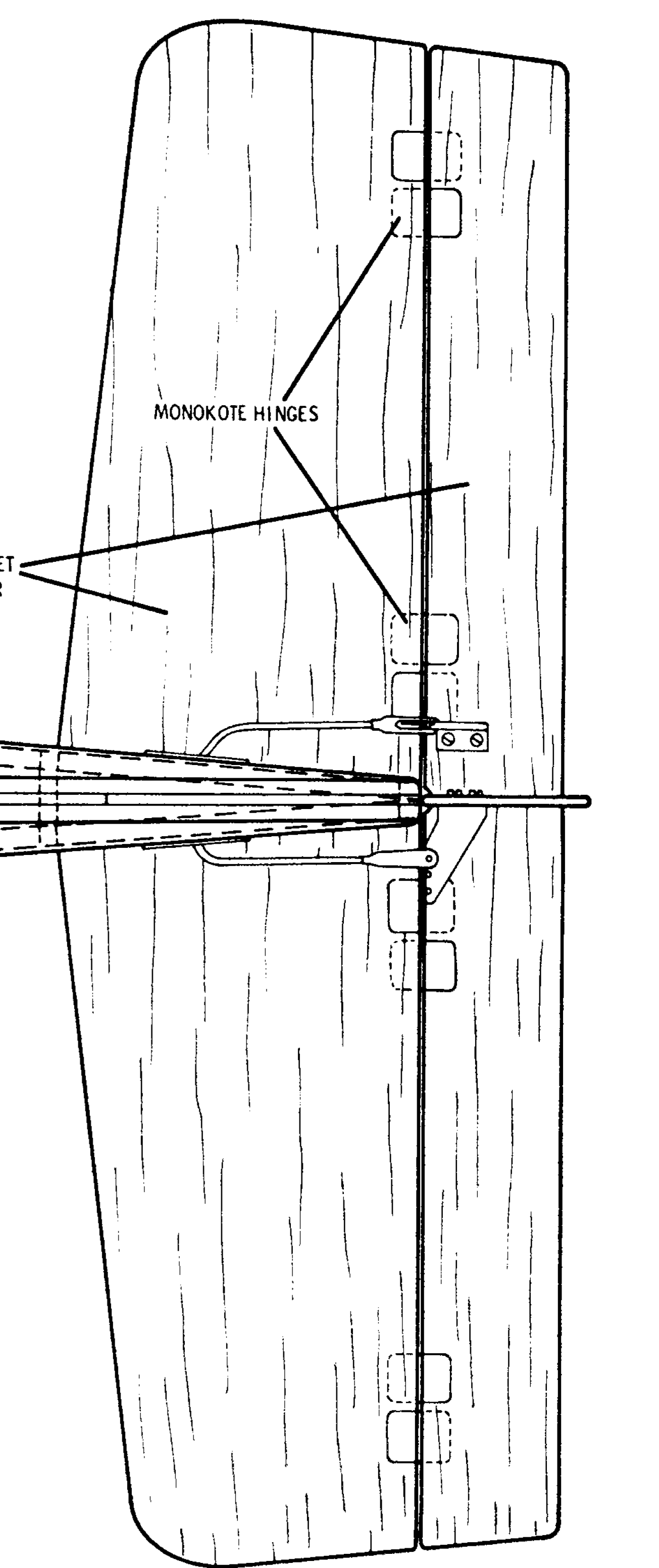
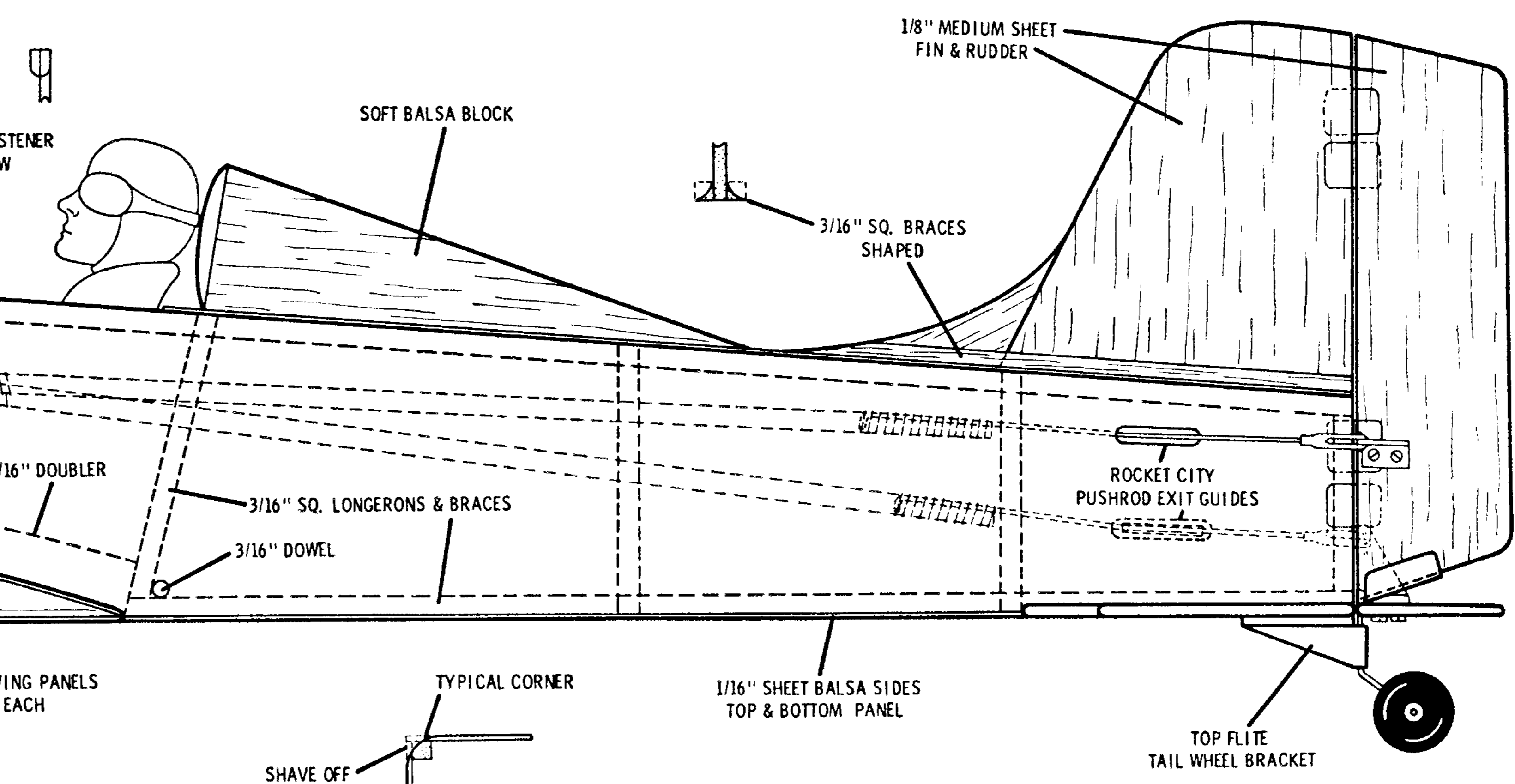
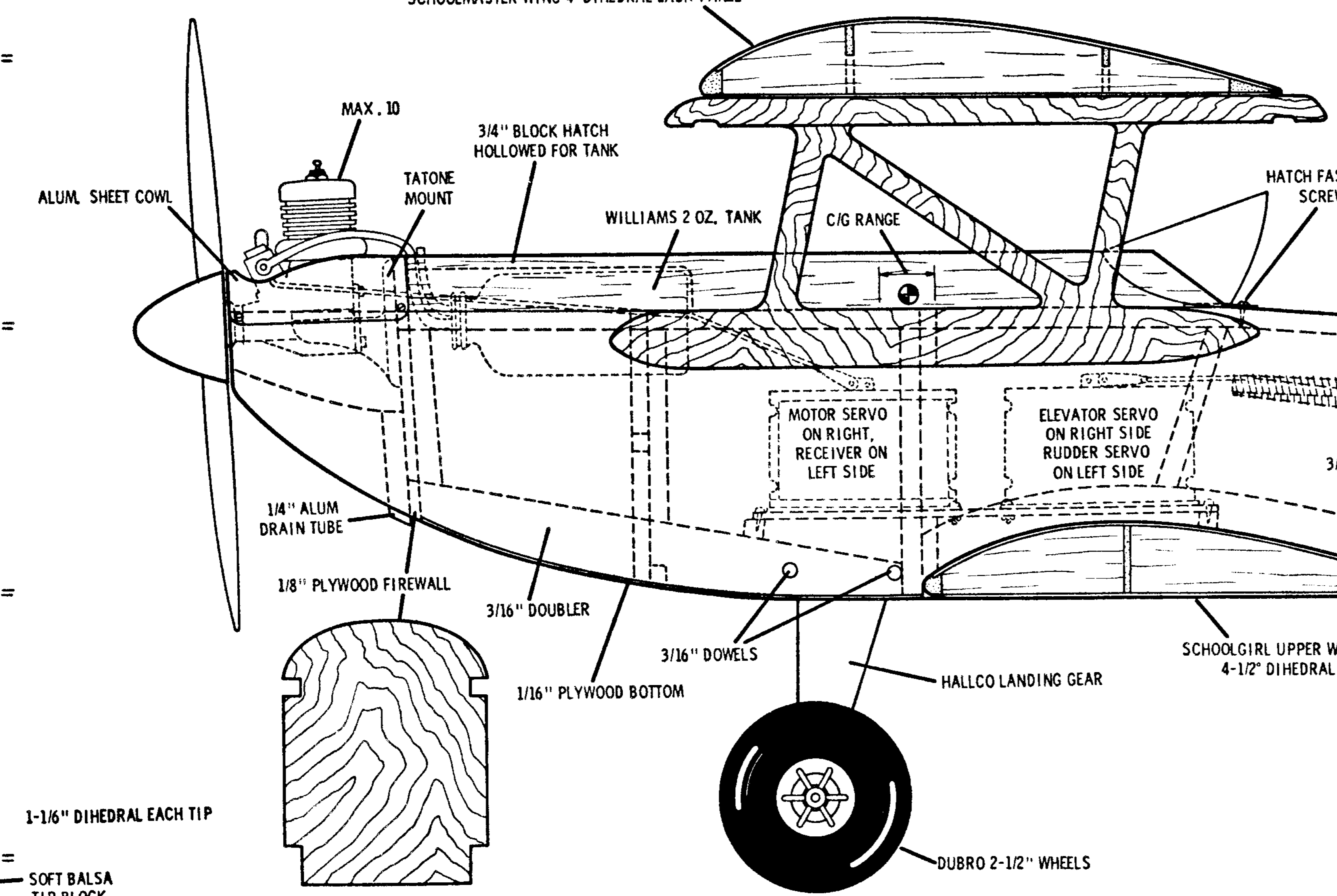
RIBS CUT FROM 1/16" BALS



WING CONSTRUCTION: CUT BOTTOM SHEETING TO PROPER WIDTH & CEMENT TOGETHER. PIN BOTTOM SHEETING TO BENCH & GLUE RIBS IN PLACE. ADD BRACING IN CENTER SECTION. TILT CENTER RIBS TO FORM CORRECT DIHEDRAL ANGLE. ADD TOP SHEETING AND THEN GLUE PANELS TOGETHER BLOCKING TIP RIB FOR CORRECT DIHEDRAL. CENTER SECTION JOINTS SHOULD BE TAPED WITH CLOTH FOR ADDED STRENGTH. ADD TIP BLOCKS AND SAND ENTIRE WING.

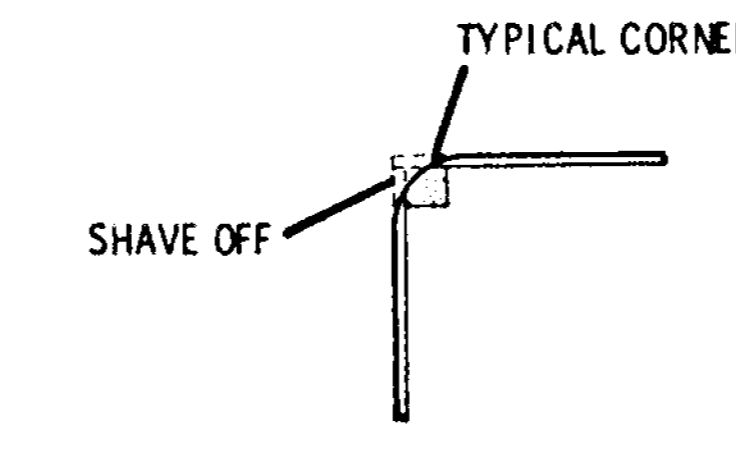


LEADING EDGE SHAPED FROM 1/4" SQ. BALS



1-1/16" DIHEDRAL EACH TIP

SOFT BALS TIP BLOCK



R/C MODELER MAGAZINE CLASSMATE

DESIGNED & DRAWN BY: KEN WILLARD INKED BY: GERARDO FLORES

By H.E.