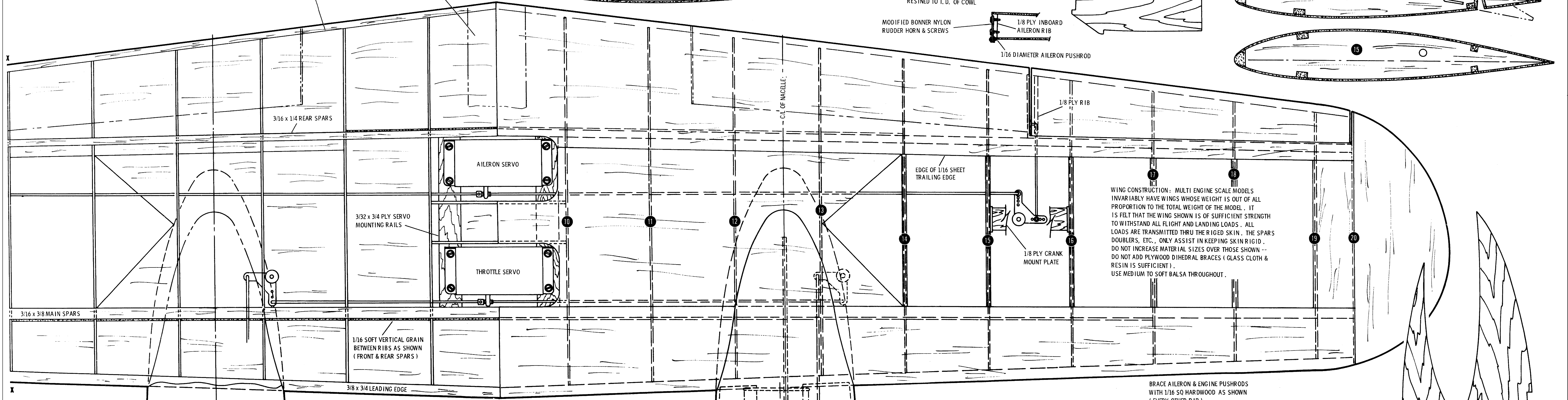
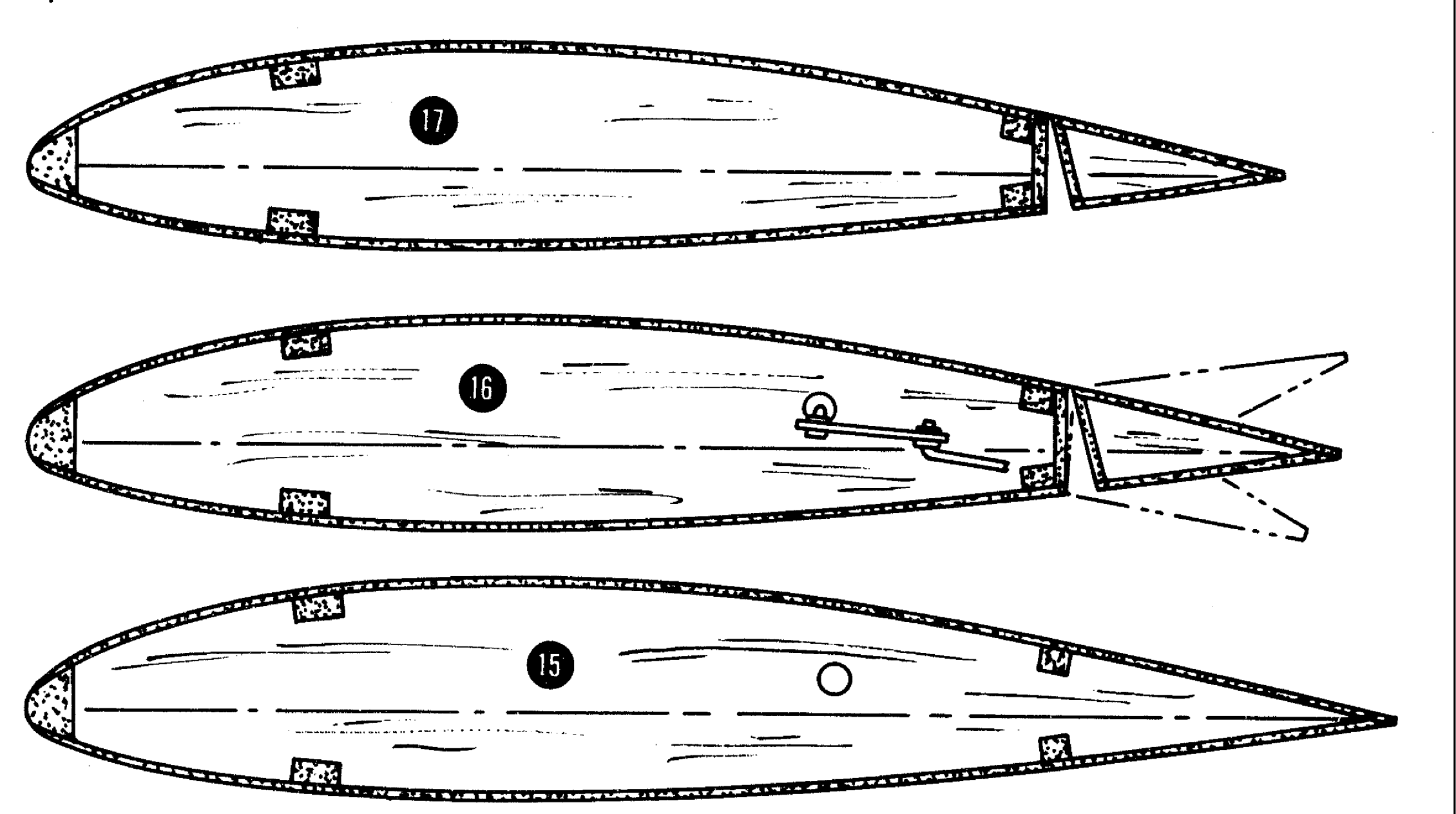
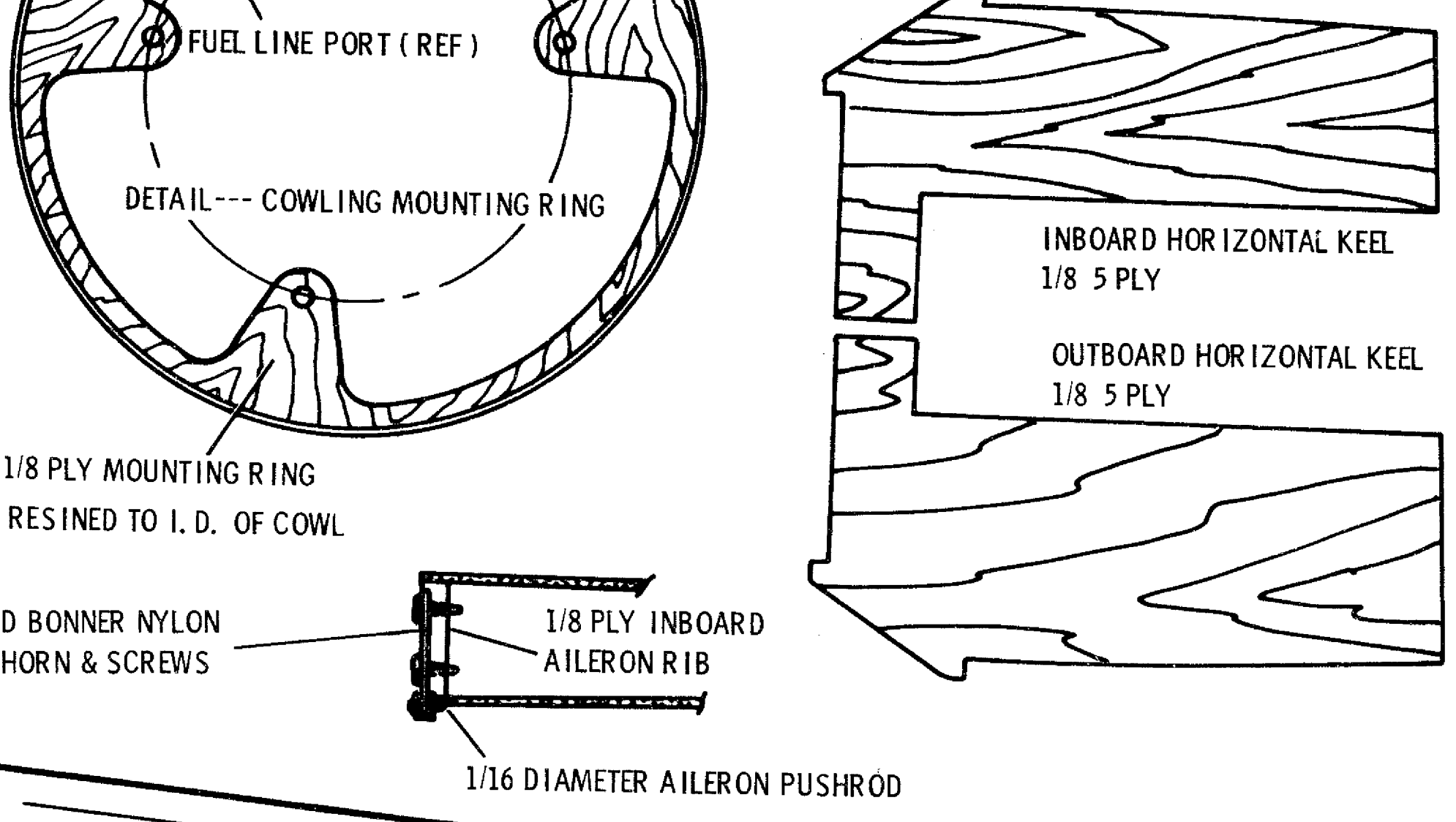
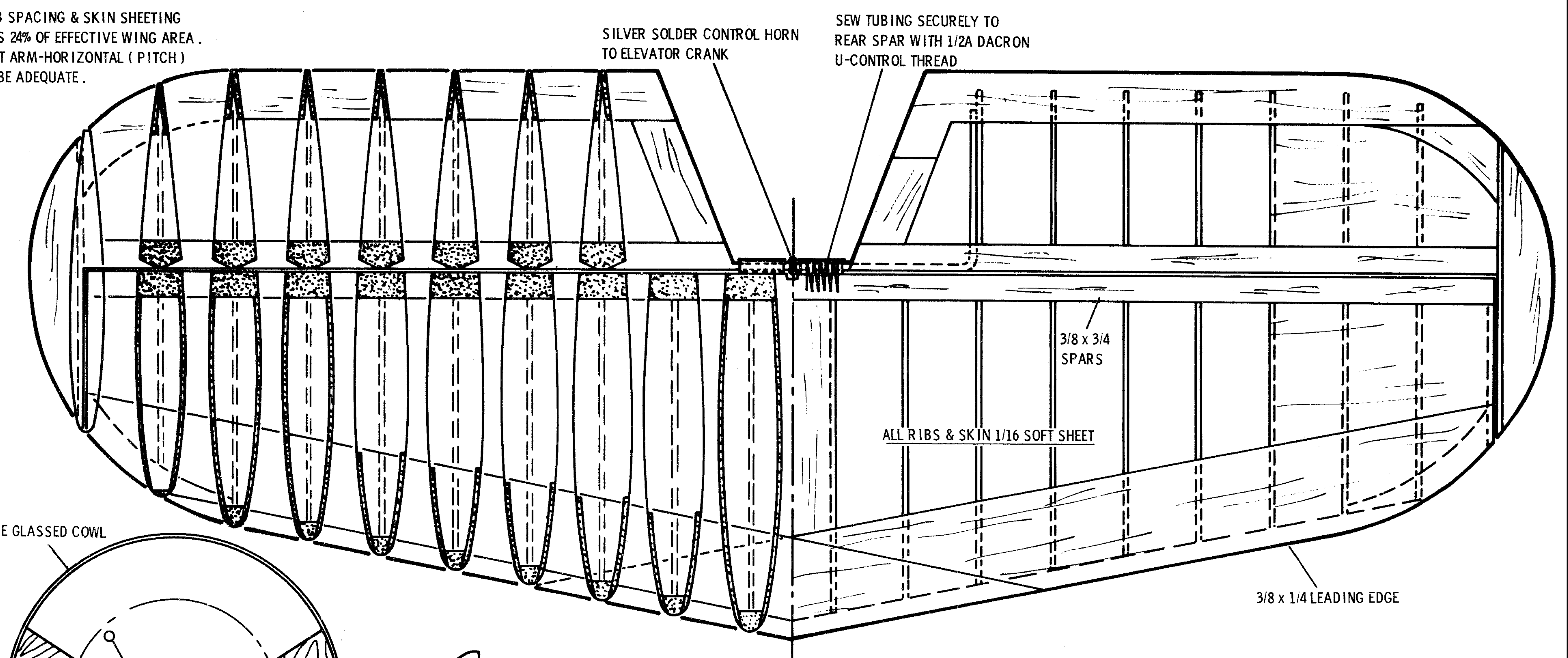


STABILIZER & ELEVATOR RIB SPACING & SKIN SHEETING ARE EXACT SCALE. AREA IS 24% OF EFFECTIVE WING AREA. WITH THE LONG TAIL MOMENT ARM-HORIZONTAL (PITCH) STABILITY IS EXPECTED TO BE ADEQUATE.



NACELLE ASSEMBLY SEQUENCE
 1. POSITION VERTICAL KEEL ON WING & CEMENT
 2. INSTALL MODIFIED TANK IN KEEL

