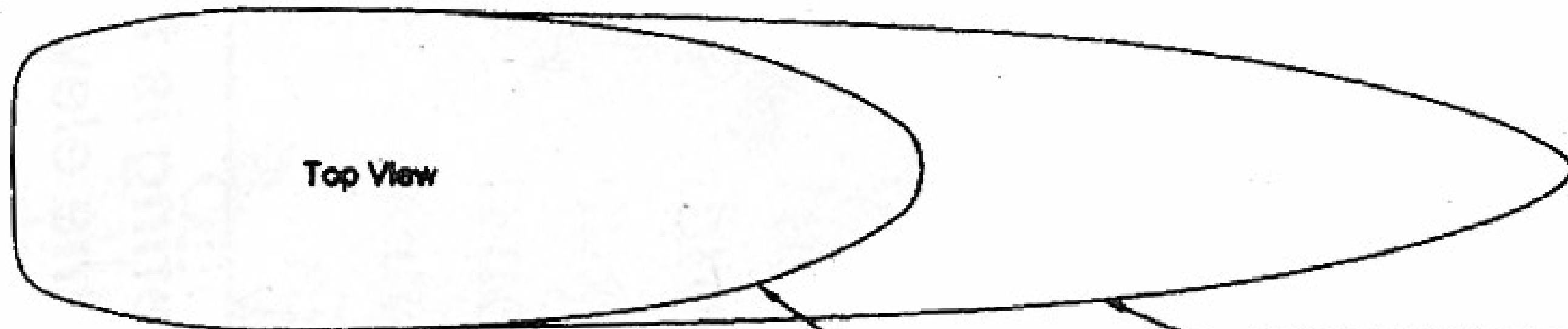
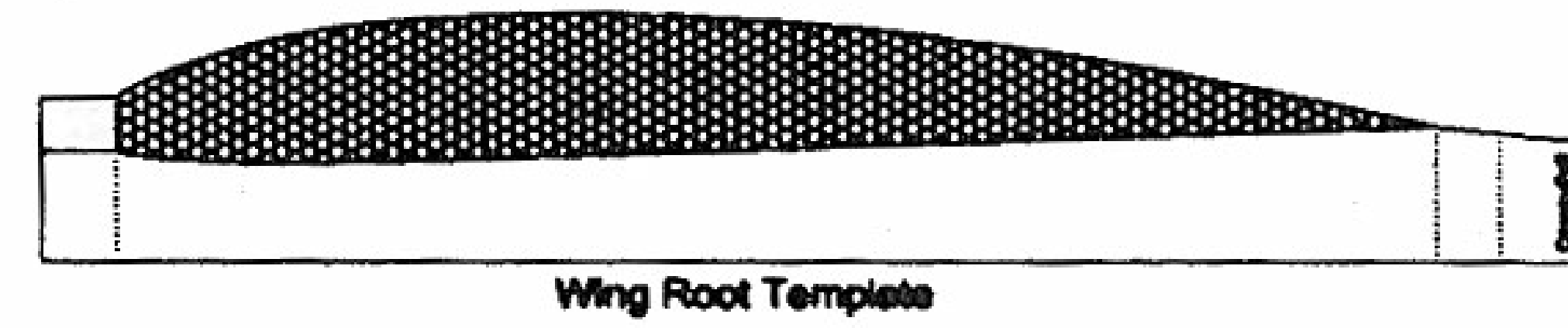
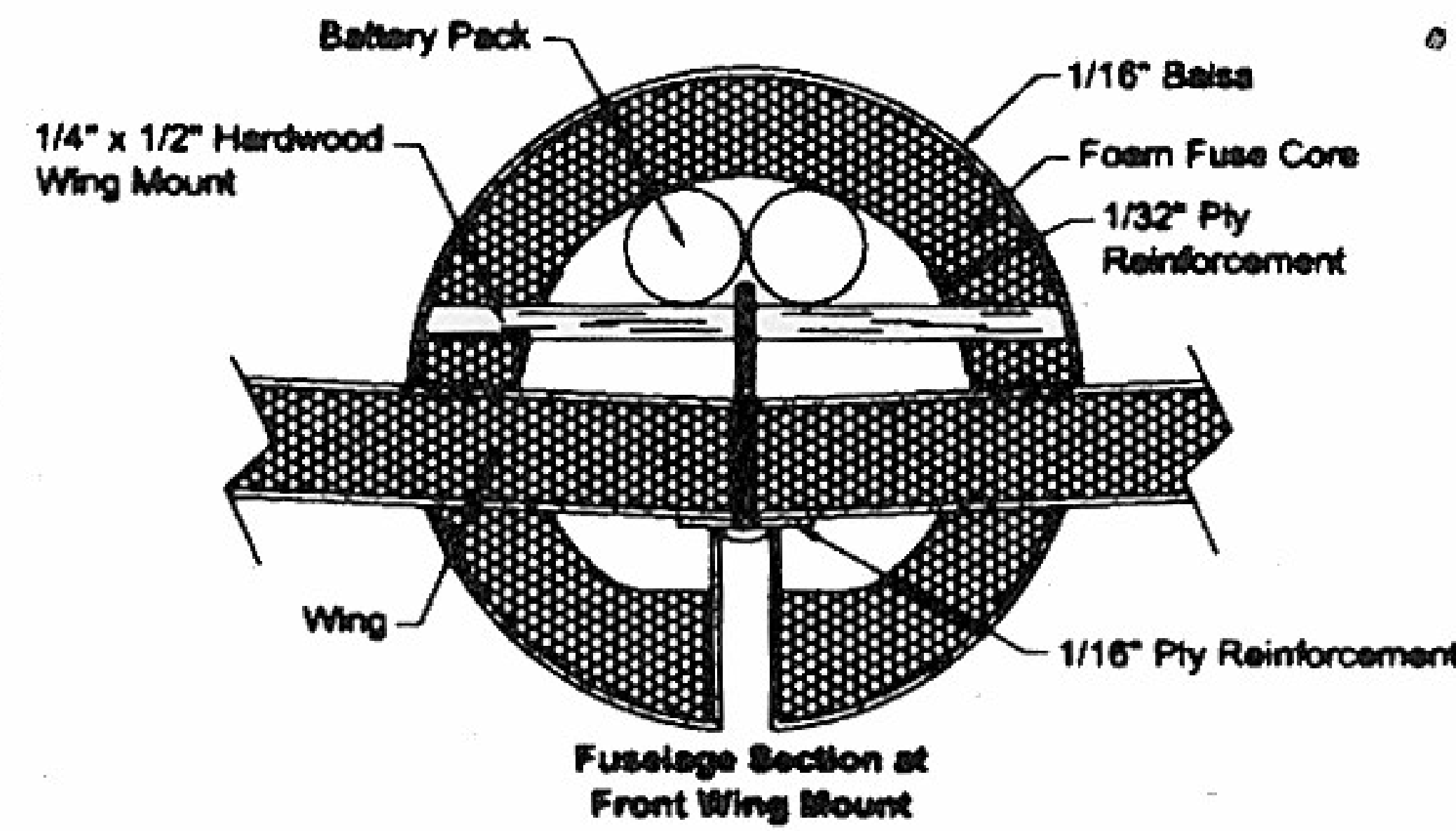
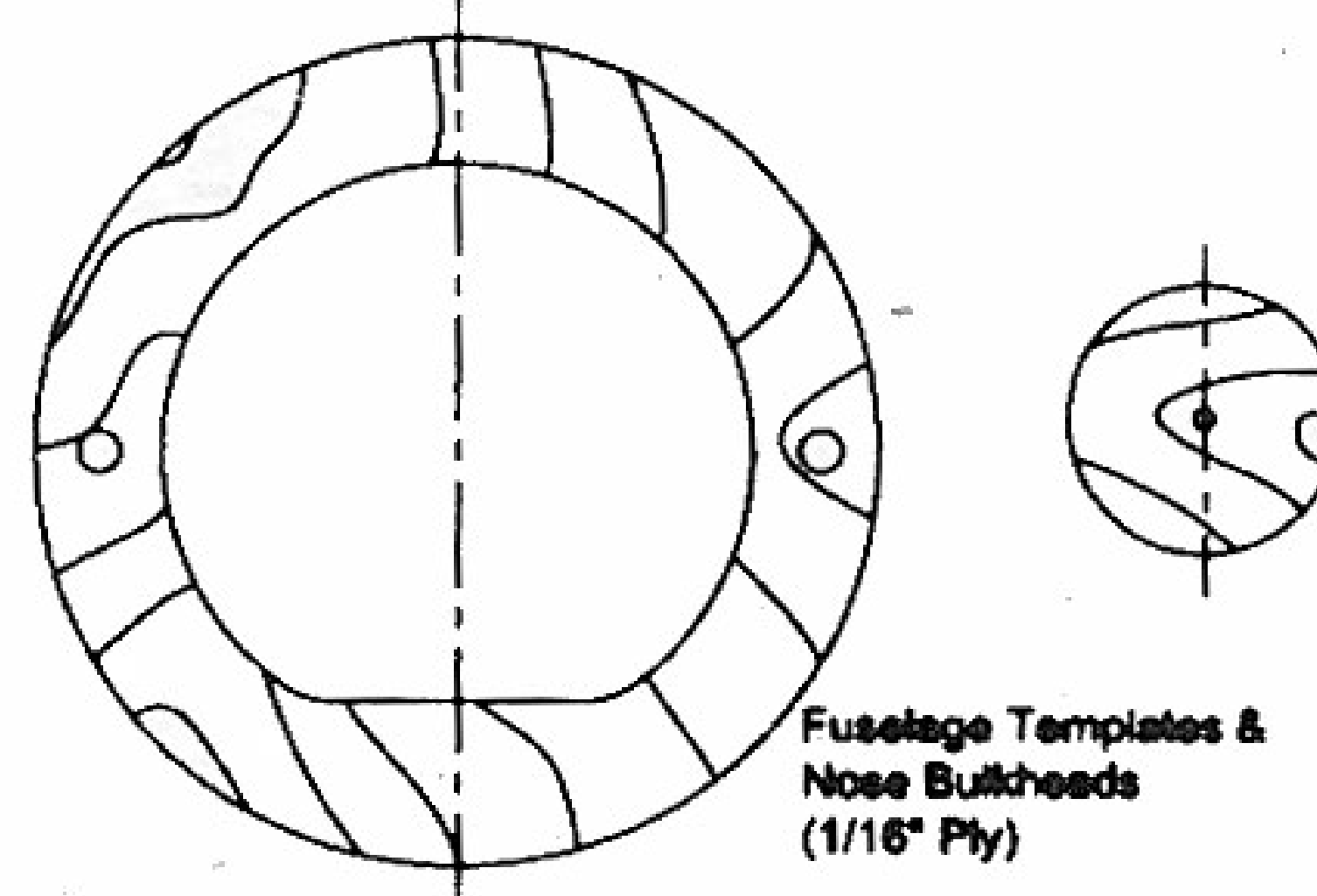
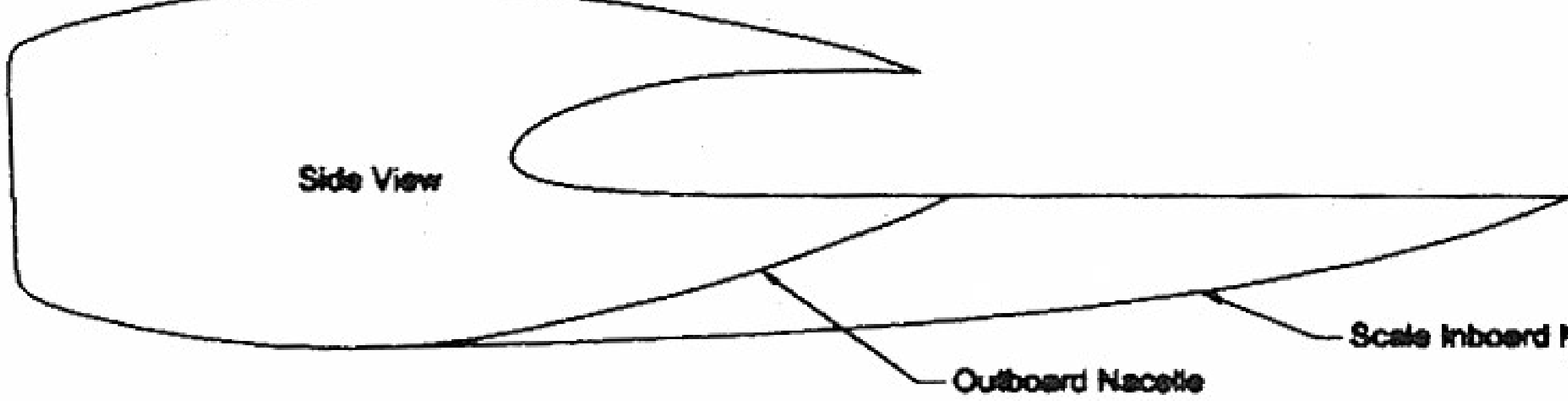


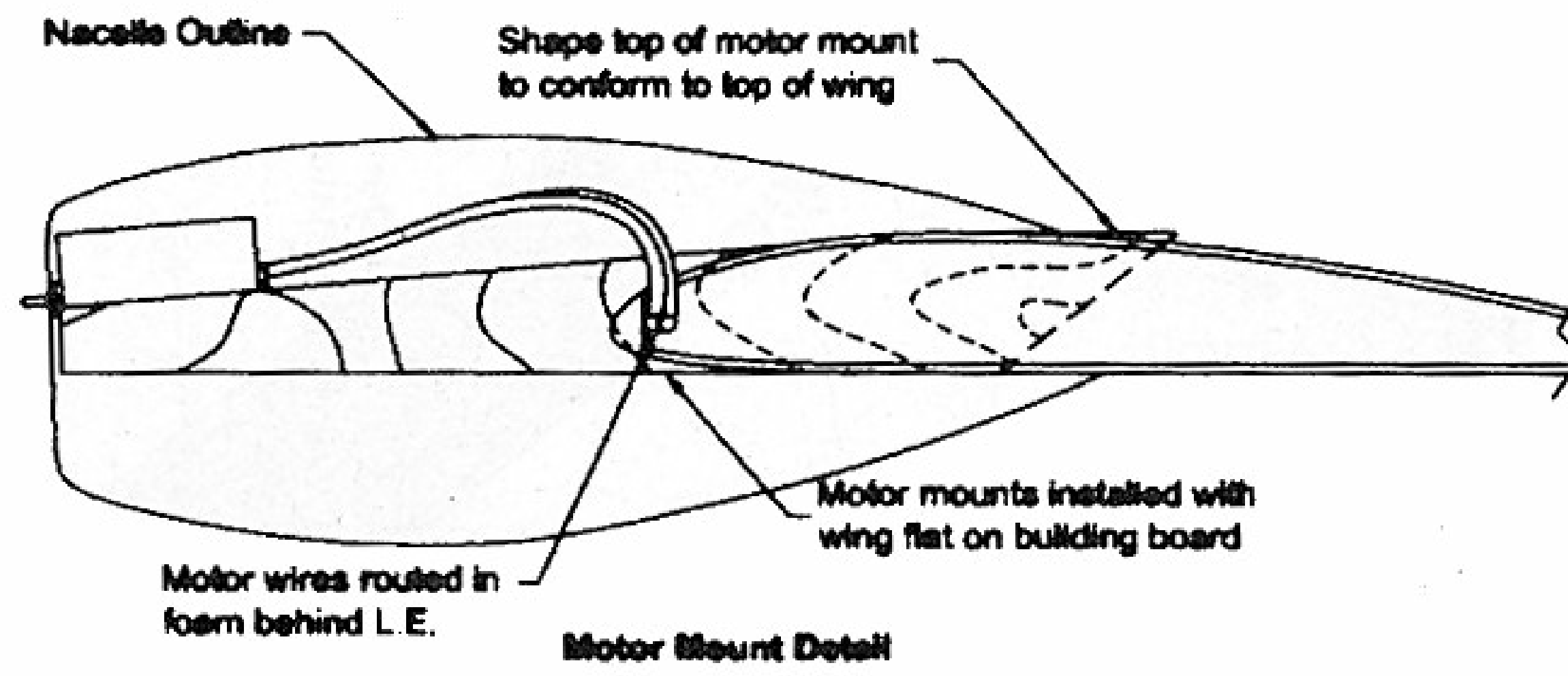
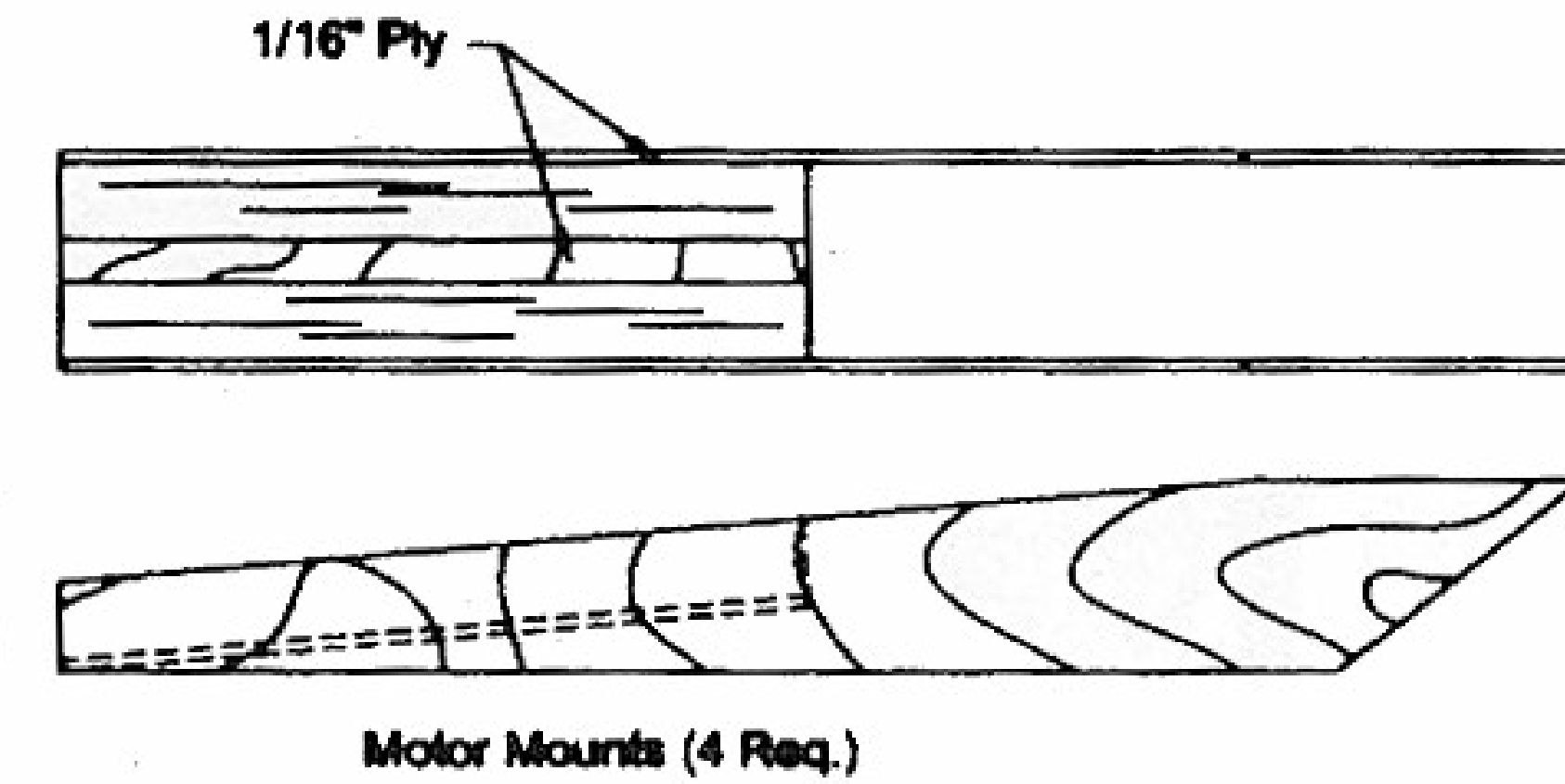
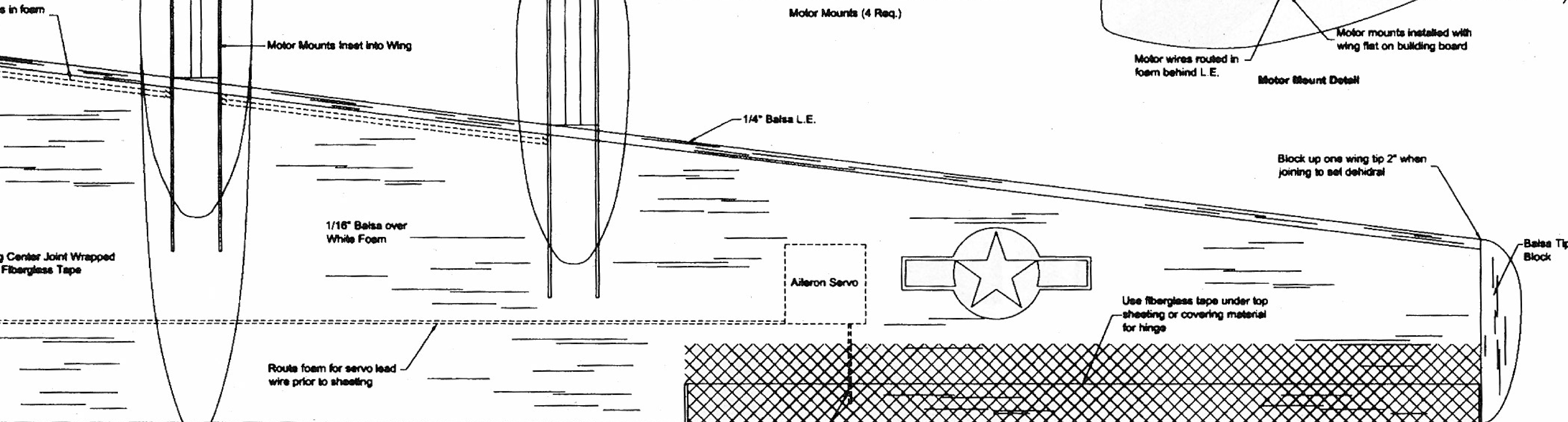
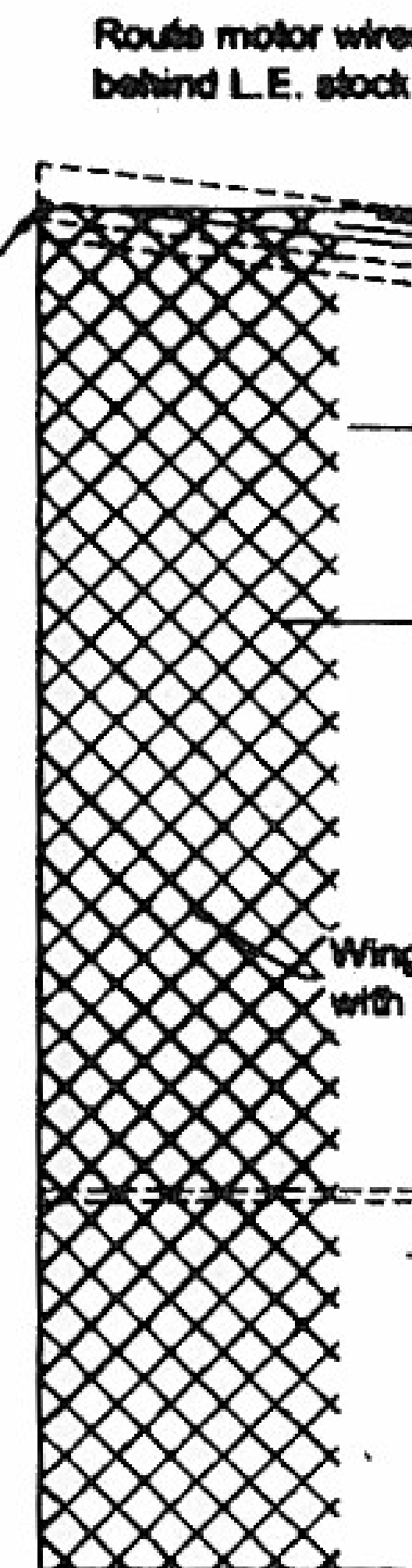
Optional Foam Wing and Fuselage Cores Available from:
Dennis Buno
8282 Woodland Shore Drive
Brighton, MI 48114
88282@earthlink.net



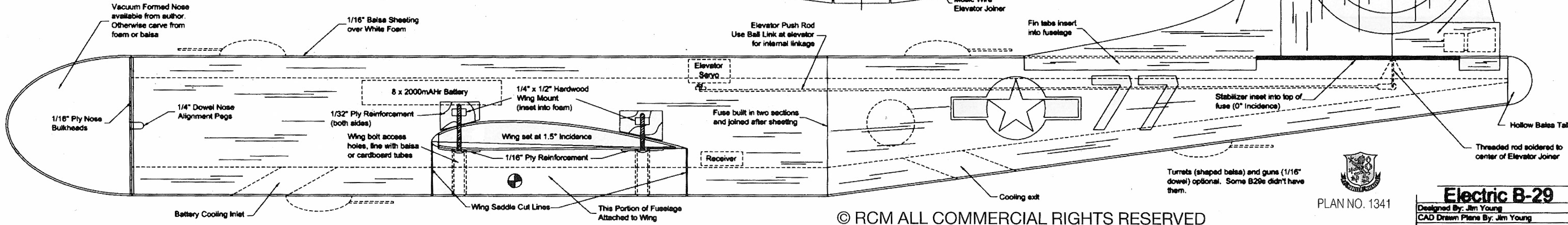
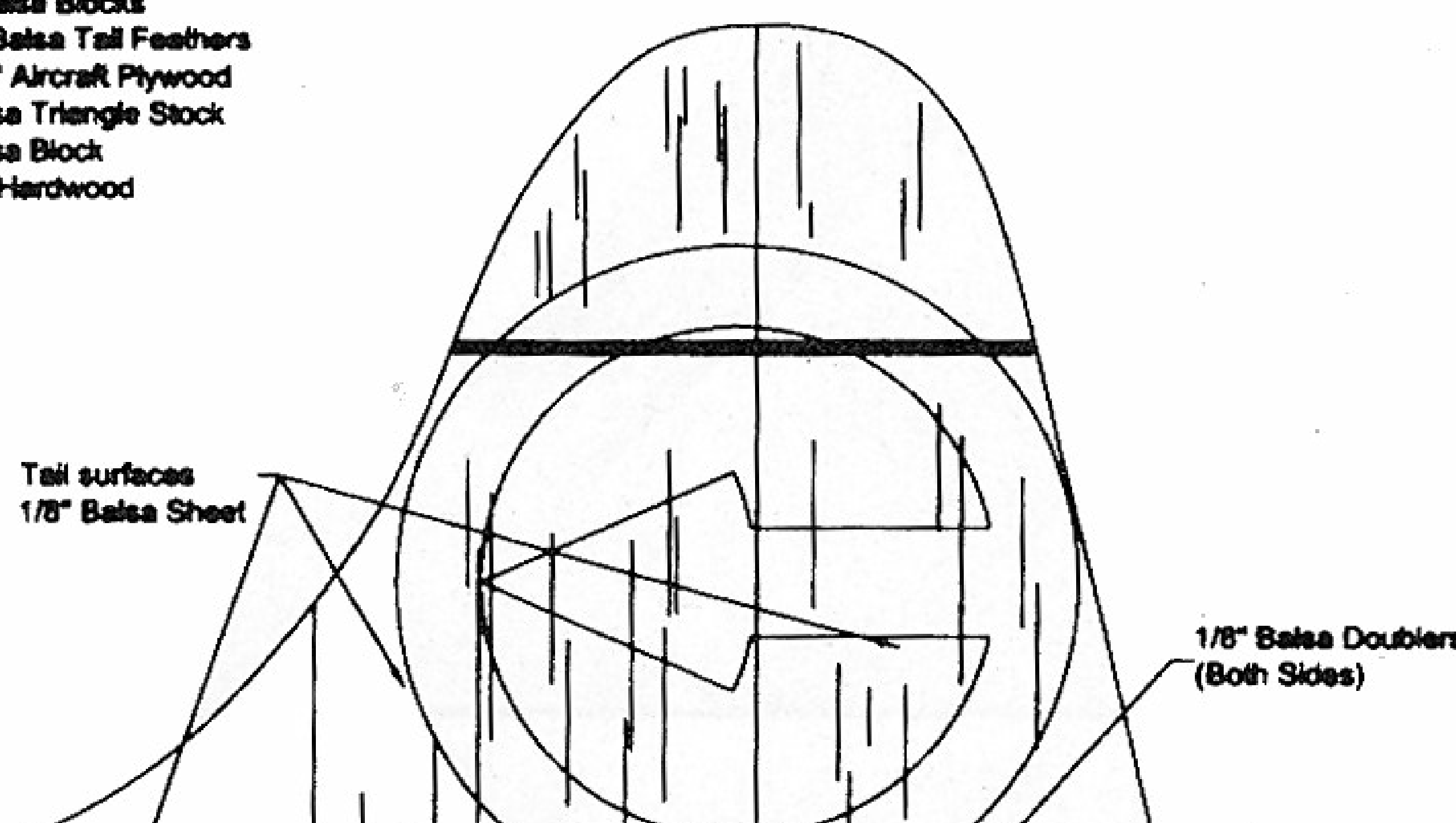
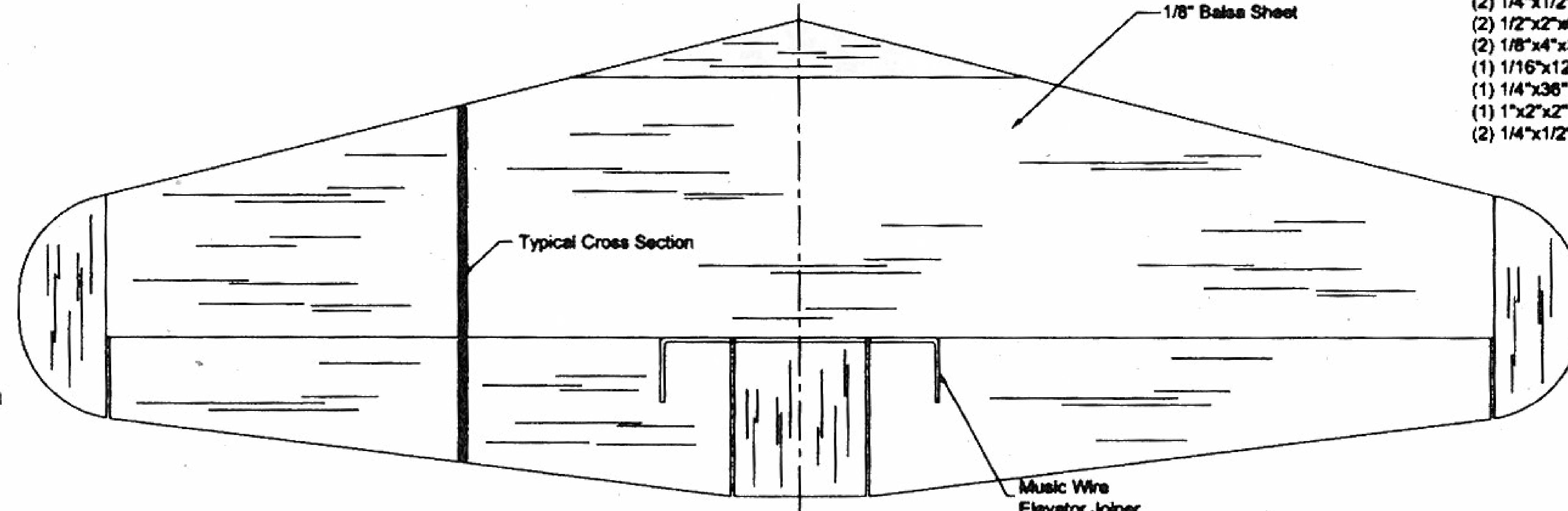
Vacuum formed nacelles available from author
Otherwise carve from foam or balsa



Optional Vacuum Formed Parts Available from:
Jim Young
9356 Wendover Ct.
Brighton, MI 48116



- Materials List:
- (8) 1/16"x4"x36" Balsa Fuse Sheeting
 - (8) 1/16"x4"x48" Balsa Wing Sheeting
 - (2) 1/4"x1/2"x48" Balsa L.E.
 - (2) 1/2"x2"x6" Balsa Blocks
 - (2) 1/8"x4"x36" Balsa Tail Feathers
 - (1) 1/16"x12x24" Aircraft Plywood
 - (1) 1/4"x36" Balsa Triangle Stock
 - (1) 1"x2"x2" Balsa Block
 - (2) 1/4"x1/2"x5" Hardwood



© RCM ALL COMMERCIAL RIGHTS RESERVED



PLAN NO. 1341

Electric B-29
Designed By: Jim Young
CAD Draw Plans By: Jim Young
RCM Plan Number: