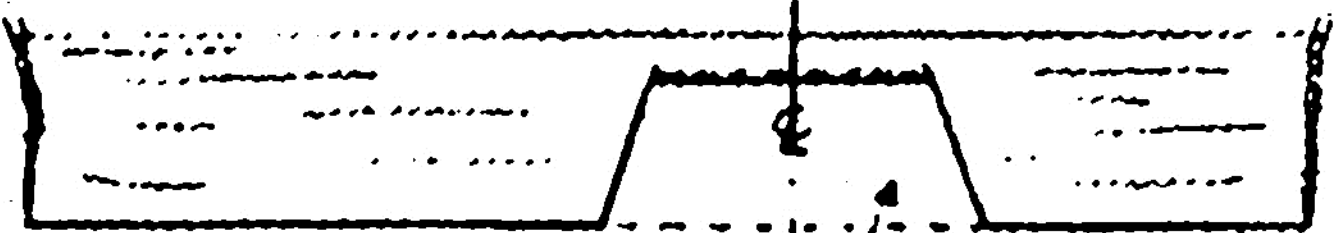


A PROFILE BIPLANE FOR 2 CHANNEL RADIOS

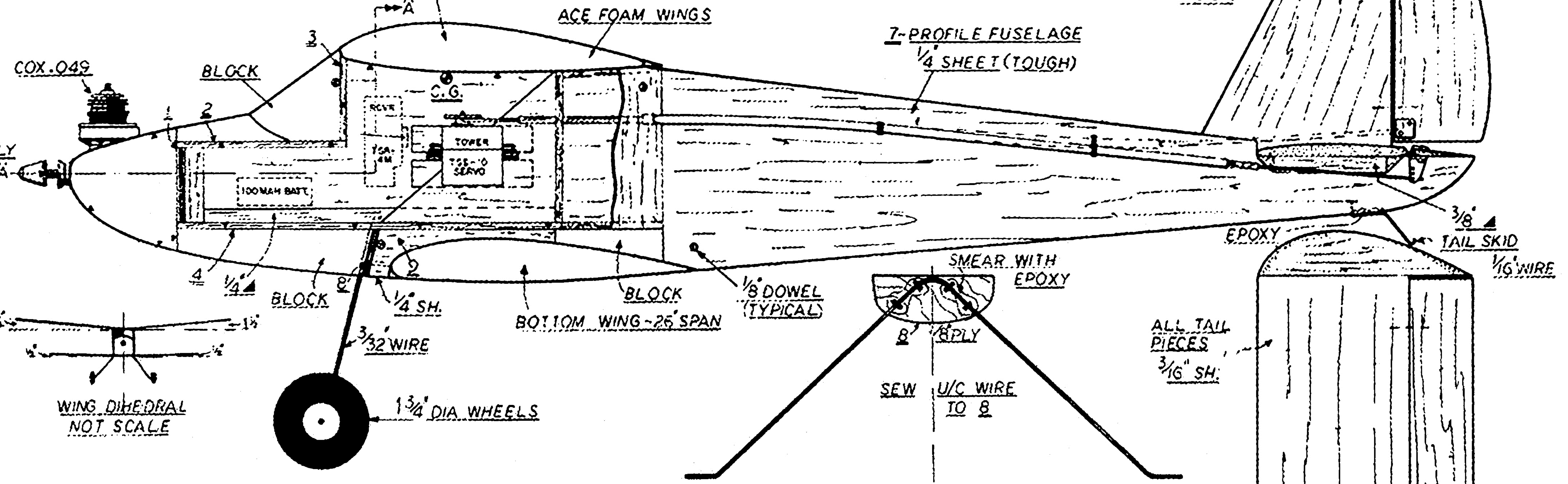
WEIGHT (LESS RADIOS) ~ 16 OZ
 USE SMALL SERVOS AND
 BATTERY PACK

▲ = TRIANGULAR STOCK

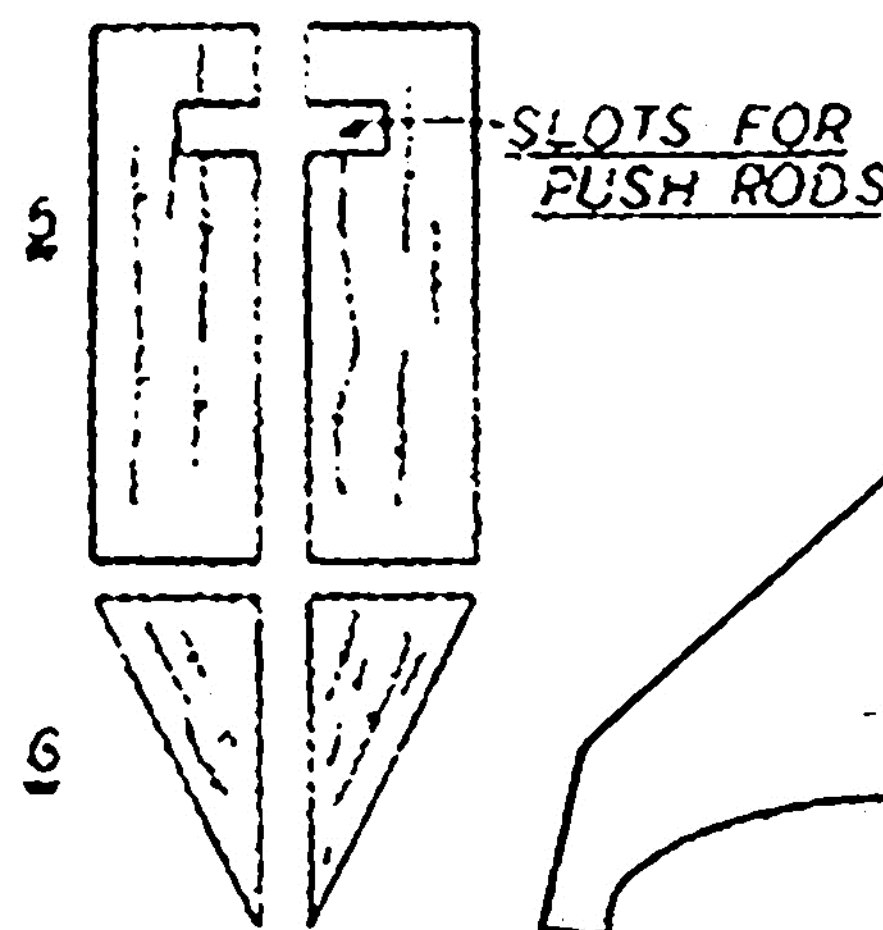
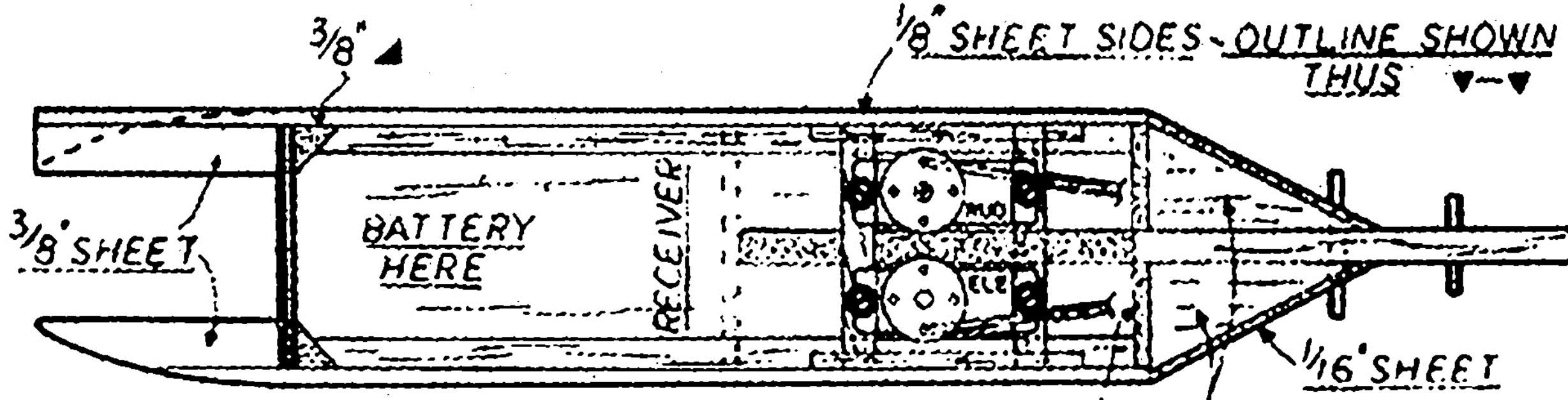


TOP WING - 36" SPAN x 6" CHORD (ADD. I.T.E.)

FIN AND RUDDER
 3/16" SH.
 HINGE POSITION

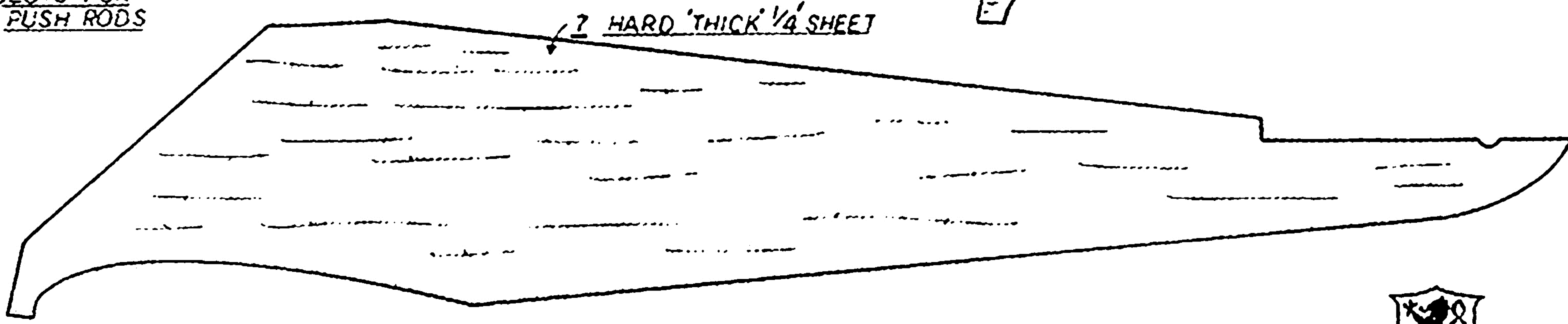


WING DIHEDRAL
 NOT SCALE



9 1/4" SHEET - MAKE TWO

FIN NOT SHOWN IN THIS VIEW



2-6 1/8" SHEET



ALL Balsa UNLESS NOTED



bluebottle

DESIGNED AND DRAWN BY W

PLAN NO. 892