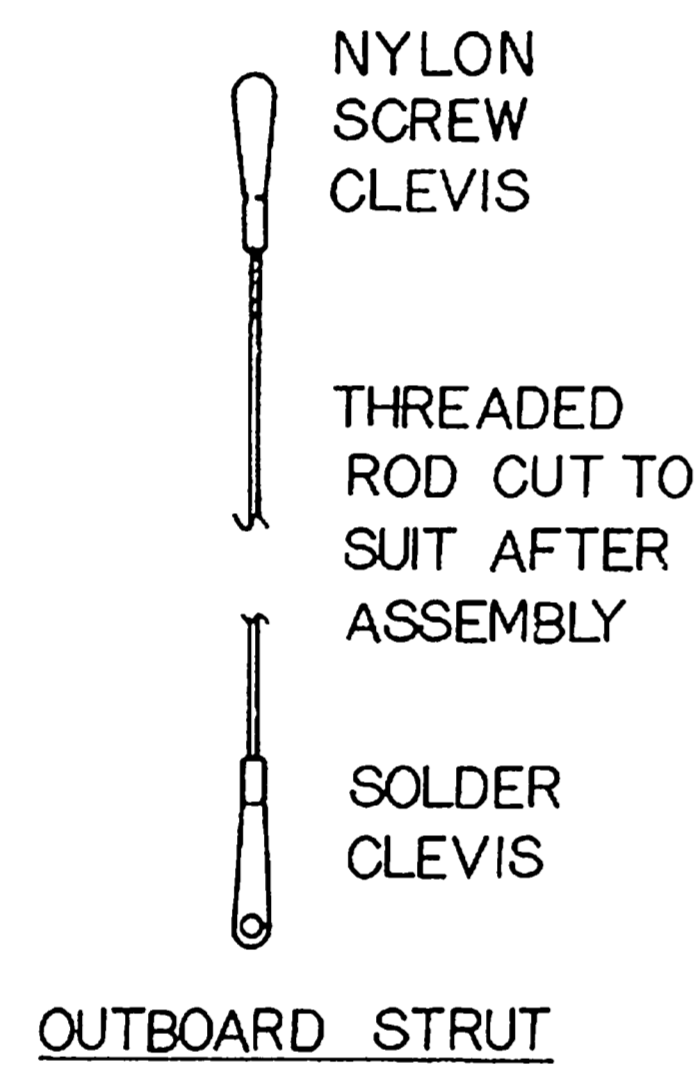
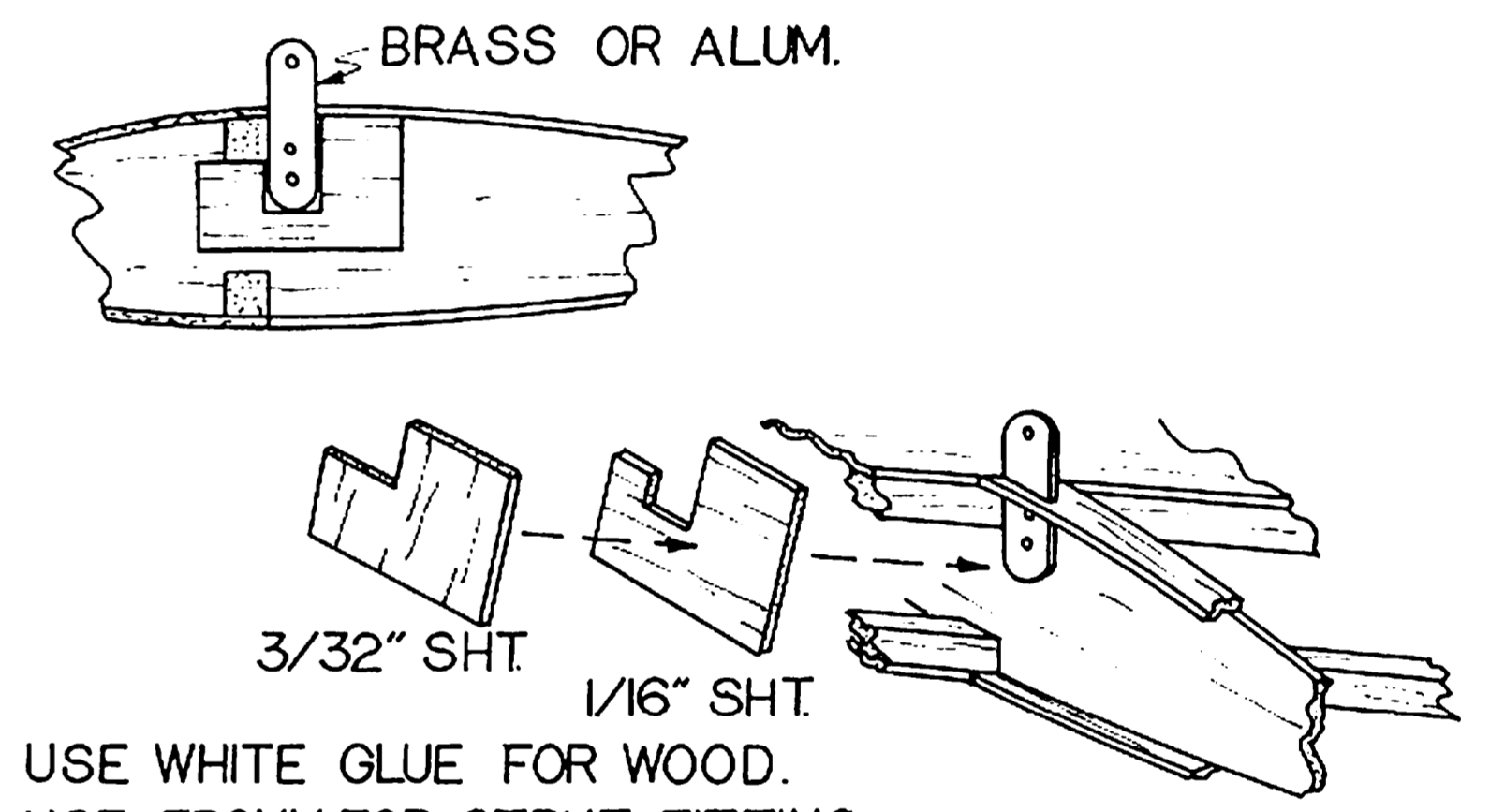


WING TIP DETAIL  
NOT TO SCALE

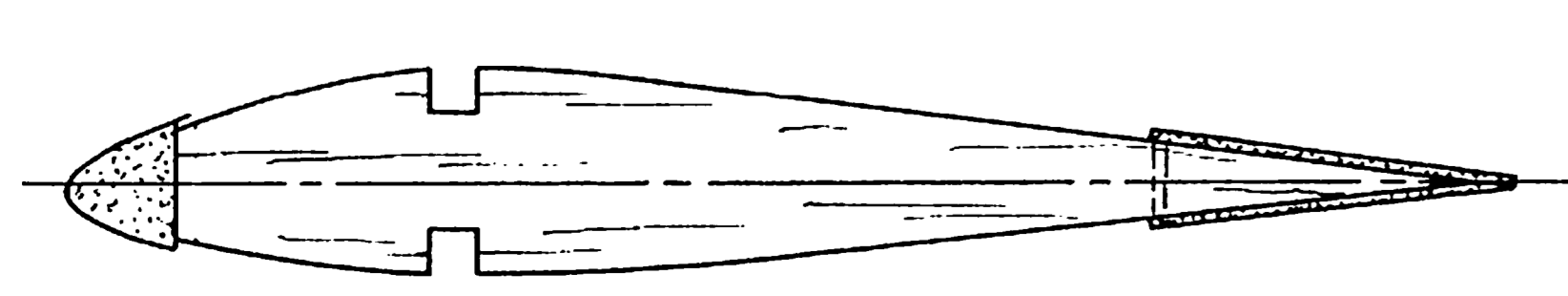
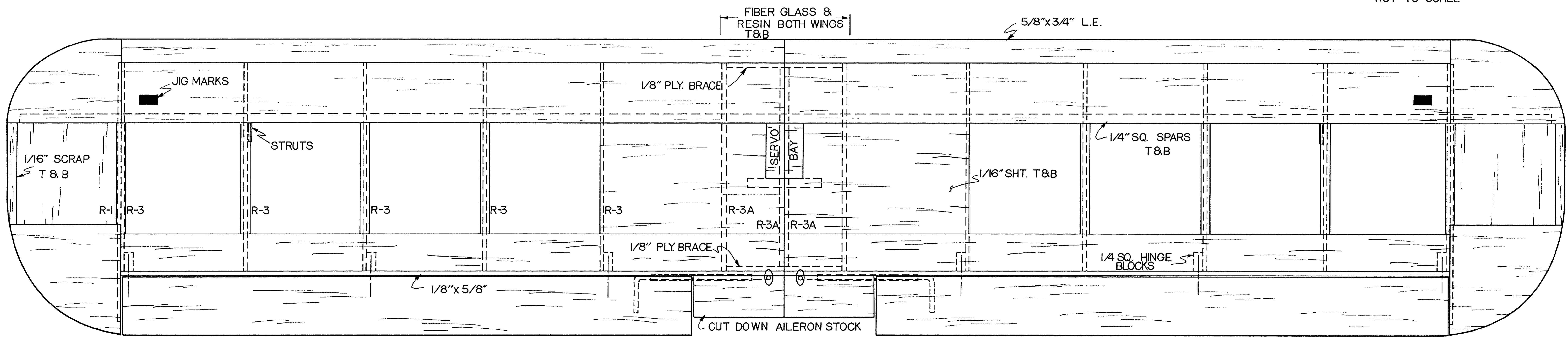


OUTBOARD STRUT

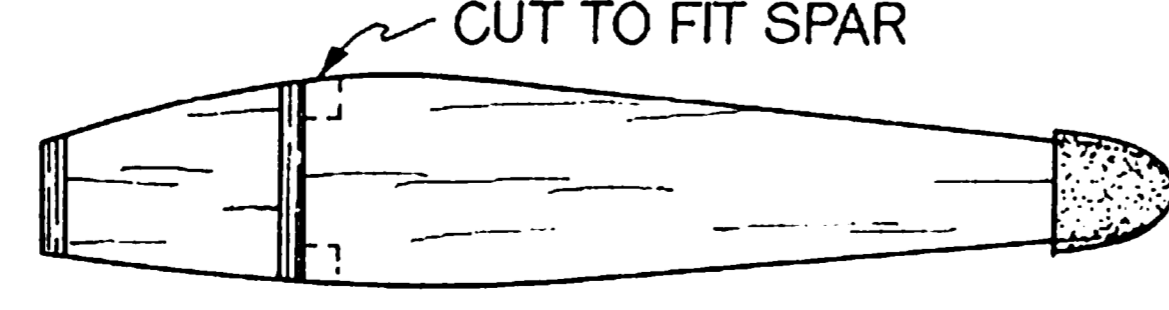


USE WHITE GLUE FOR WOOD.  
USE EPOXY FOR STRUT FITTING  
AFTER COVERING.

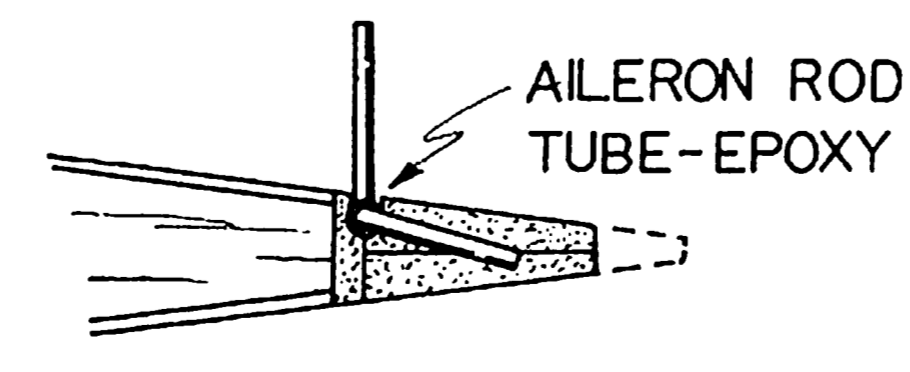
OUTBOARD STRUT FITTING  
NOT TO SCALE



R-1 3/32" SHT.  
16 REQ.



R-2 1/8" SHT.  
3 REQ.



AILERON ROD  
TUBE-EPOXY



R-3 3/32" SHT. 10 REQ.  
R-3A 1/8" SHT. 4 REQ.

TWO 1/4"x1-5/8" AILERON  
STOCK LAM. TOGETHER

© RCM ALL COMMERCIAL RIGHTS RESERVED

DESIGNED BY:  
FLOYD MANLY

TRACED IN INK BY:  
dl Patterson

By H.E. 2 of 2