

CESSNA 02A/B SKYMASTER

SUPER SCALE 1/5,5 SEMISCALE RADIO CONTROL MODEL

Art. 70094

Made in Italy - Prodotto in Italia
Printed in Italy

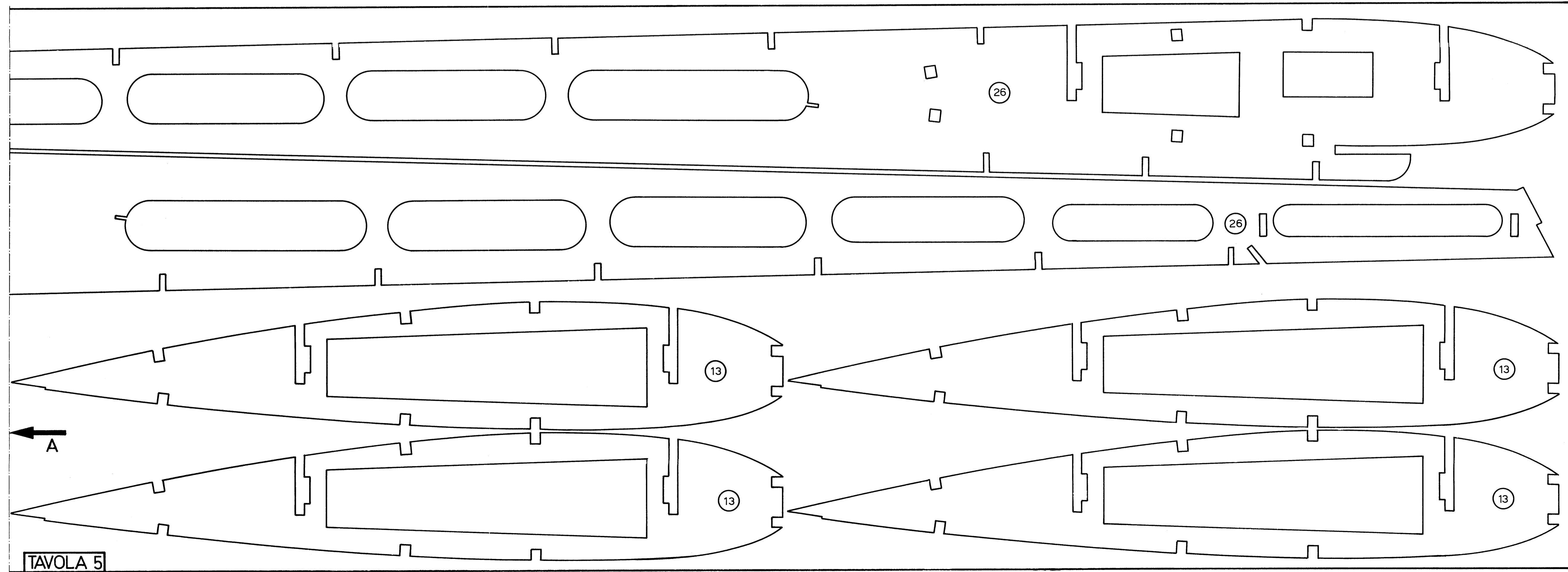
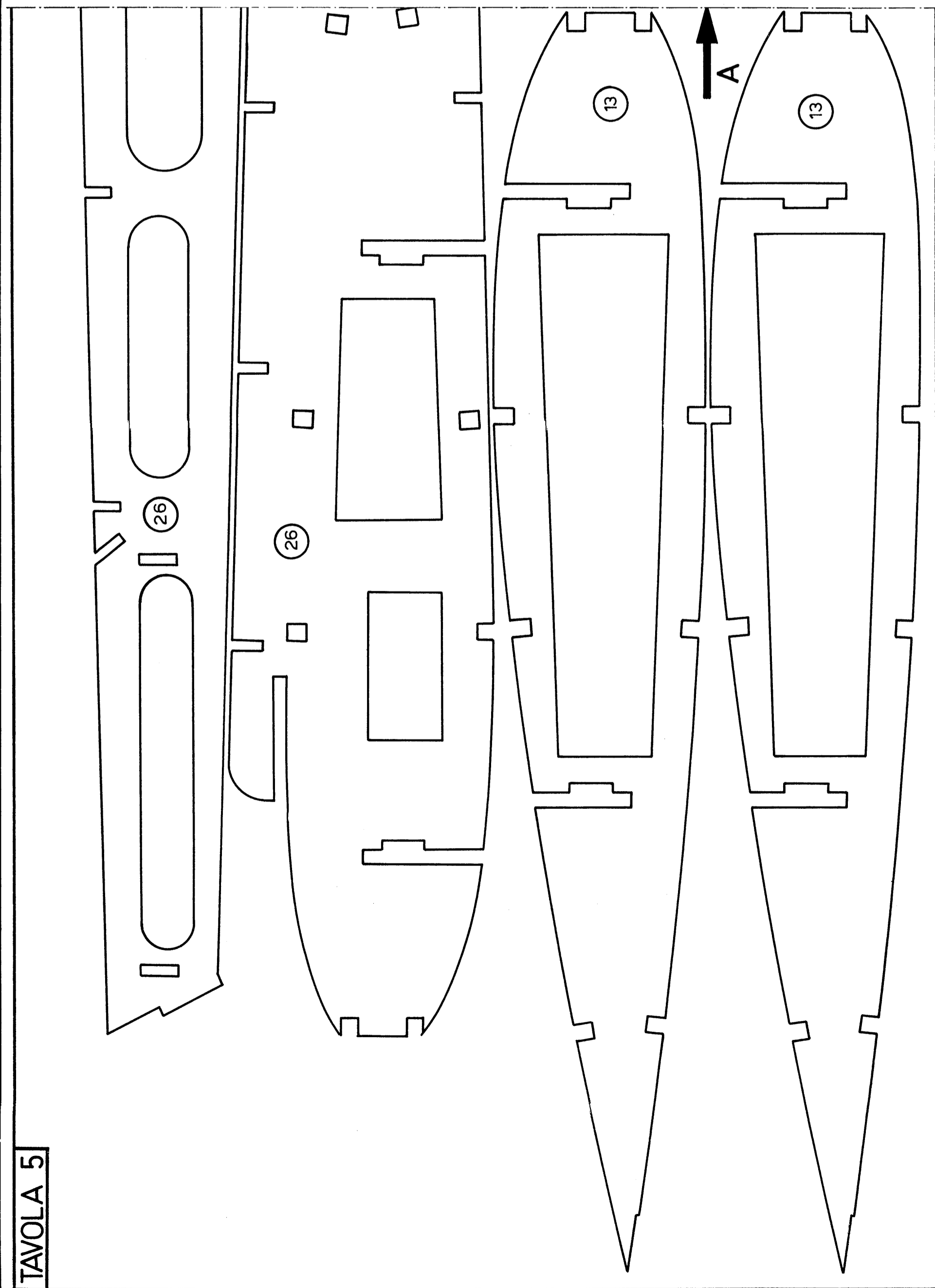
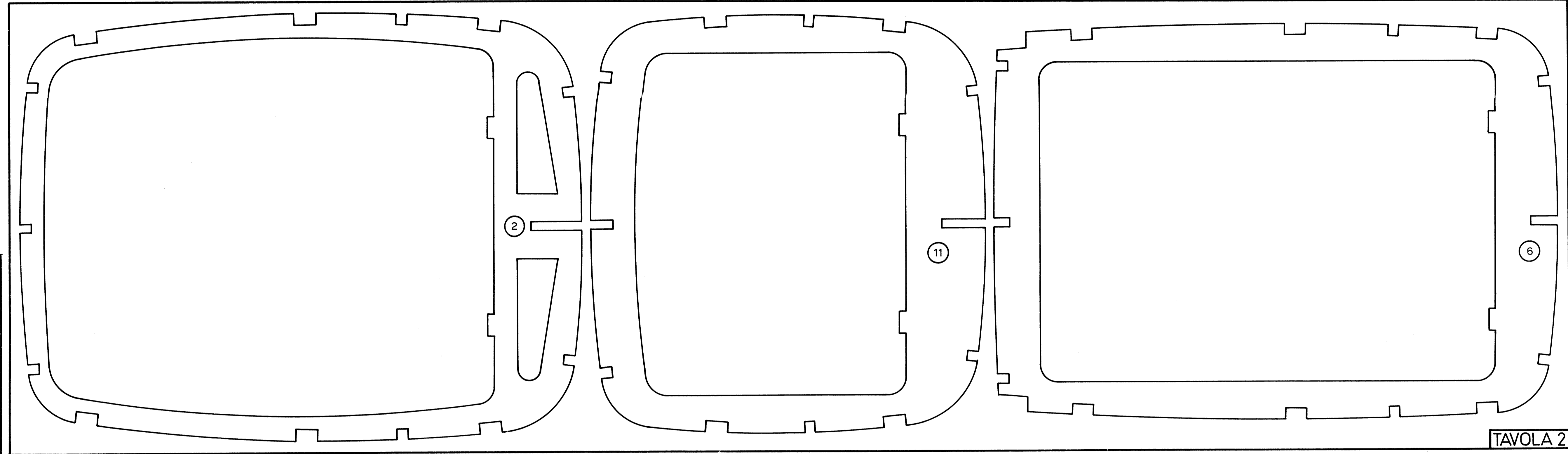
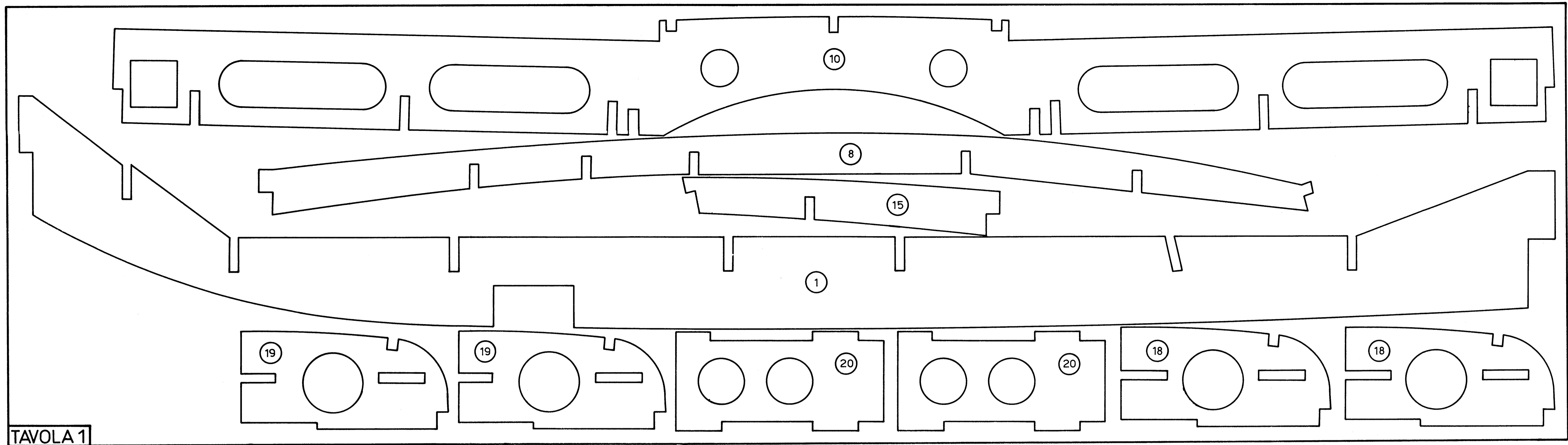
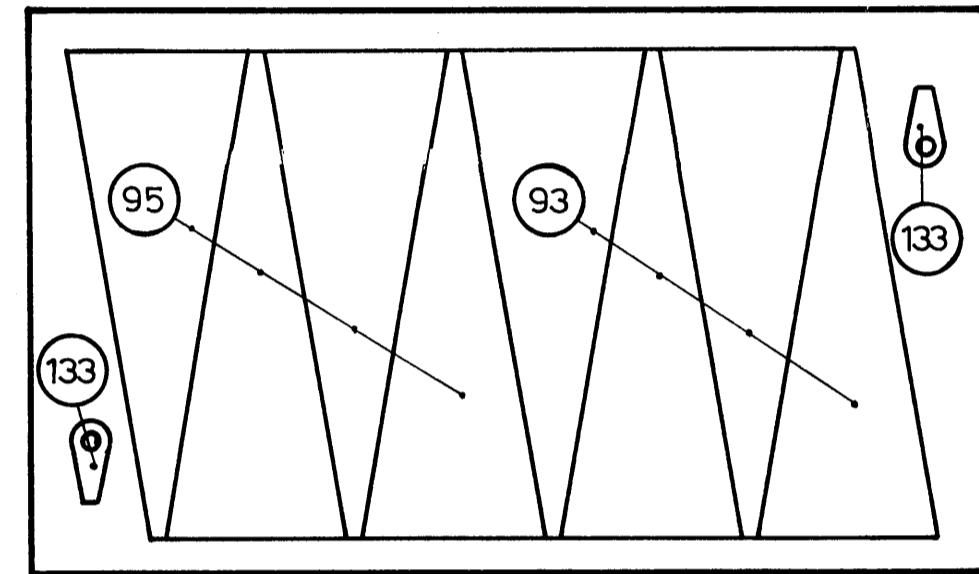
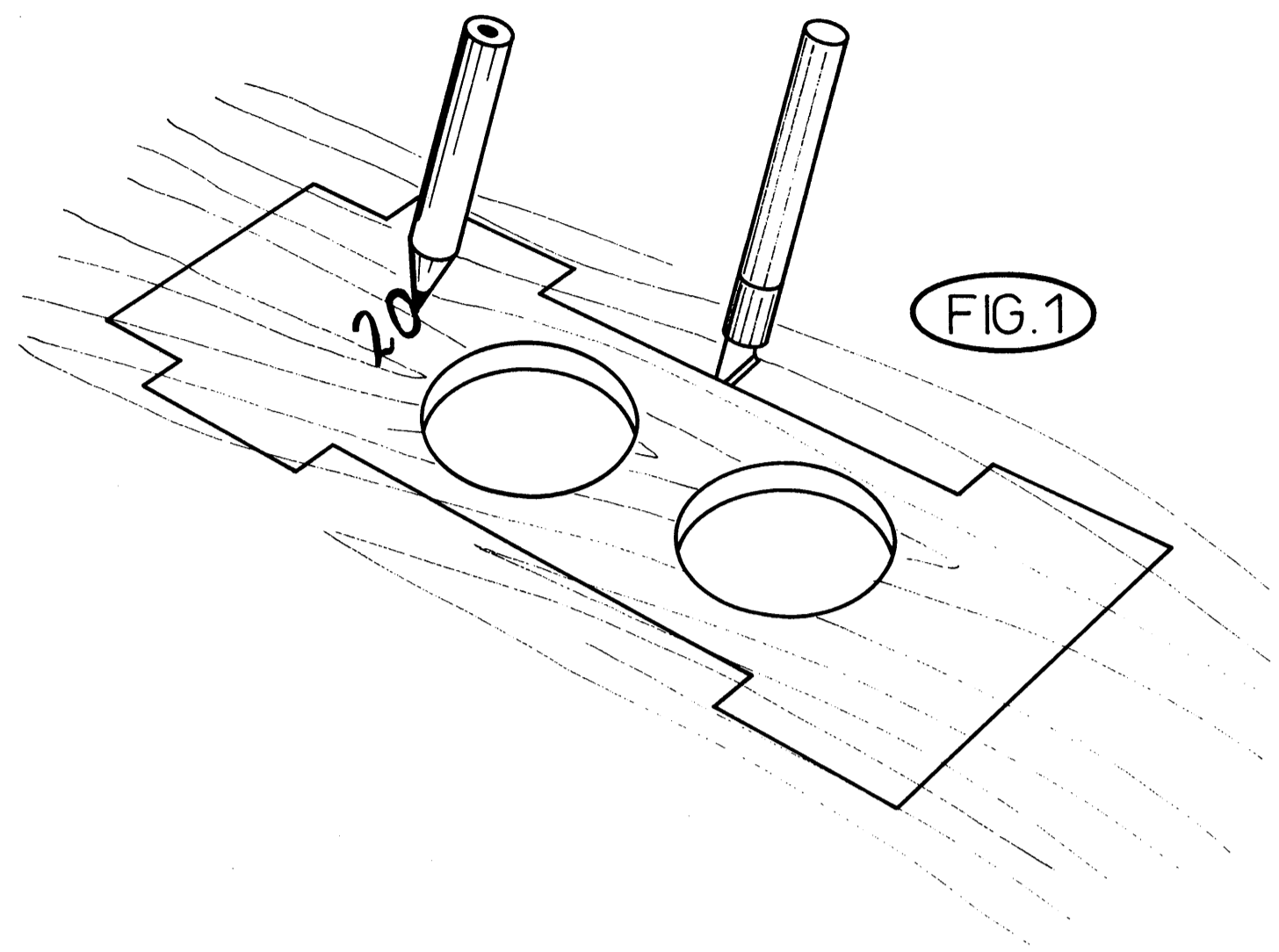
APERTURA ALARE
WING SPAN 220 cm.
SPANNWEITE
ENVERGURE

Tutti i diritti riservati - Vietato l'uso commerciale dei
disegni piani e particolari.
All right reserved - Commercial
use of plan design interdicted.

1997

TAVOLA - SHEET
BOGEN - PLAN

1



AVIOMODELLI
MANTUA MODEL GROUP
Art. 70094
Made in Italy - Produit en Italie
Printed in Italy

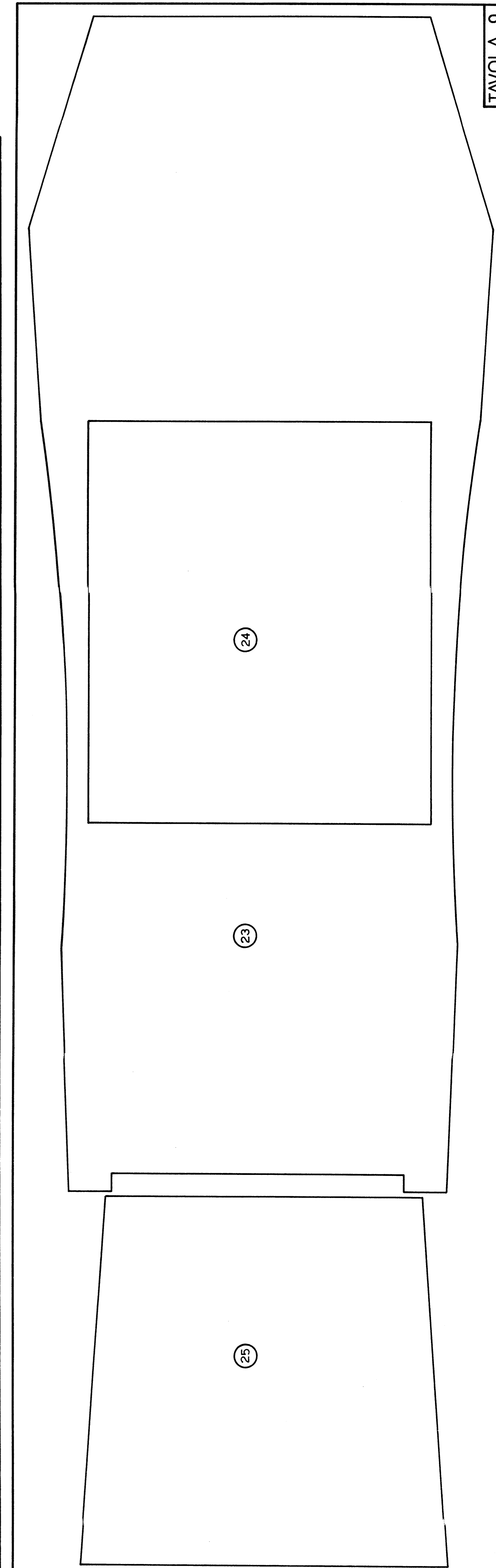
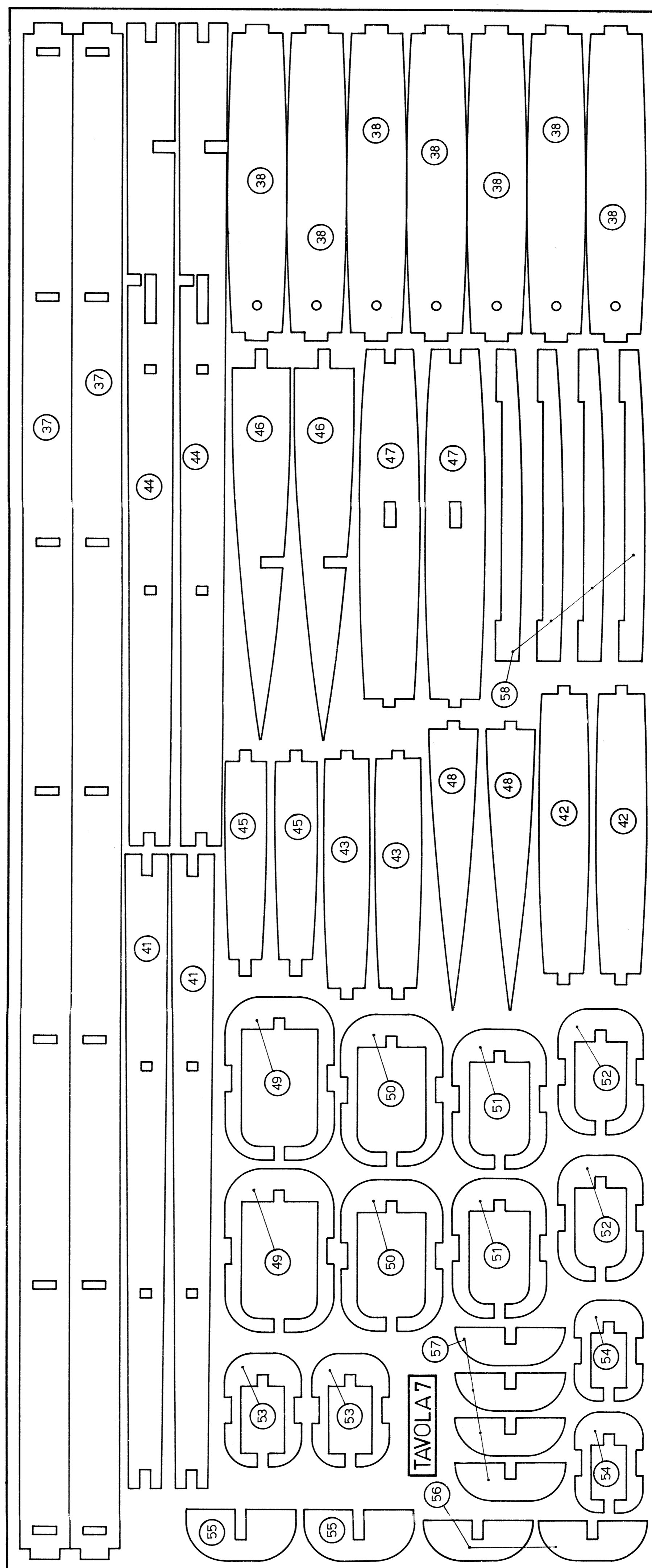
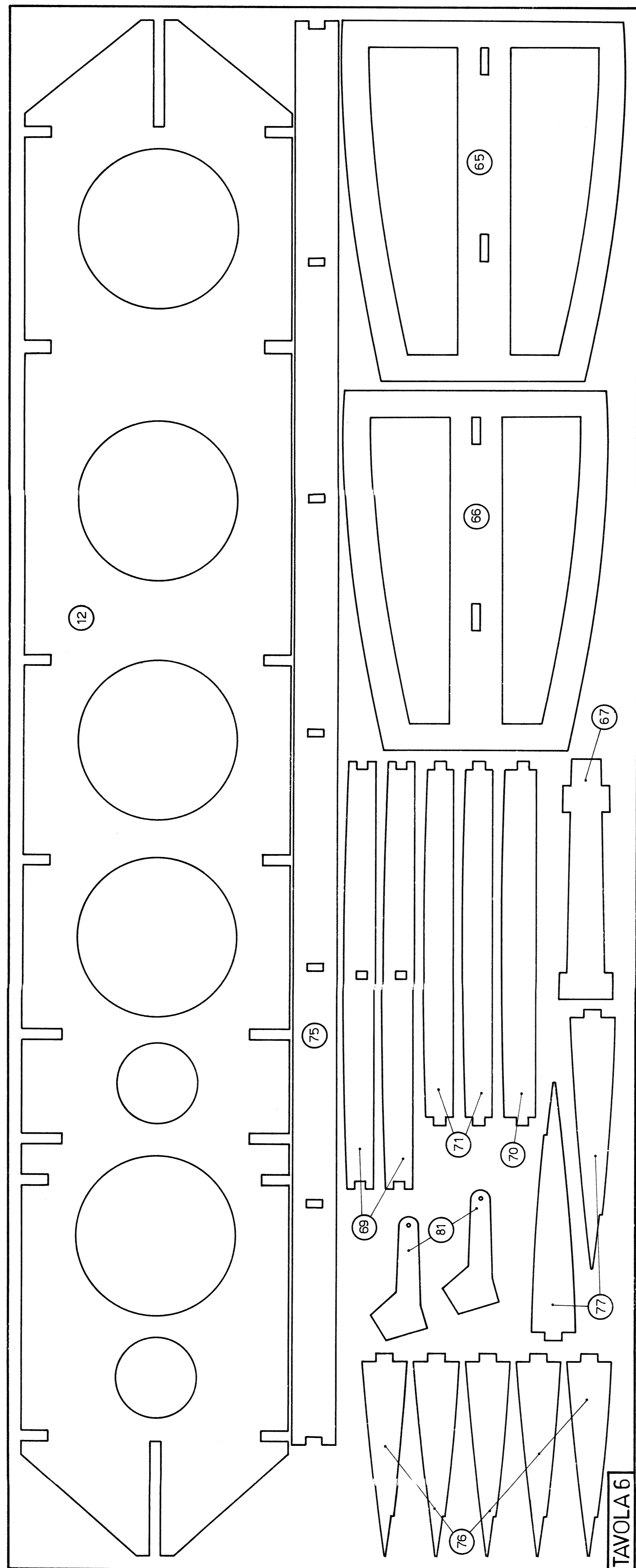
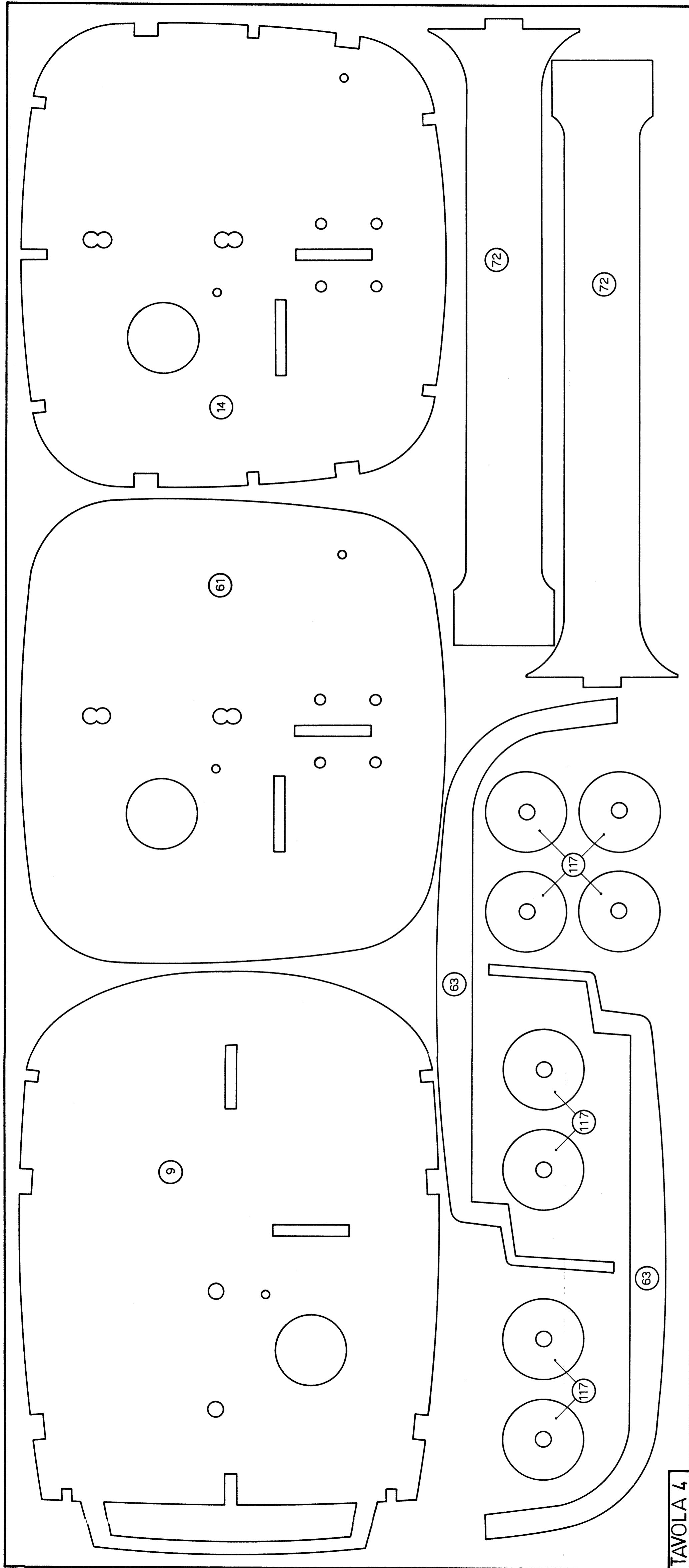
CESSNA 02A/B SKYMASTER

SUPER SCALE 1/5,5 SEMISCALE RADIO CONTROL MODEL

APERTURA ALARE
WING SPAN 220 cm.
SPANNWEITE
ENVERGURE

Tutti i diritti riservati - Vietato l'uso commerciale dei
disegni piani e particolari.
All right reserved - Commercial
use of plan design interdicted. 1997

TAVOLA - SHEET
BOGEN - PLAN 2



AVIOMODELLI
MANTUA MODEL GROUP
Art. 70094
 Made in Italy - Produit en Italie
 Printed in Italy

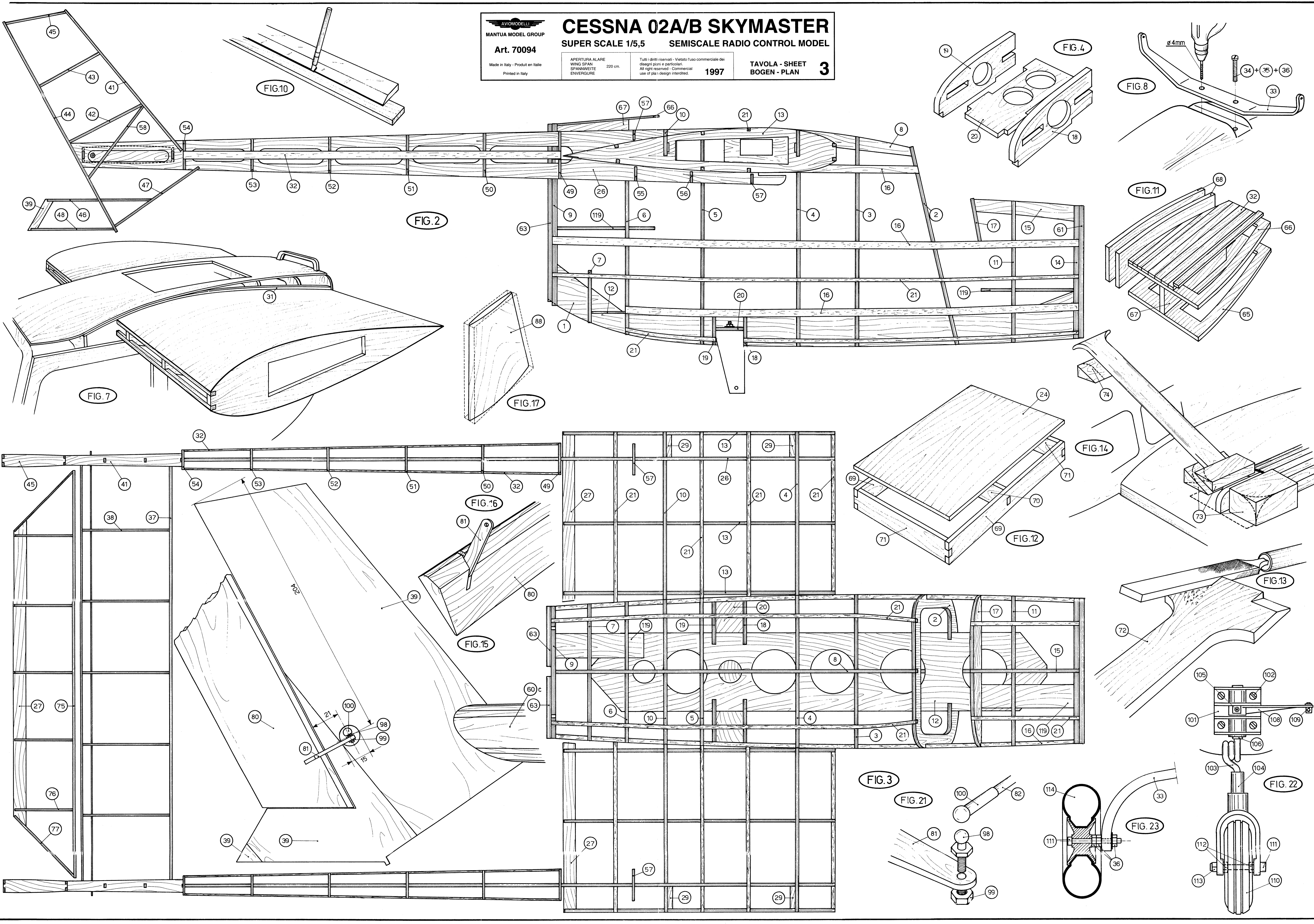
CESSNA 02A/B SKYMASTER
SUPER SCALE 1/5,5 SEMISCALE RADIO CONTROL MODEL

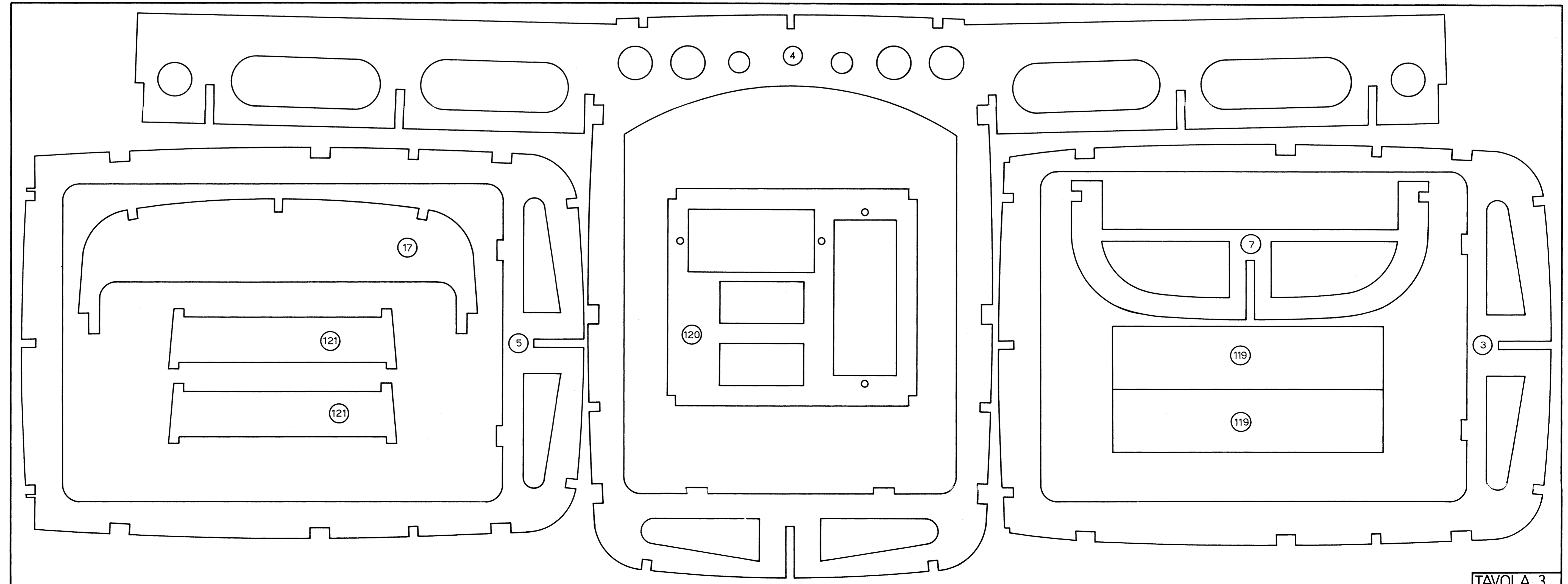
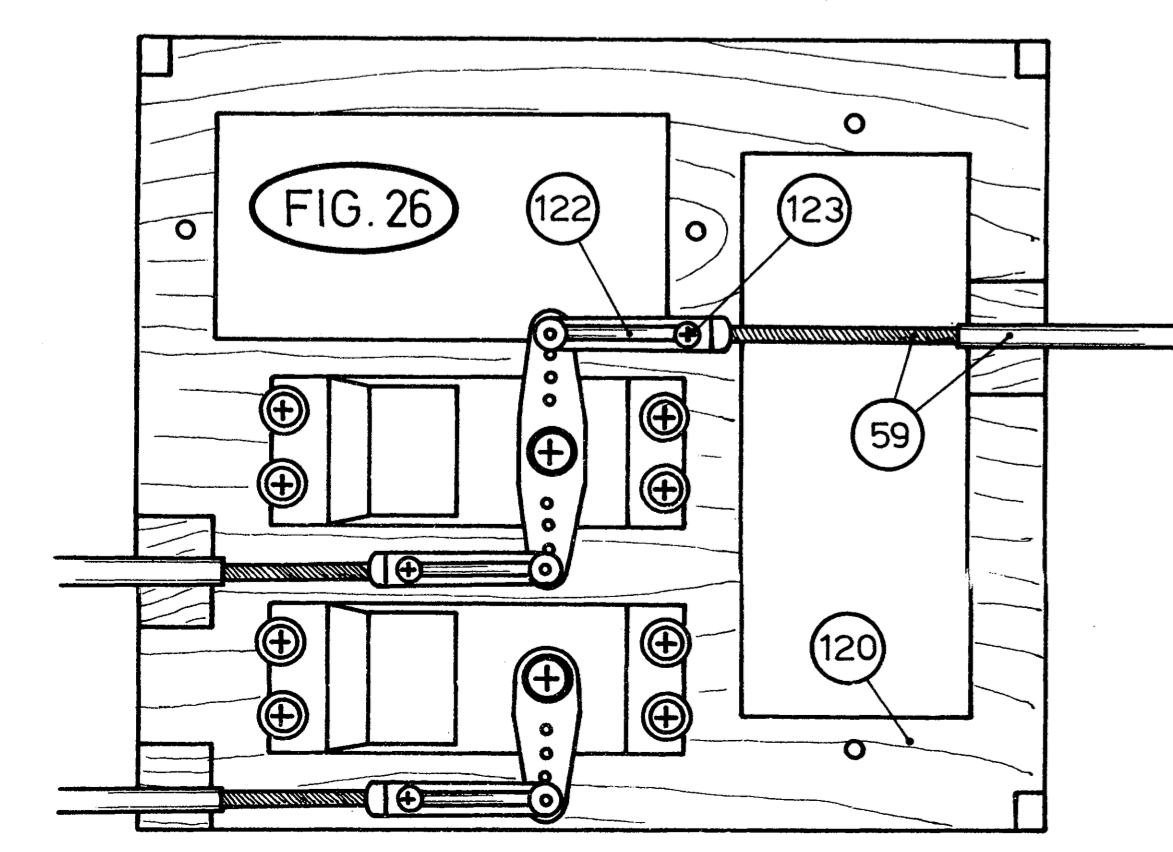
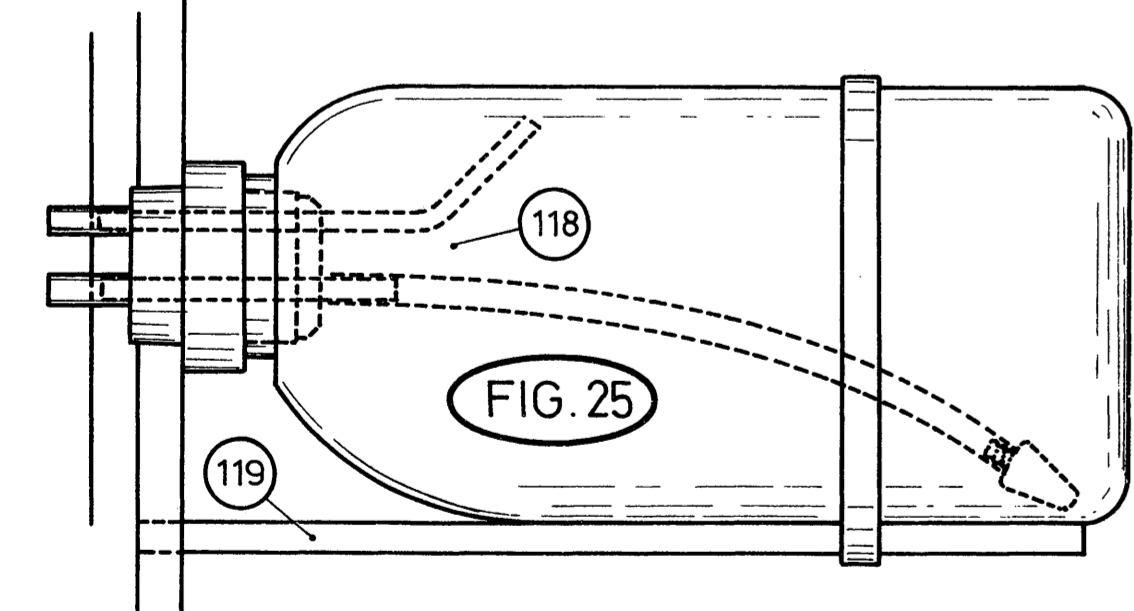
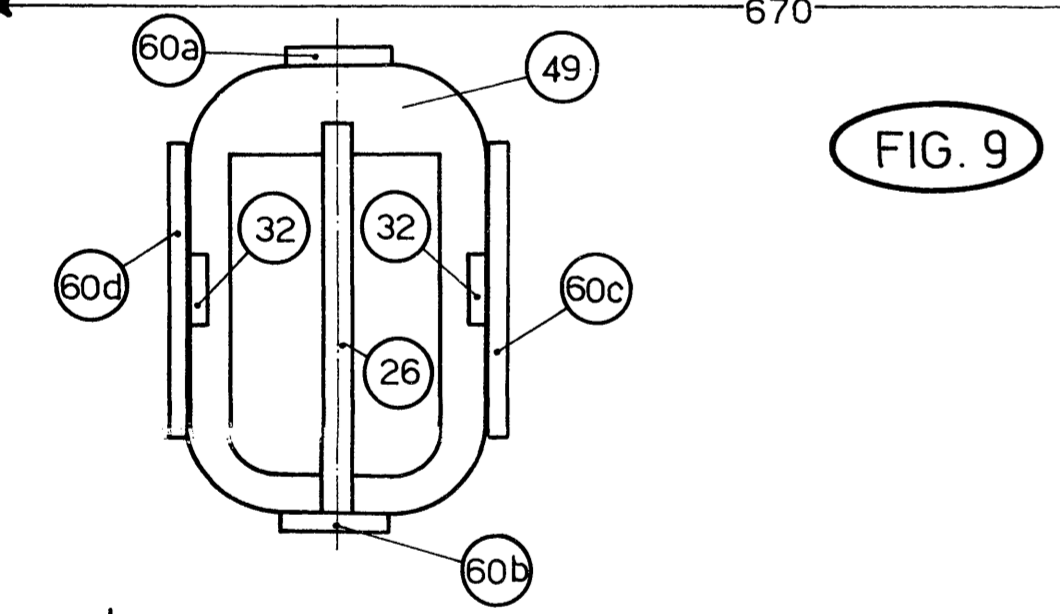
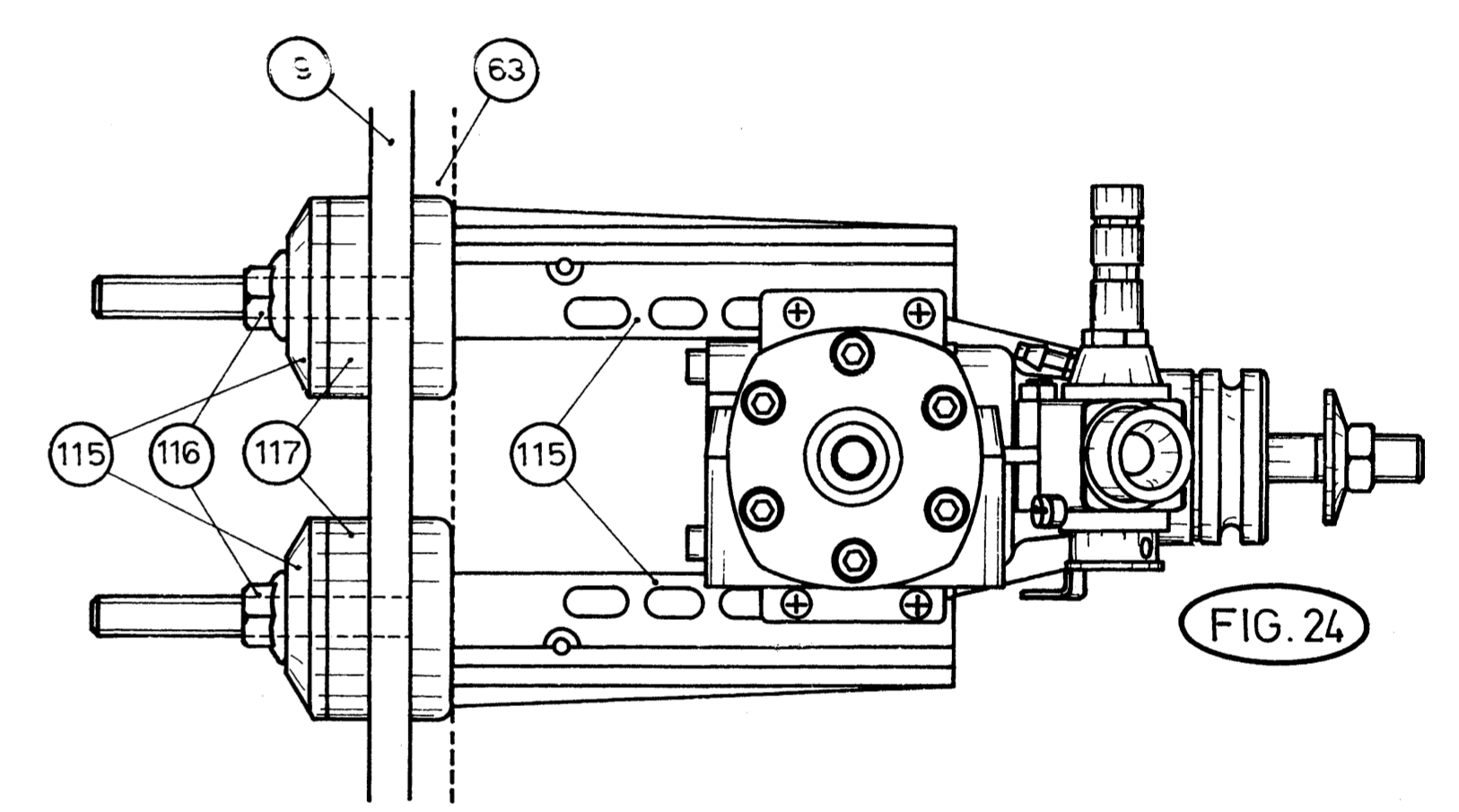
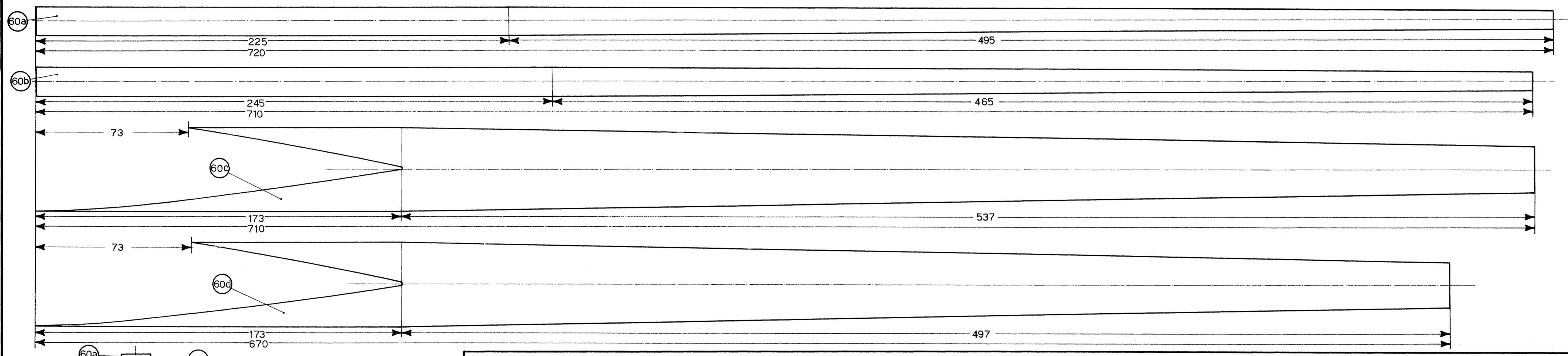
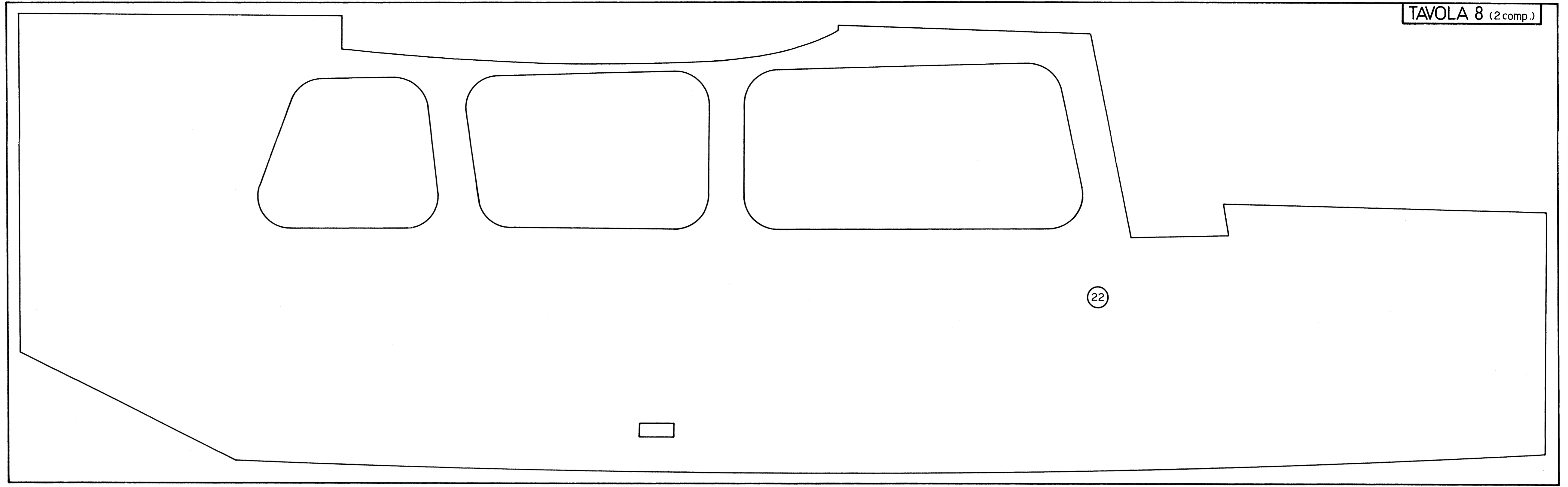
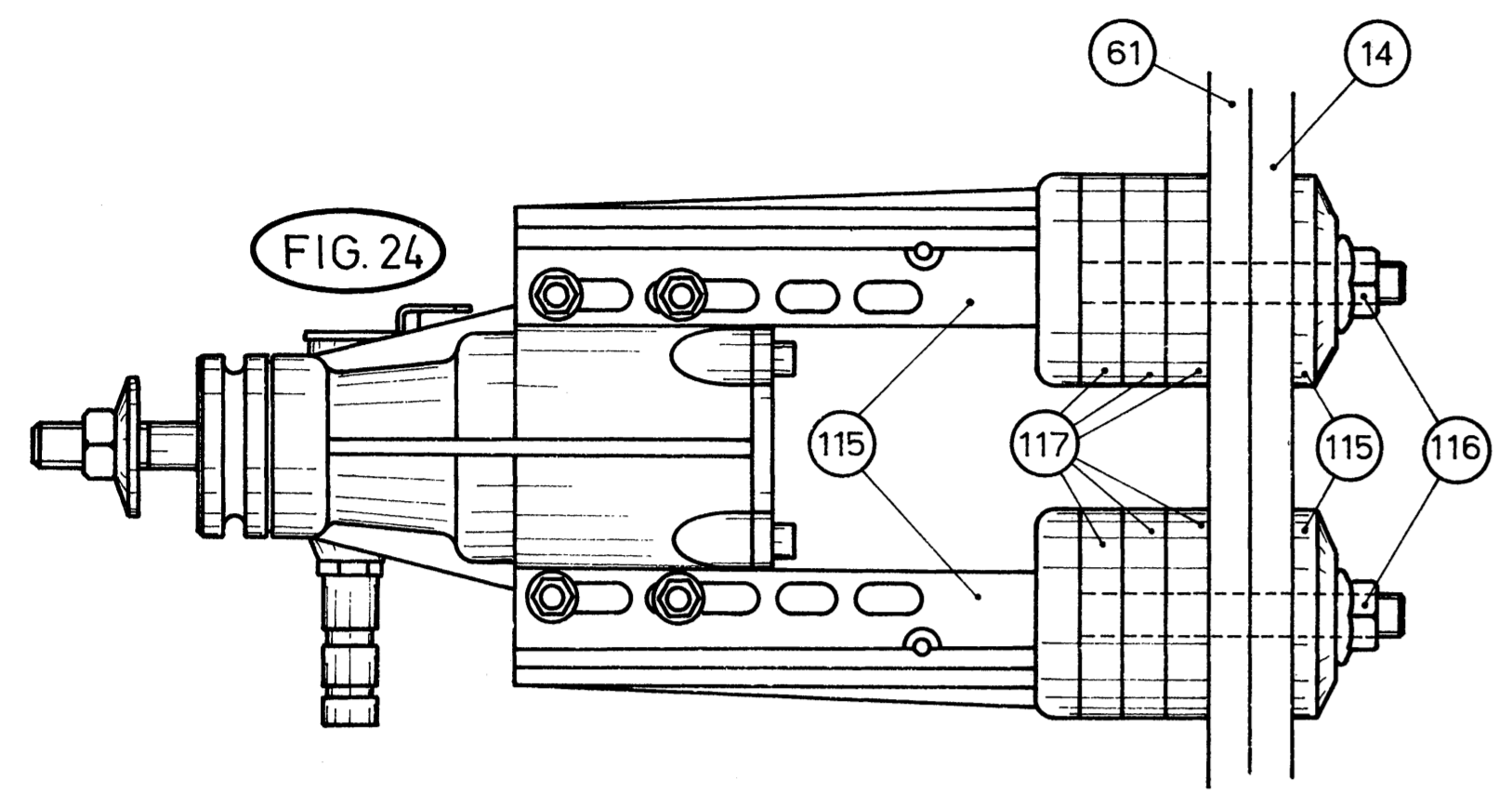
APERTURA ALARE
 WING SPAN 220 cm
 ENVERGURE

Tutti i diritti riservati. Vietato l'uso commerciale dei disegni piani e particolari.
 All right reserved - Commercial use of plan design interdicted.

1997

TAVOLA - SHEET
BOGEN - PLAN **3**





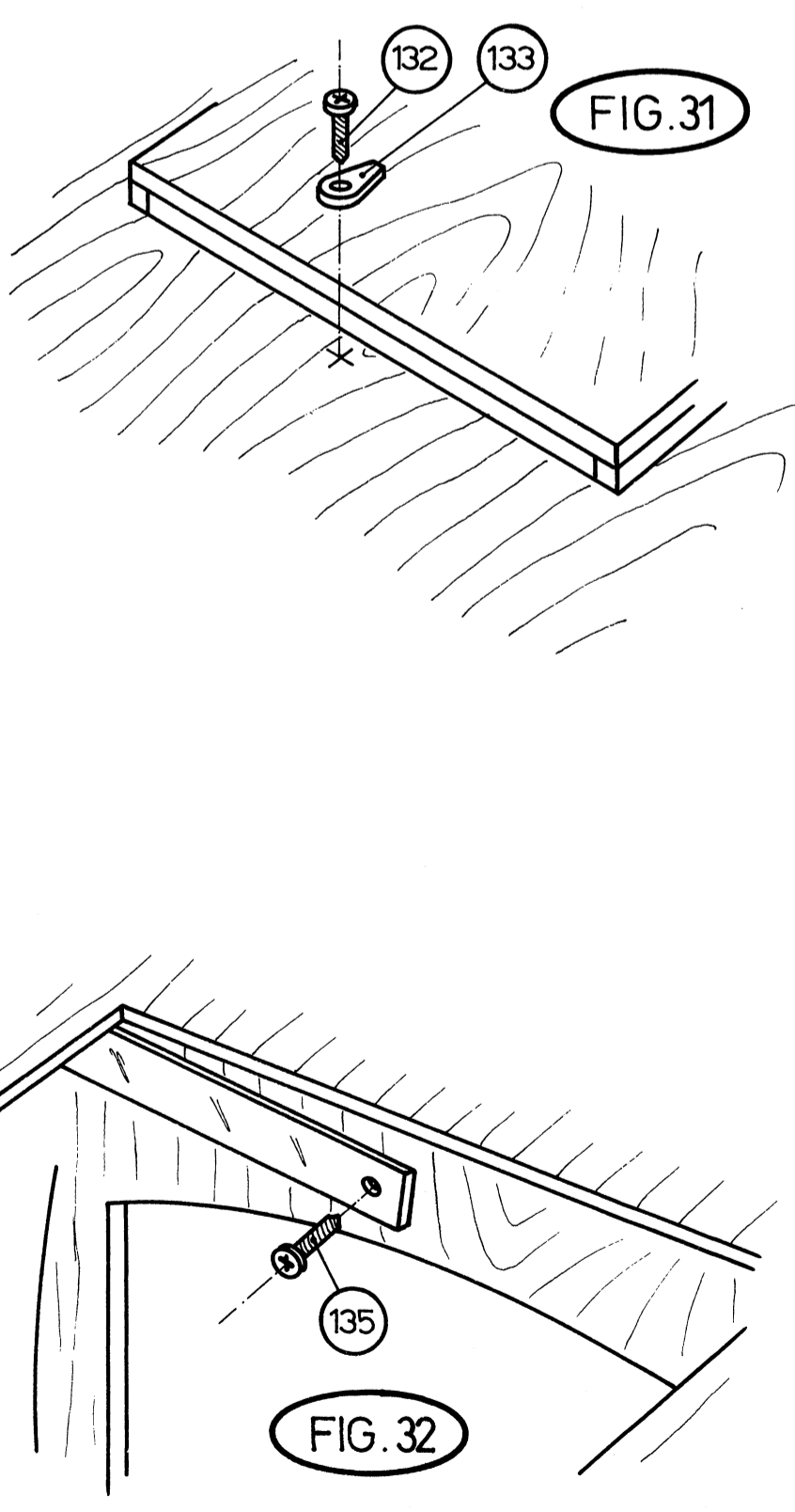
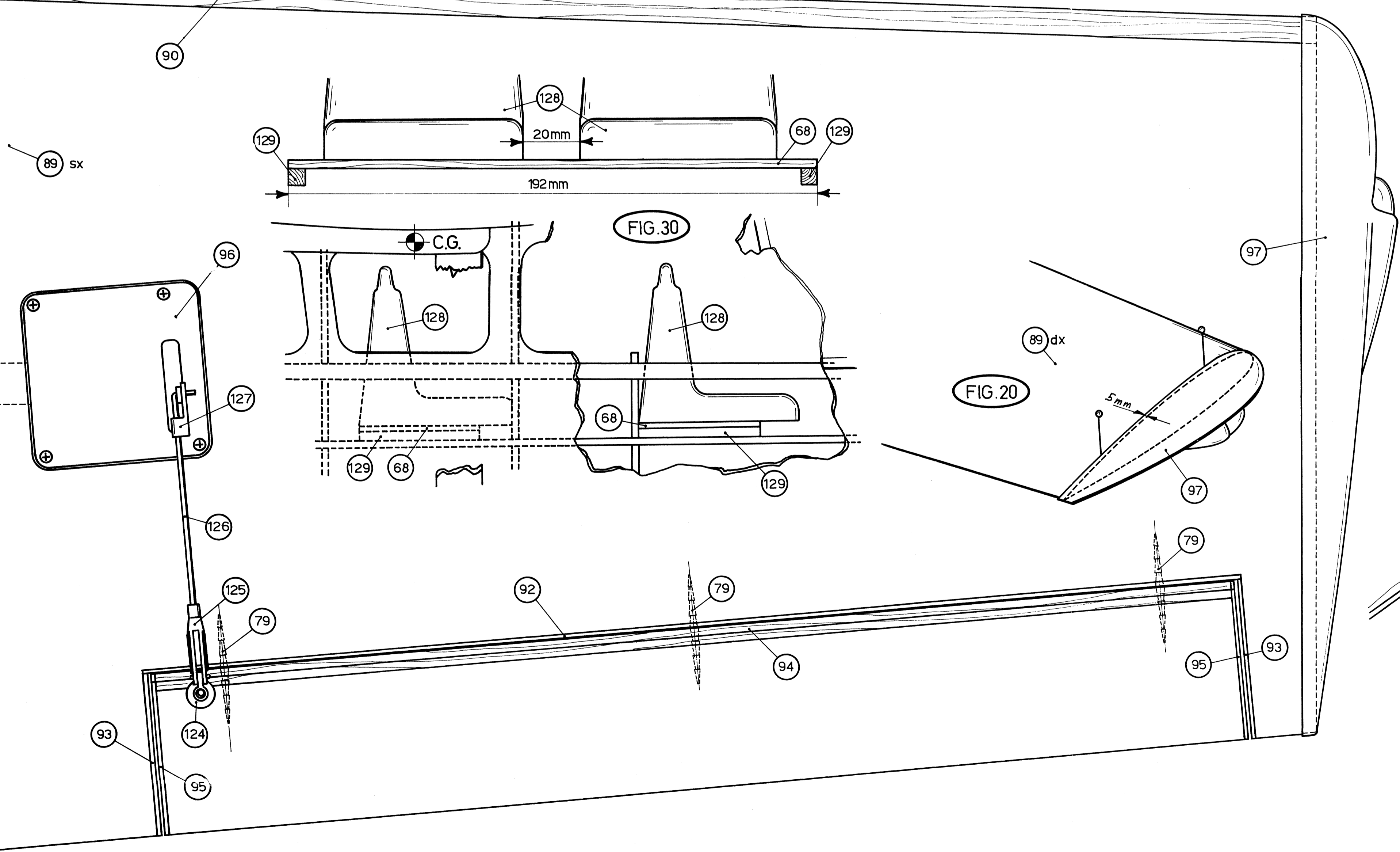
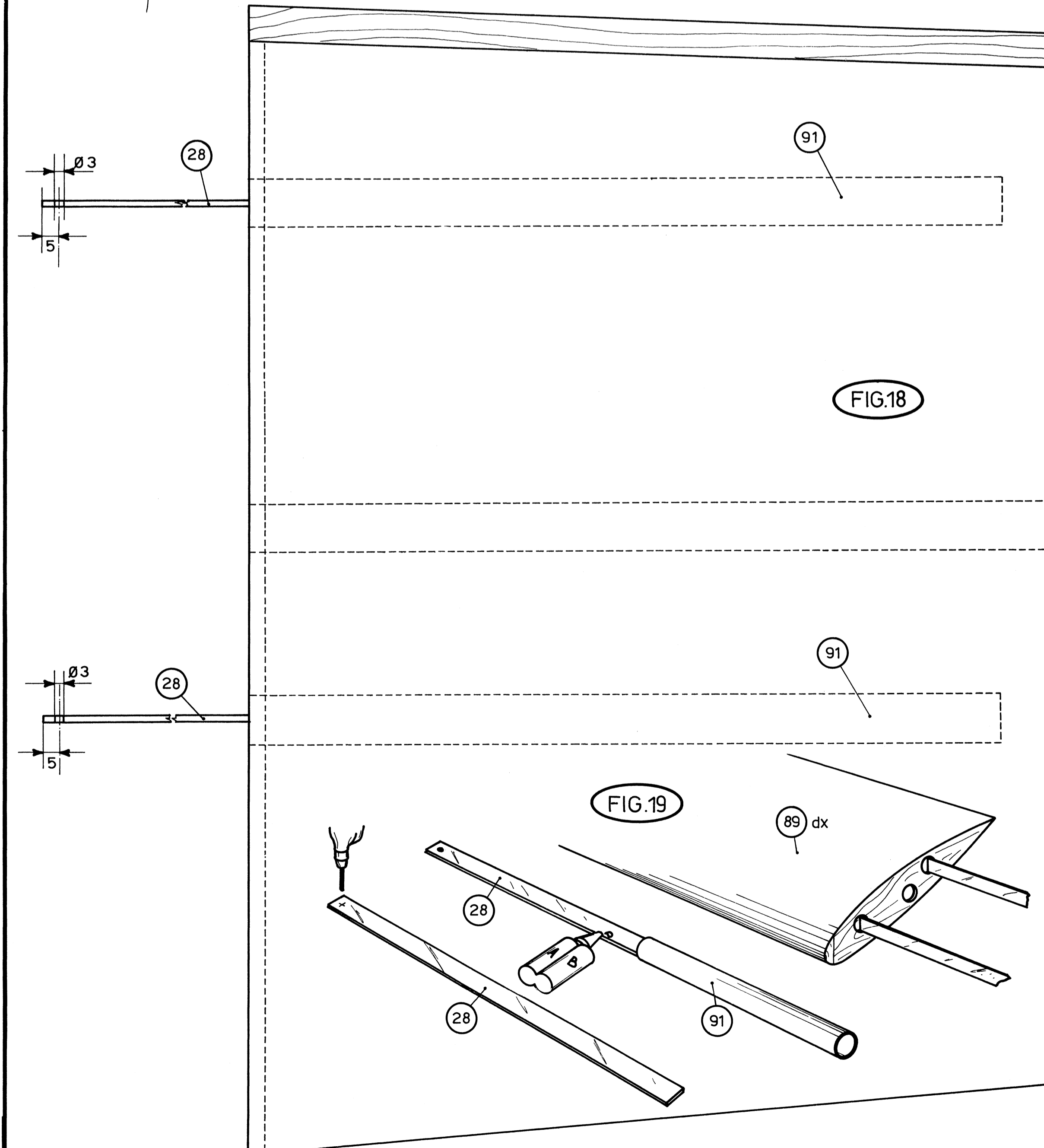
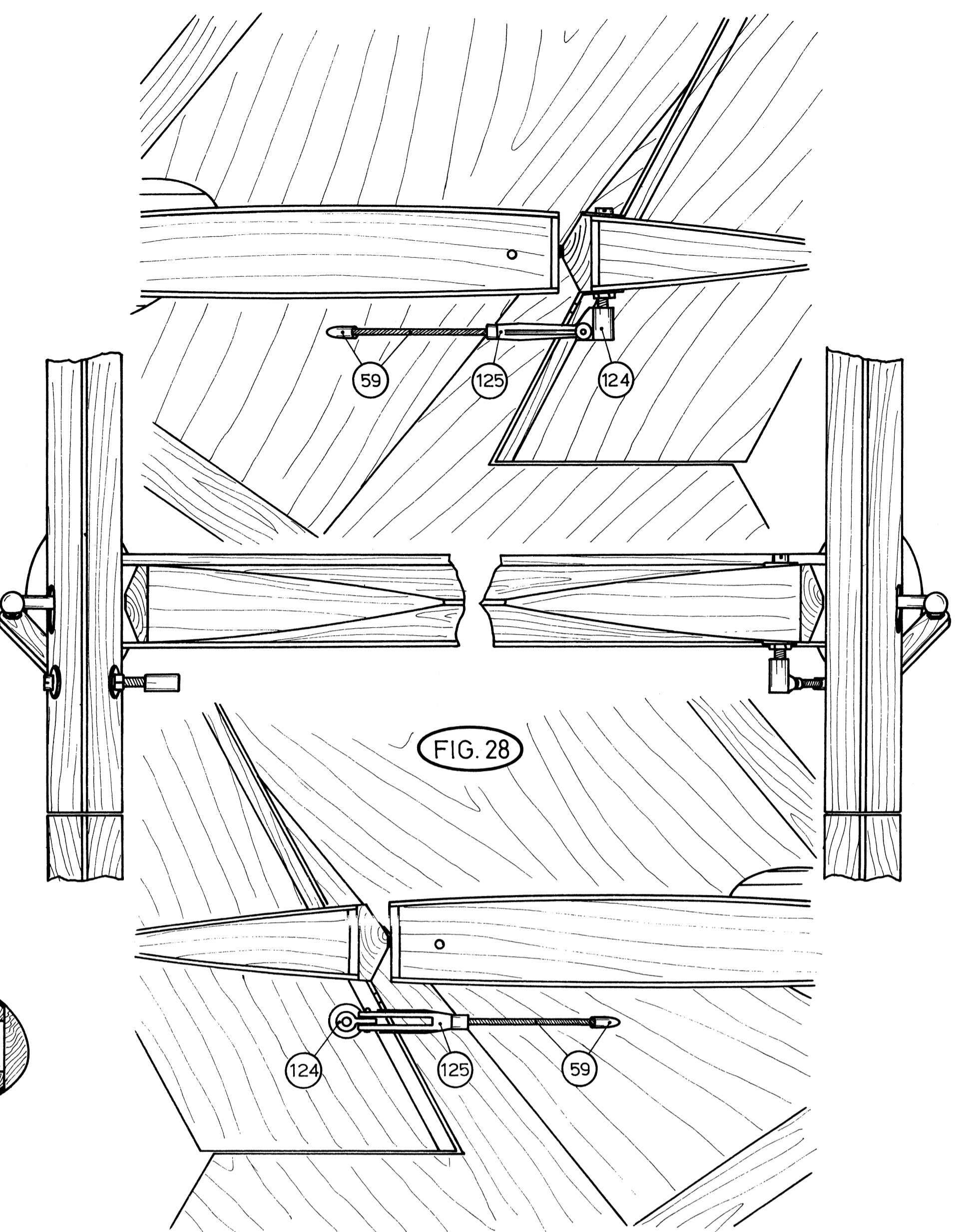
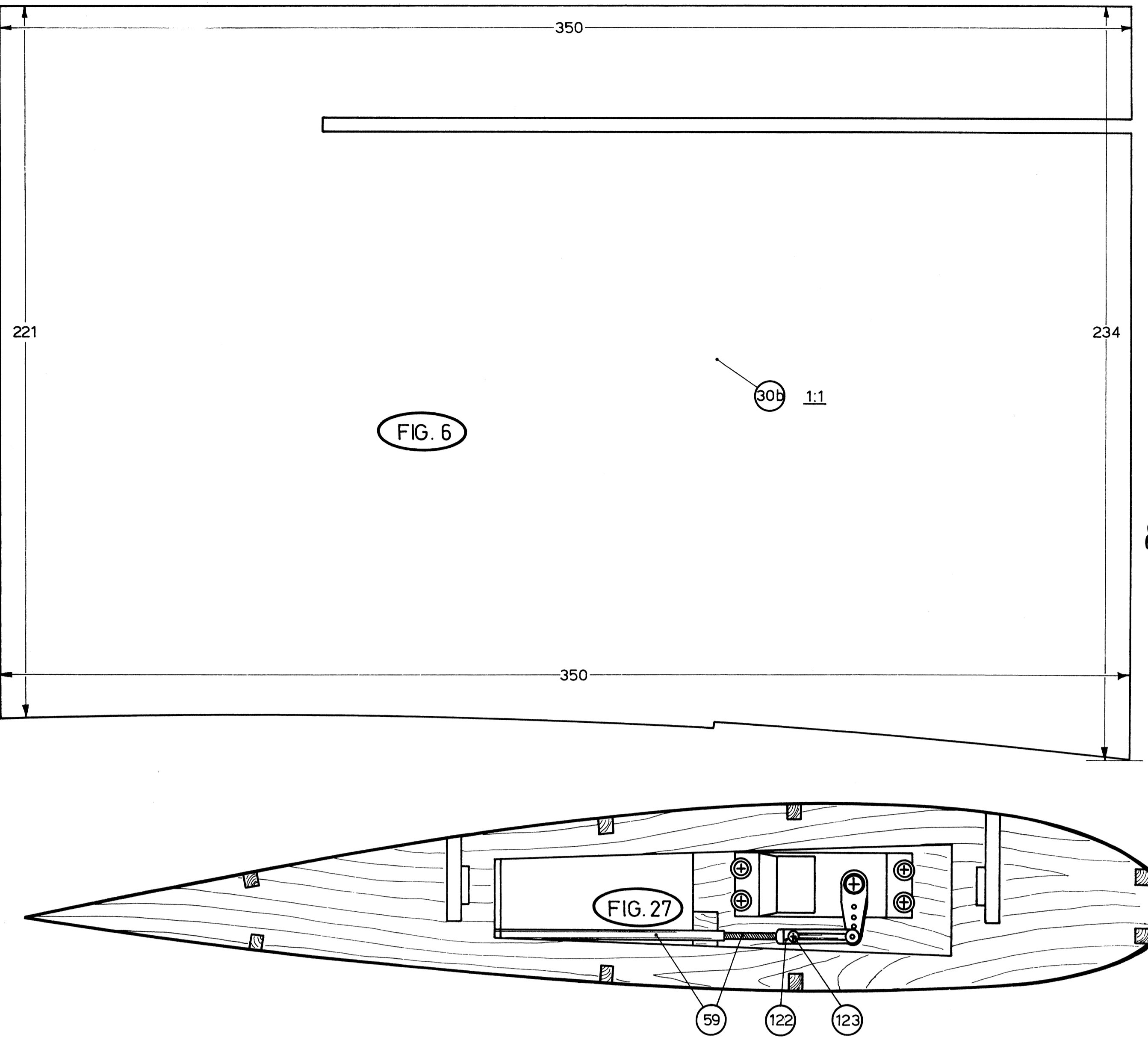
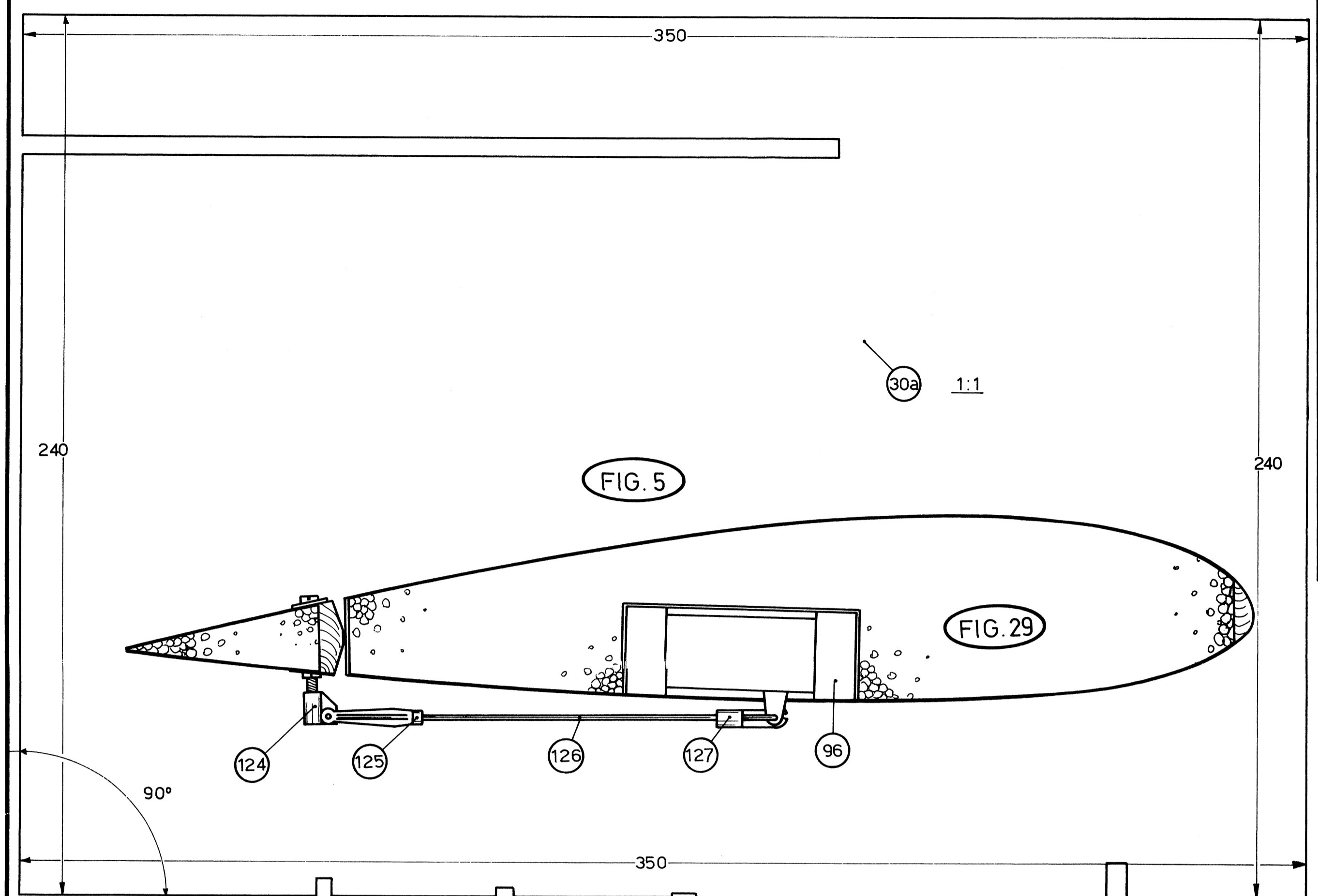
CESSNA 02A/B SKYMASTER

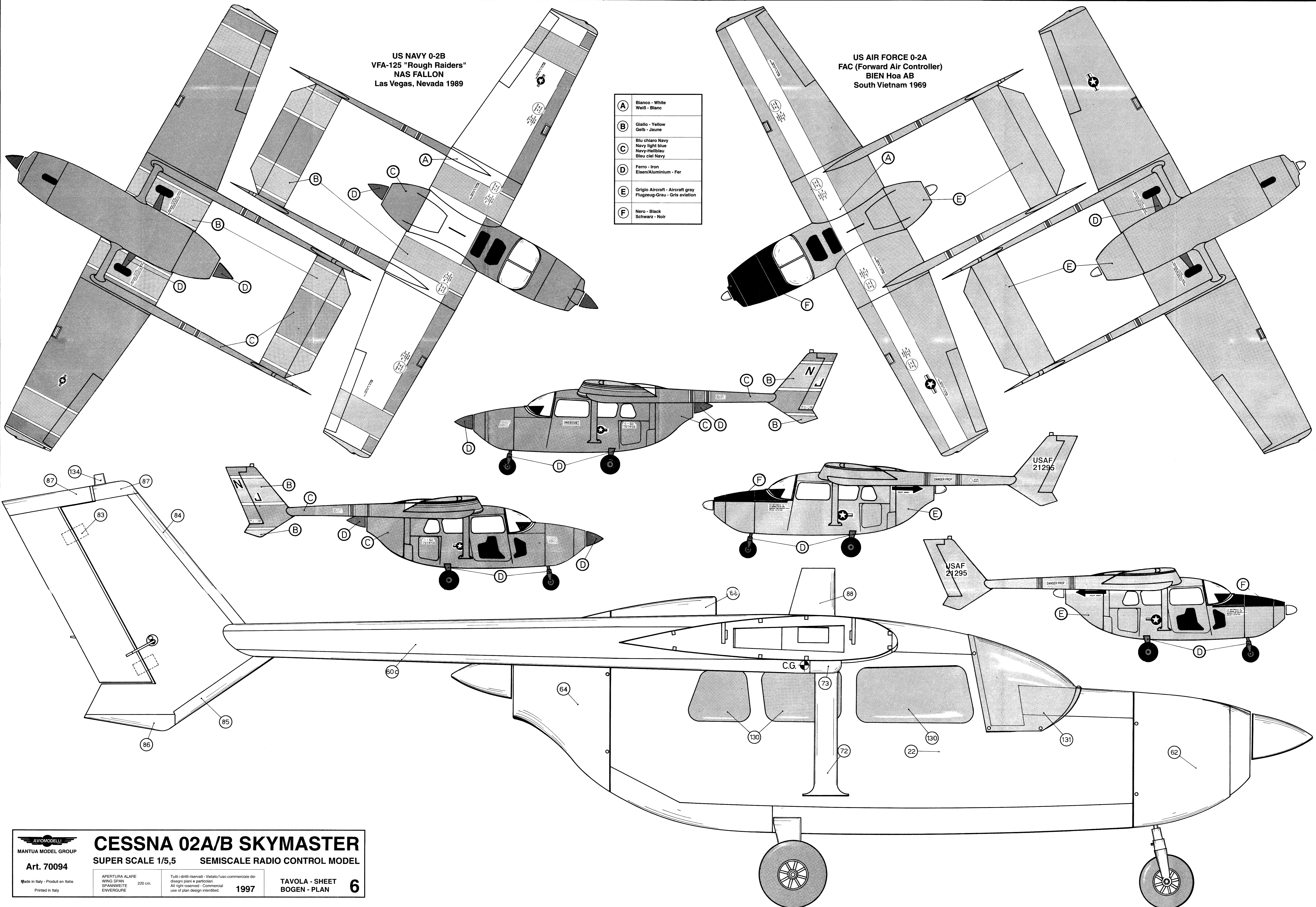
SUPER SCALE 1/5,5 SEMISCALE RADIO CONTROL MODEL

APERTURA ALARE
WING SPAN 220 cm.
SPANNWEITE
ENVERGURE

TAVOLA - SHEET
BOGEN - PLAN **5**

Tutti i diritti riservati - Vietato l'uso commerciale dei disegni piani e particolari.
All right reserved - Commercial use of plan design interdicted. 1997





US NAVY 0-2B
VFA-125 "Rough Raiders"
NAS FALLON
Las Vegas, Nevada 1989

US AIR FORCE 0-2A
FAC (Forward Air Controller)
BIEN Hoa AB
South Vietnam 1969

(A)	Bianco - White Weiß - Blanc
(B)	Giallo - Yellow Gelb - Jaune
(C)	Blu chiaro Navy Navy light blue Navy-Hellblau Bleu ciel Navy
(D)	Ferro - Iron Eisen/Aluminium - Fer
(E)	Grigio Aircraft - Aircraft gray Flugzeug-Grau - Gris aviation
(F)	Nero - Black Schwarz - Noir

