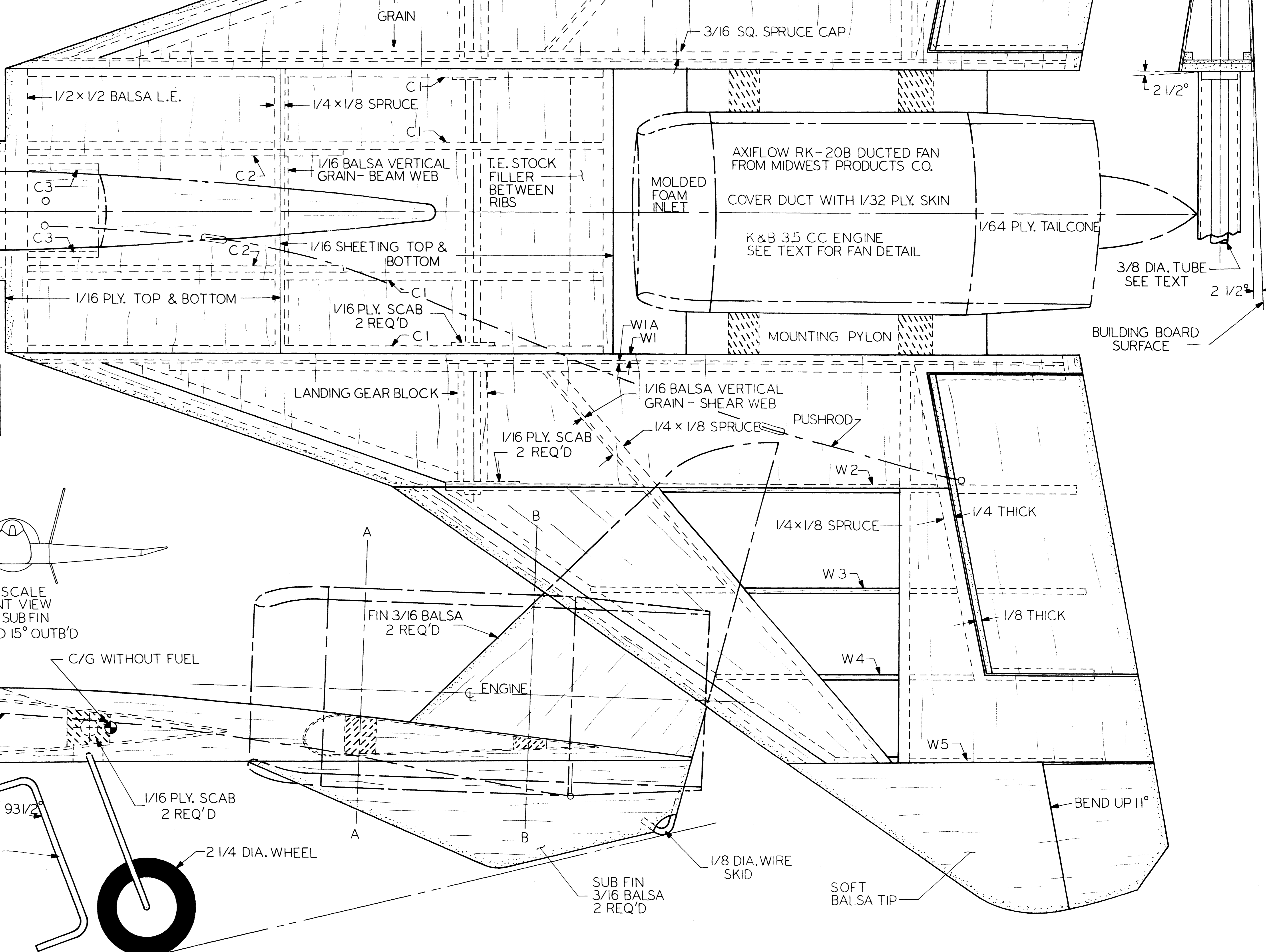
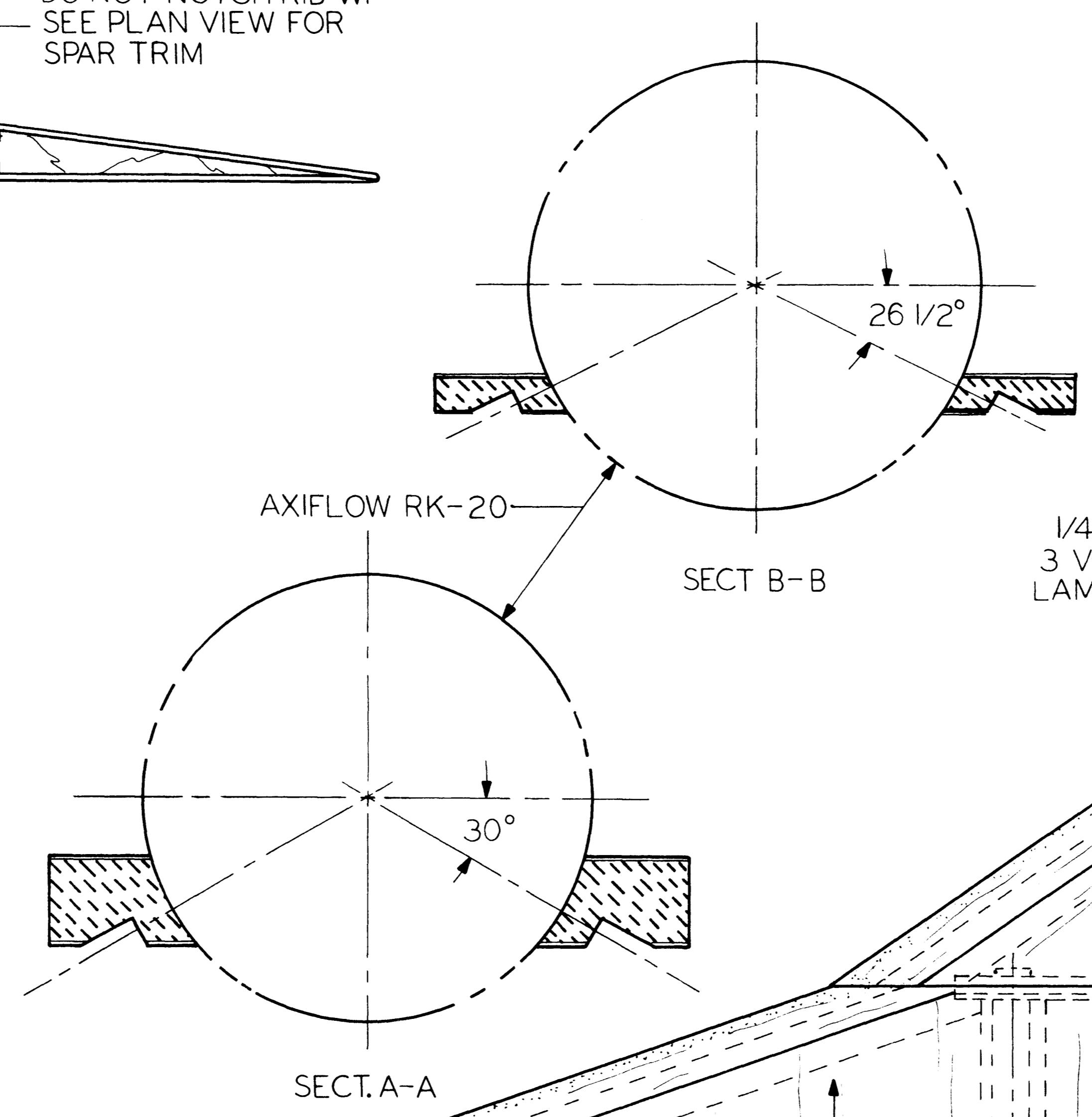


TOMMYCAT
DESIGNED BY R.W. KRESS
BUILT & FLOWN BY RON FARKAS
DRAWN BY VINCE SARDI
INKED BY BOB HUNT

0 1 2 3 4 5 6

NOTES:
1. FIN SUB FIN & WING TIPS
OUTBOARD OF W5 RIB ARE
SHOWN IN TRUE VIEW



WASHOUT TEMPLATE
5°

LOCATE WASHOUT TEMPLATE
UNDER RIB W5

SOFT BALSA TIP

TAPER SPARS TO 1/16
AT RIB W5

GRAIN

1/16 SHEETING

3/16 SQ. SPRUCE CAP

GRAIN

1/16 PLY. TOP & BOTTOM

1/16 PLY. SCAB
2 REQ'D

C1

C1

C1

C1

C1

C1

C1

C1

C1

C1

C1

C1

C1