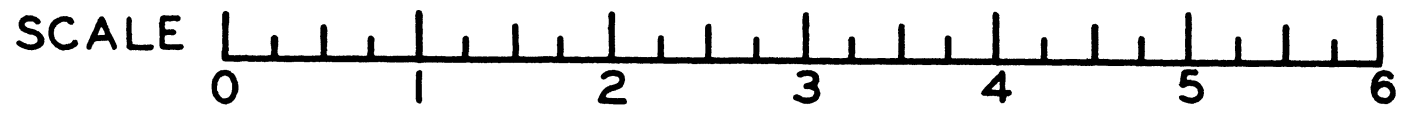
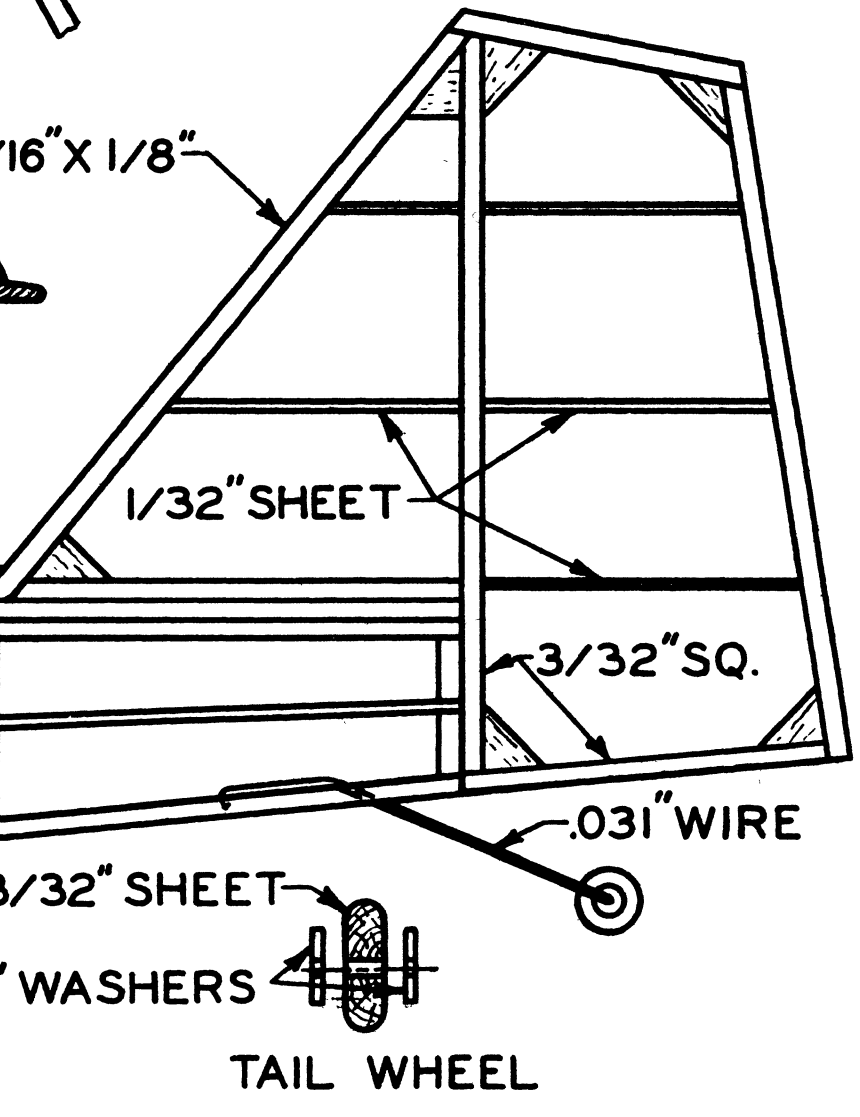
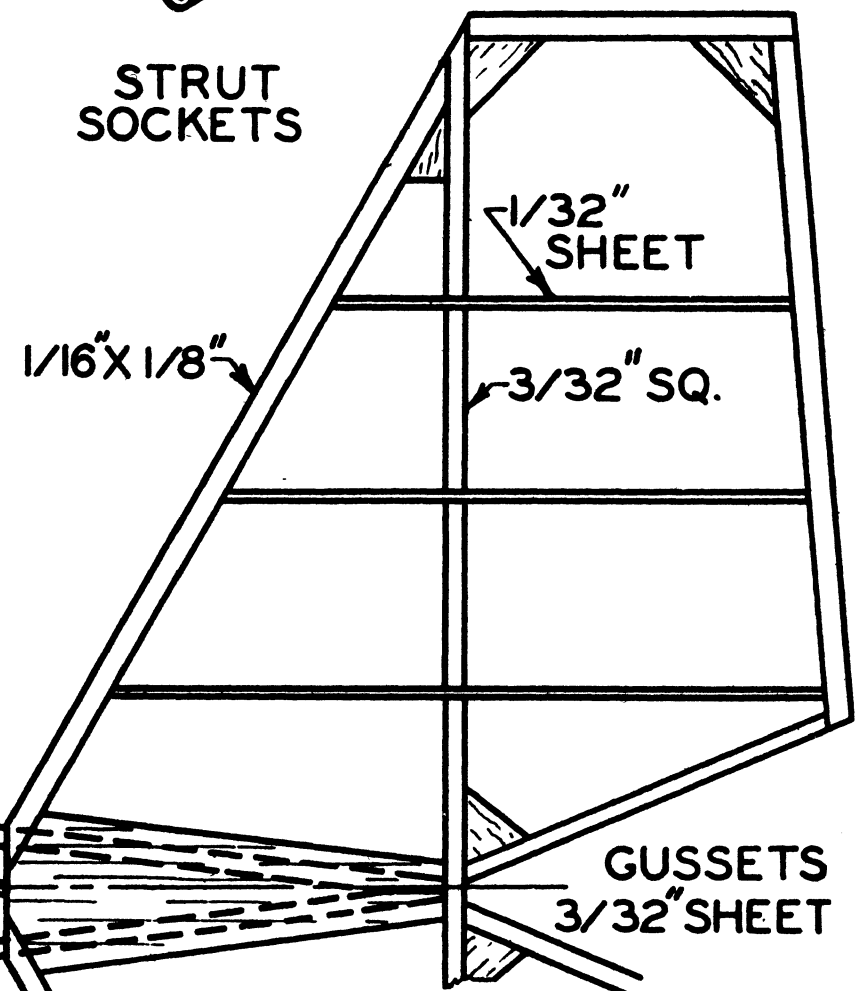


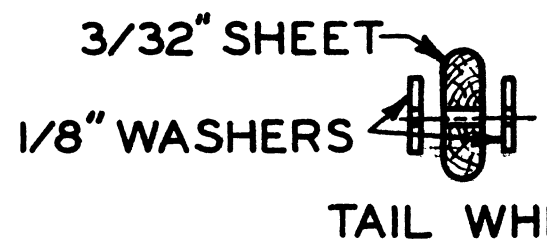
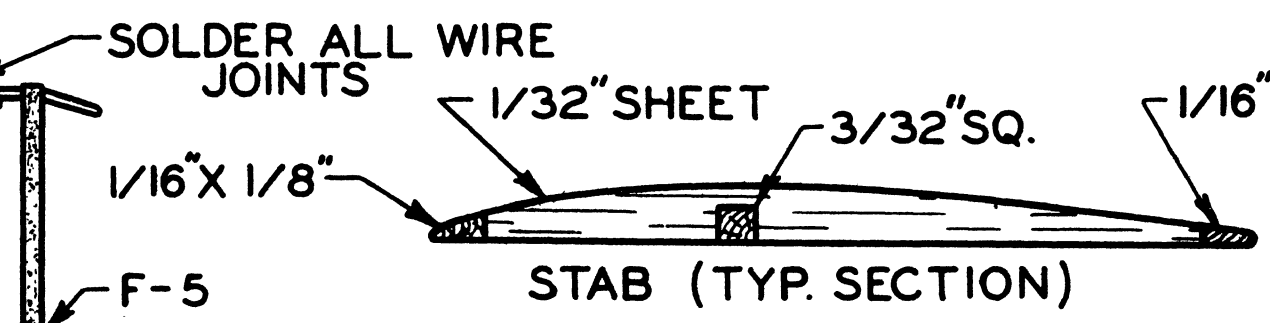
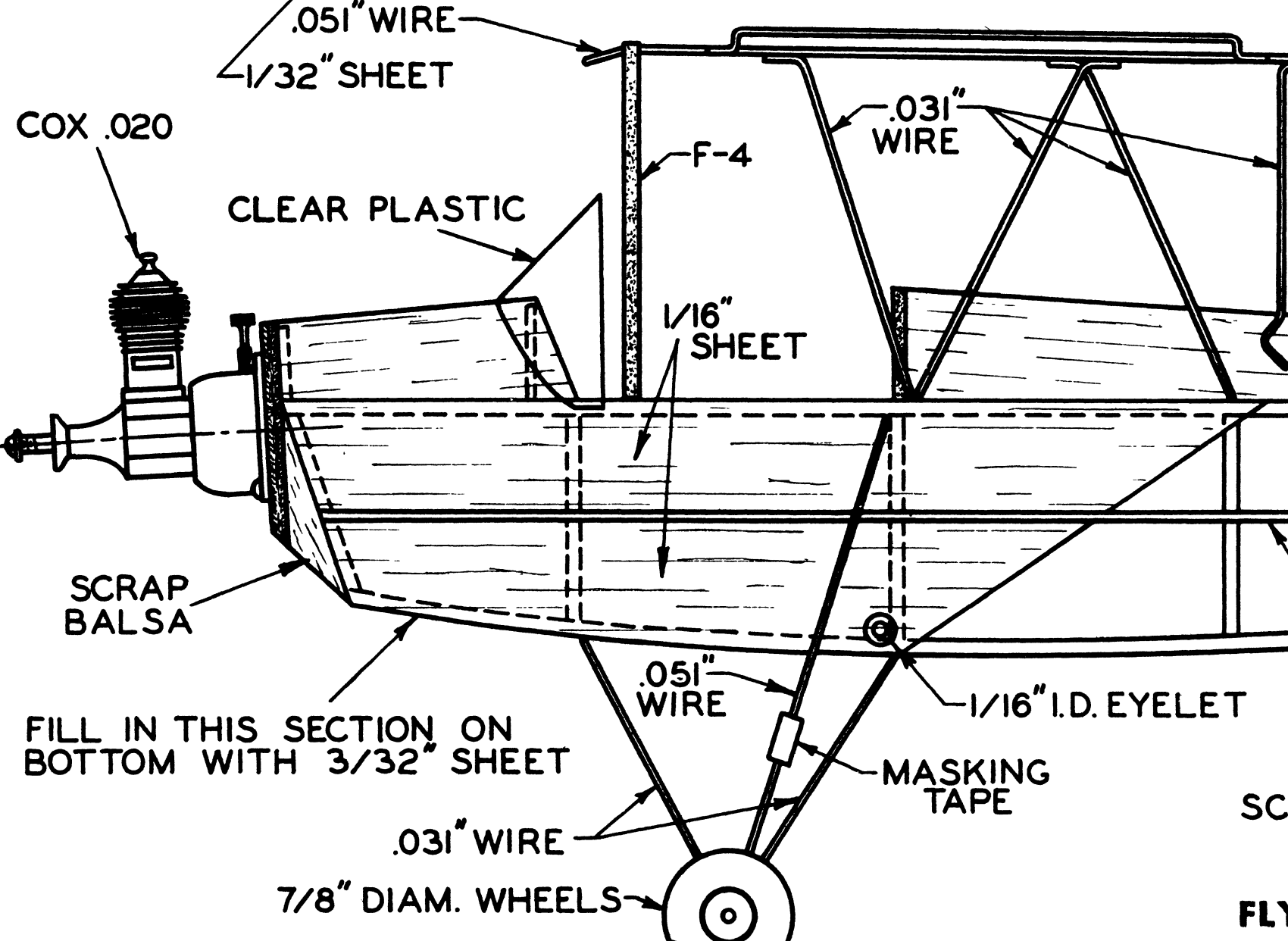
2" DIHEDRAL AT EACH TIP
 1/16" O.D. ALUM. TUBE
 3/32" SQ.
 CEMENT & BIND WITH THREAD



SCALE 0 1 2 3 4 5 6

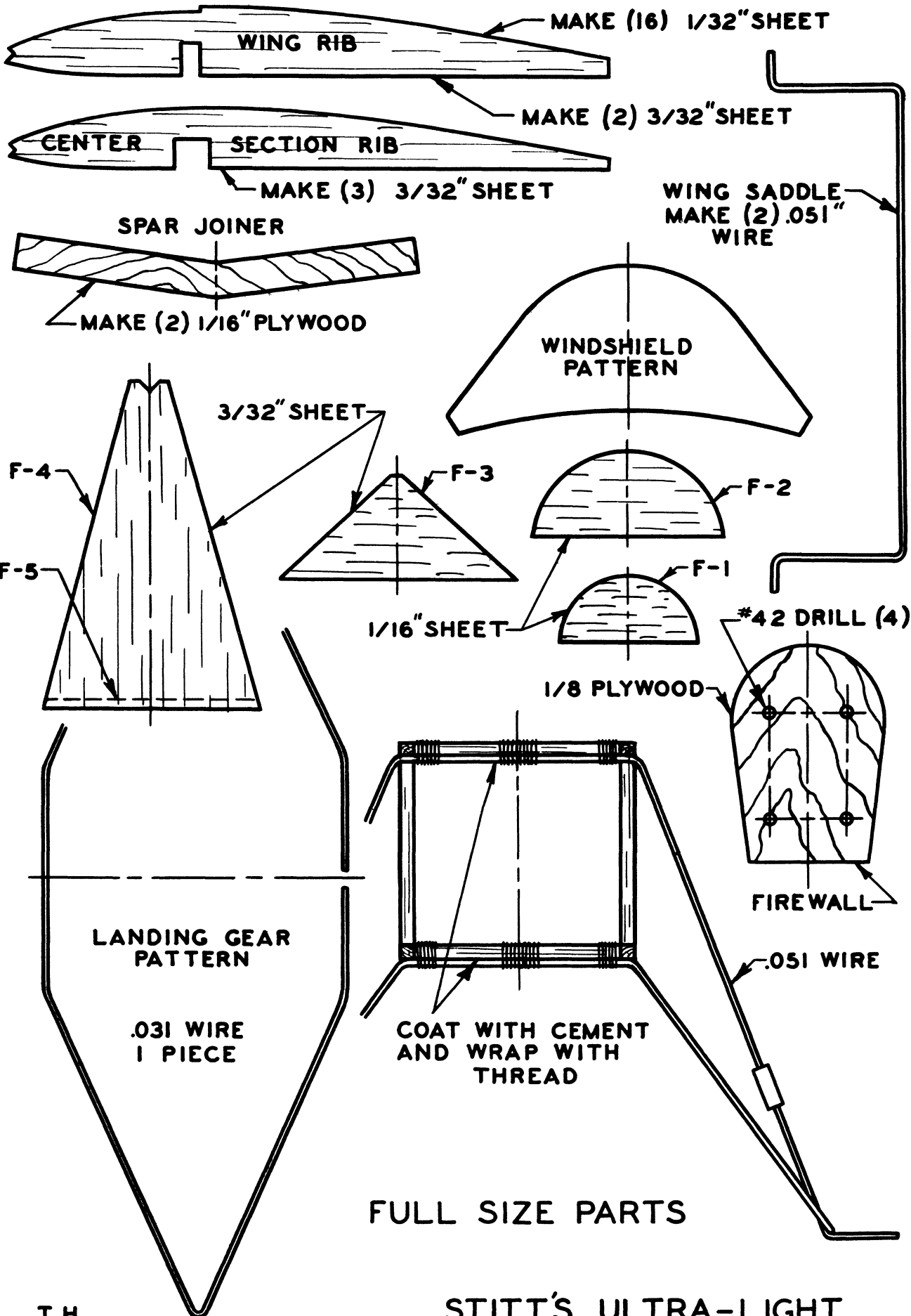
STITT'S ULTRA-LIGHT
 DESIGNED & DRAWN BY TOM HENEBRY

AILERON HINGE LINE



7/8" DIAM. WHEELS

FILL IN THIS SECTION ON BOTTOM WITH 3/32" SHEET



FULL SIZE PARTS

T.H.

STITT'S ULTRA-LIGHT