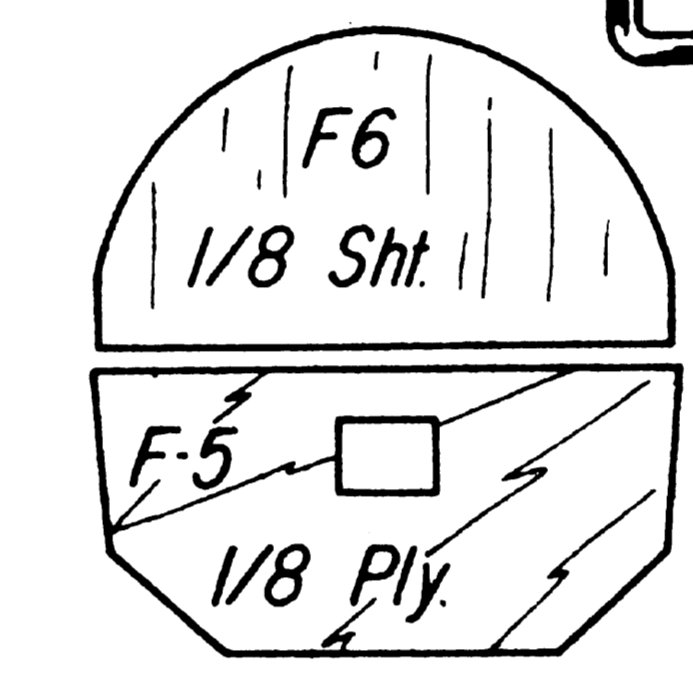
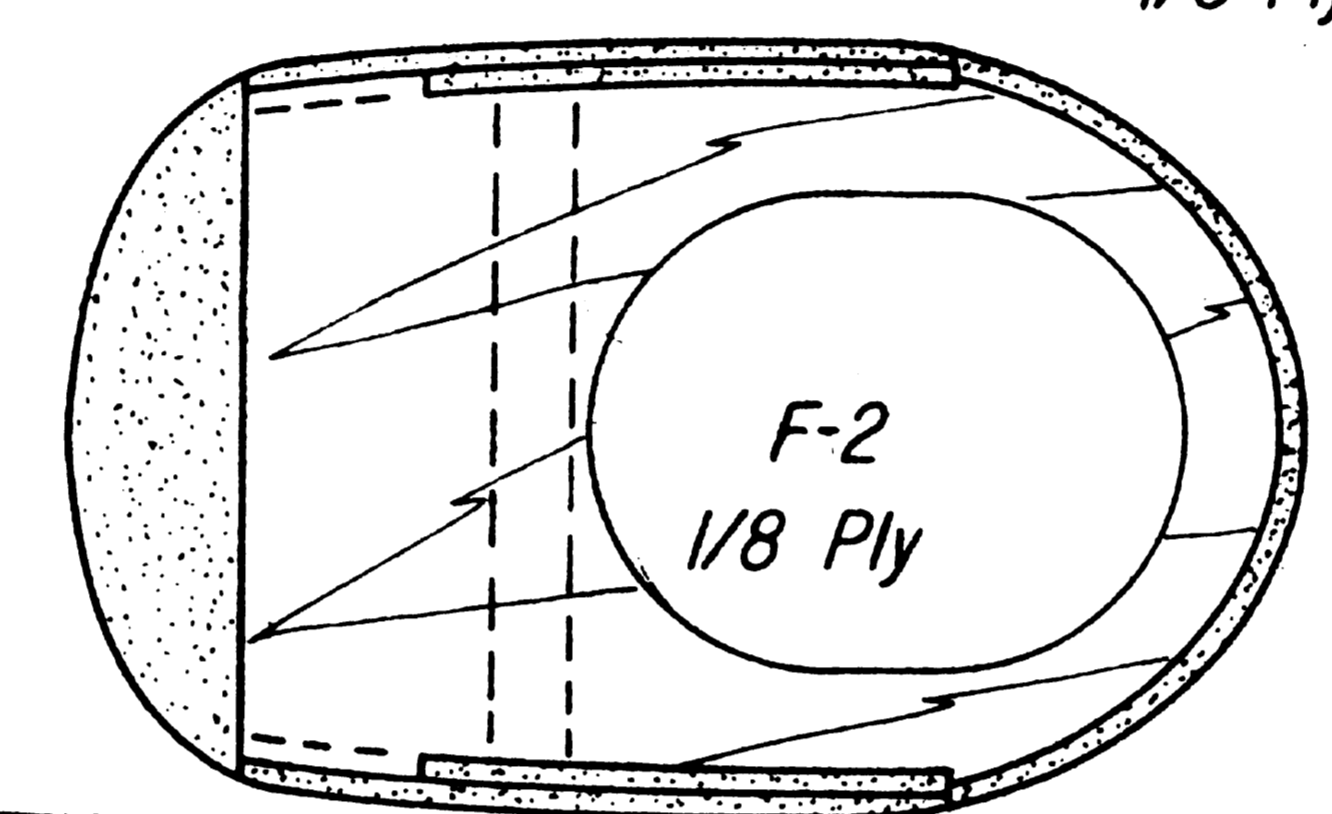
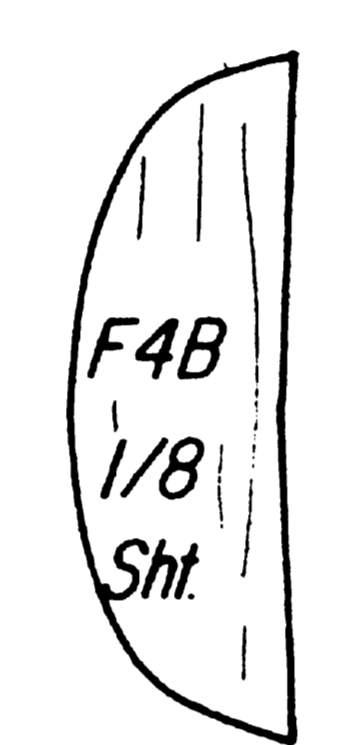
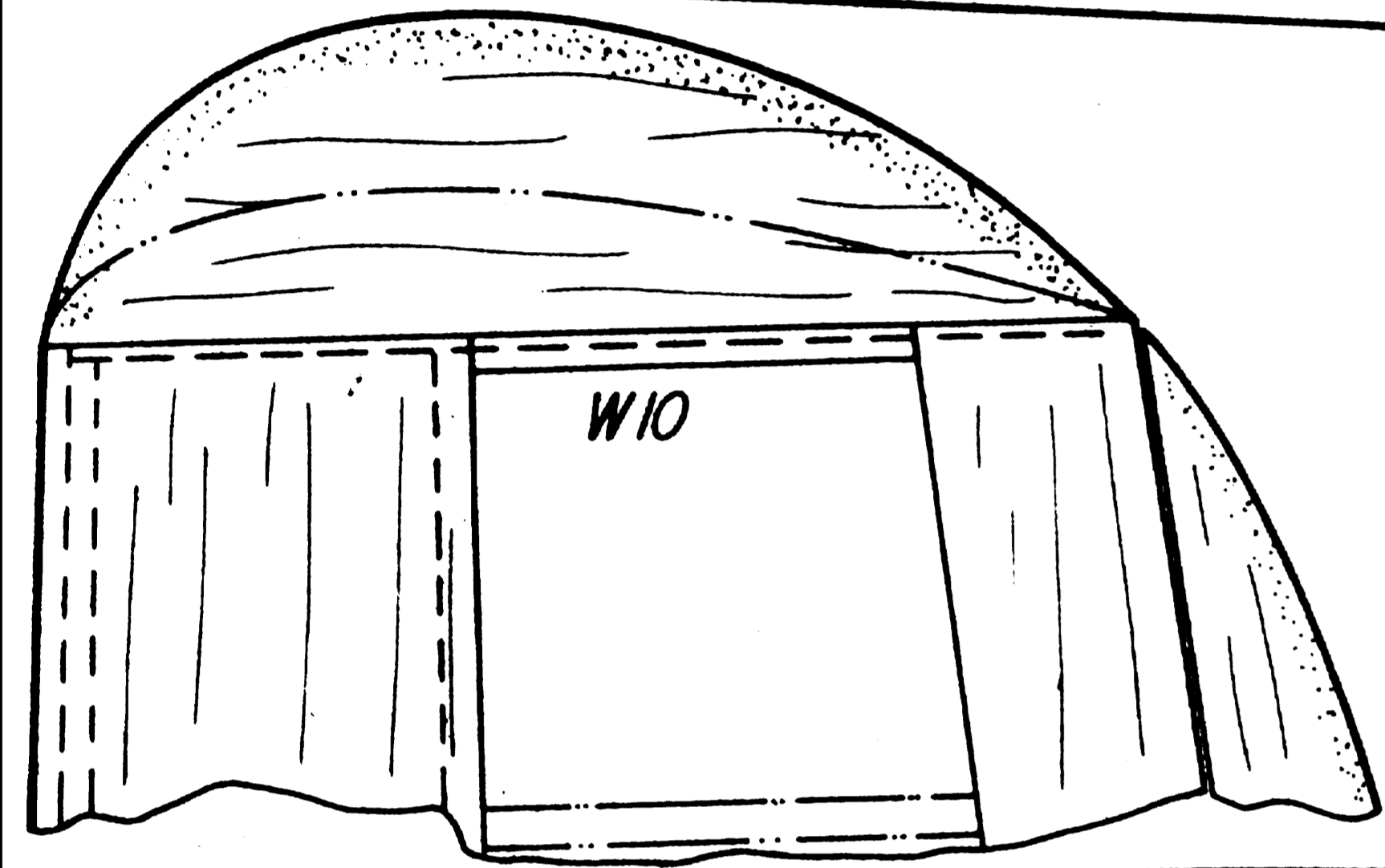


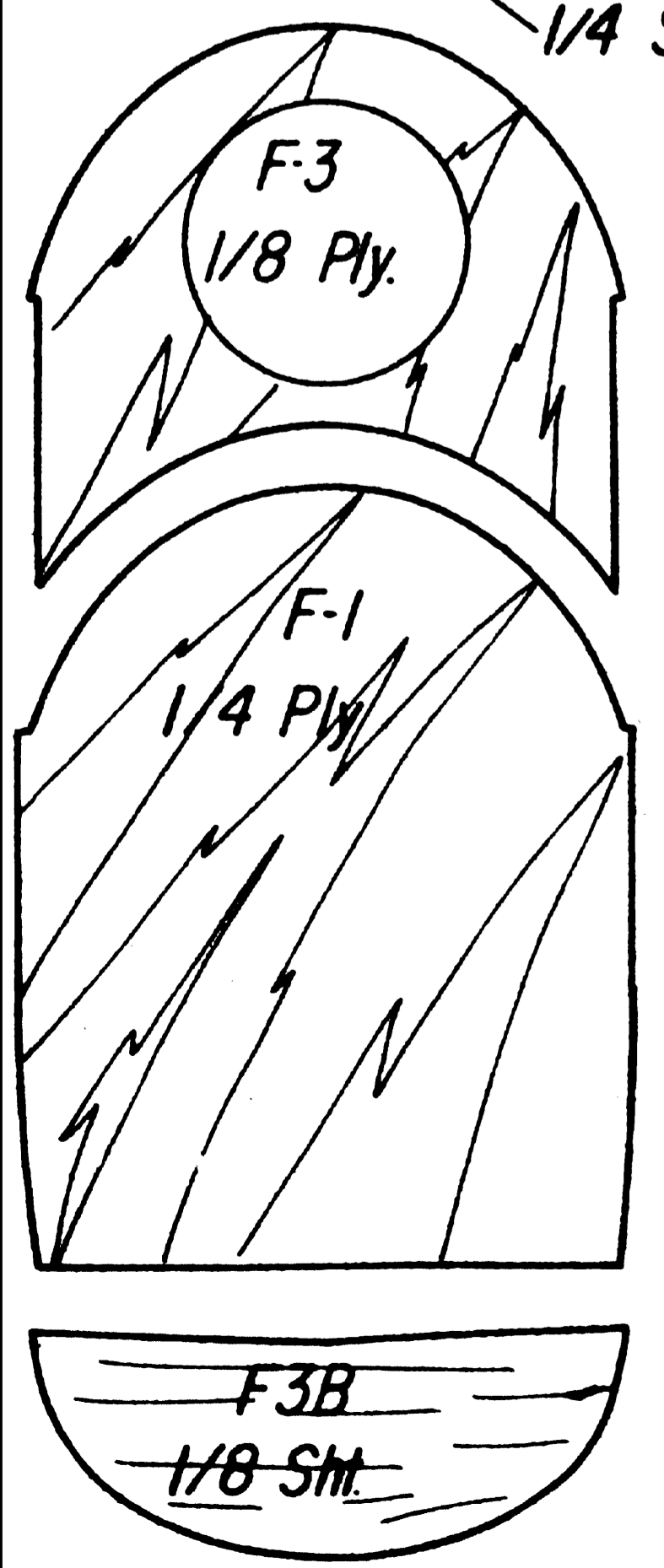
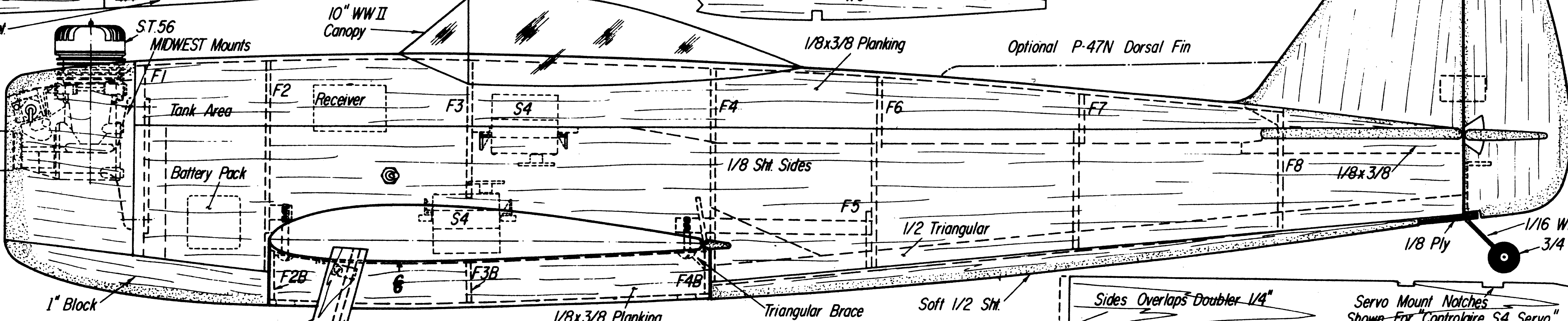
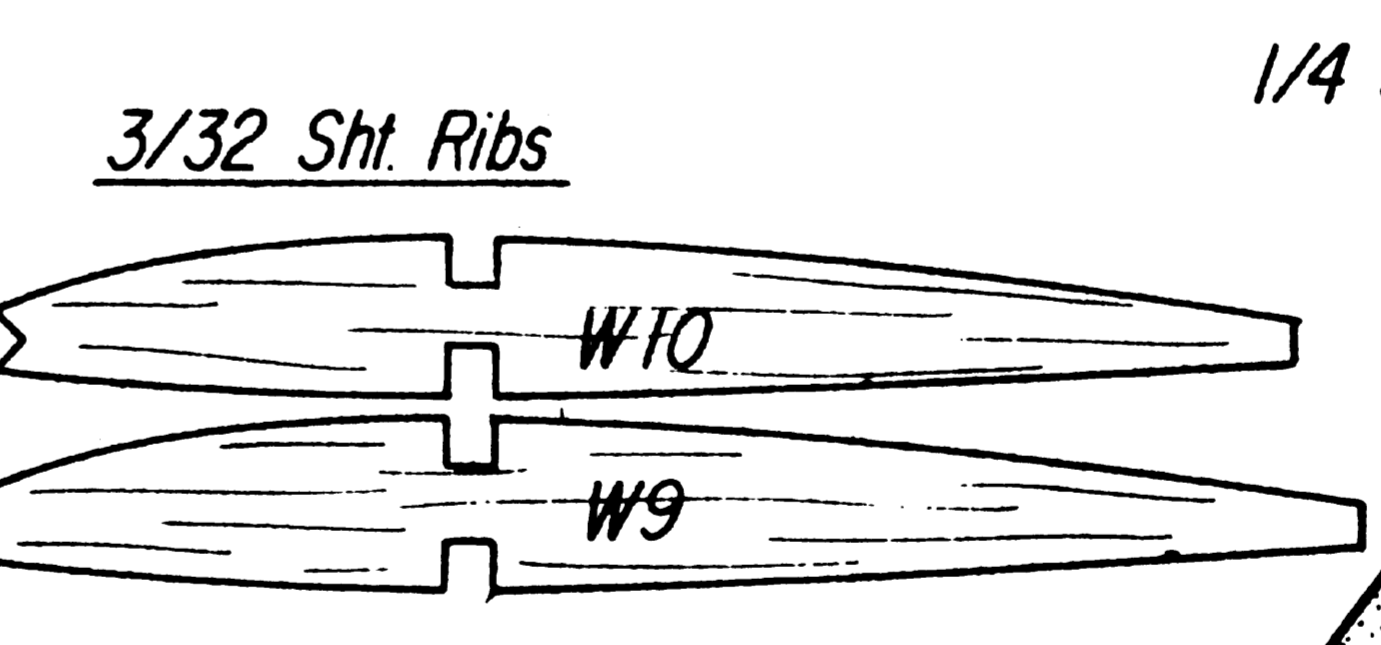
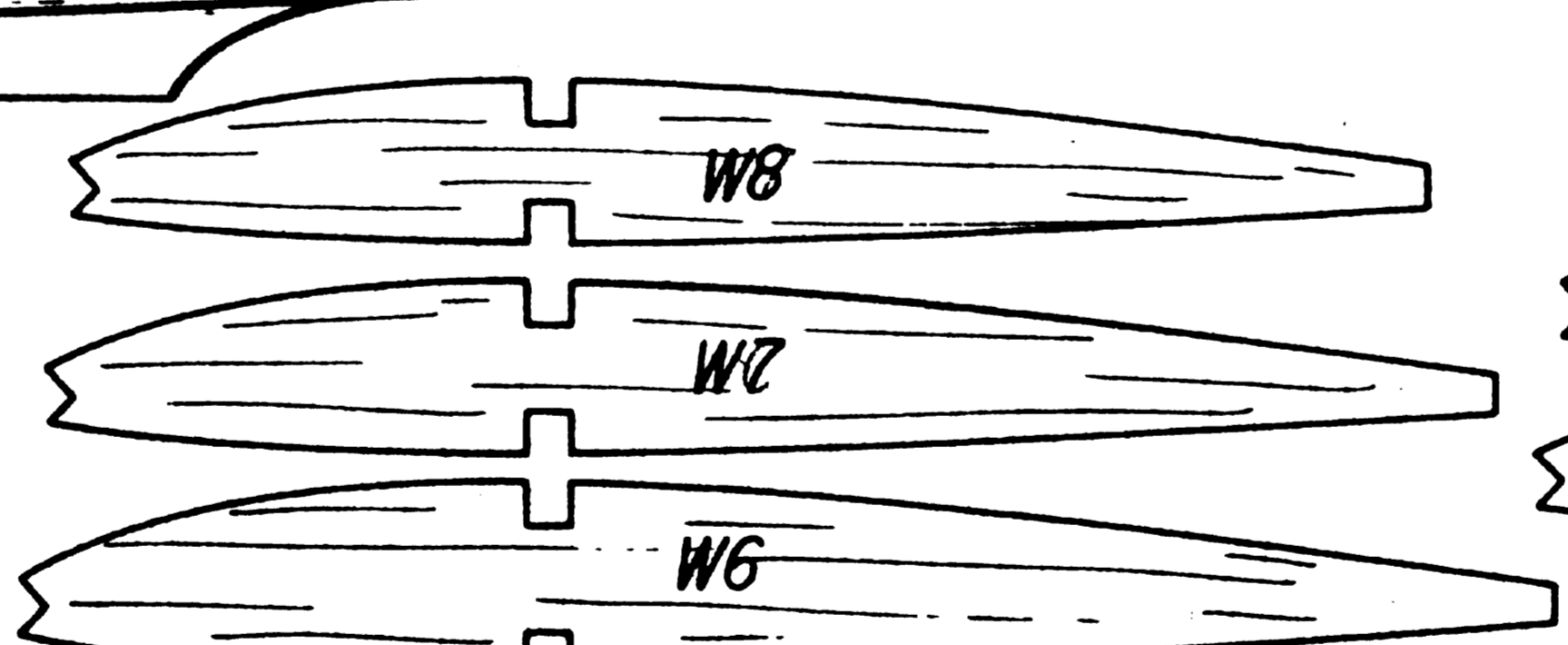
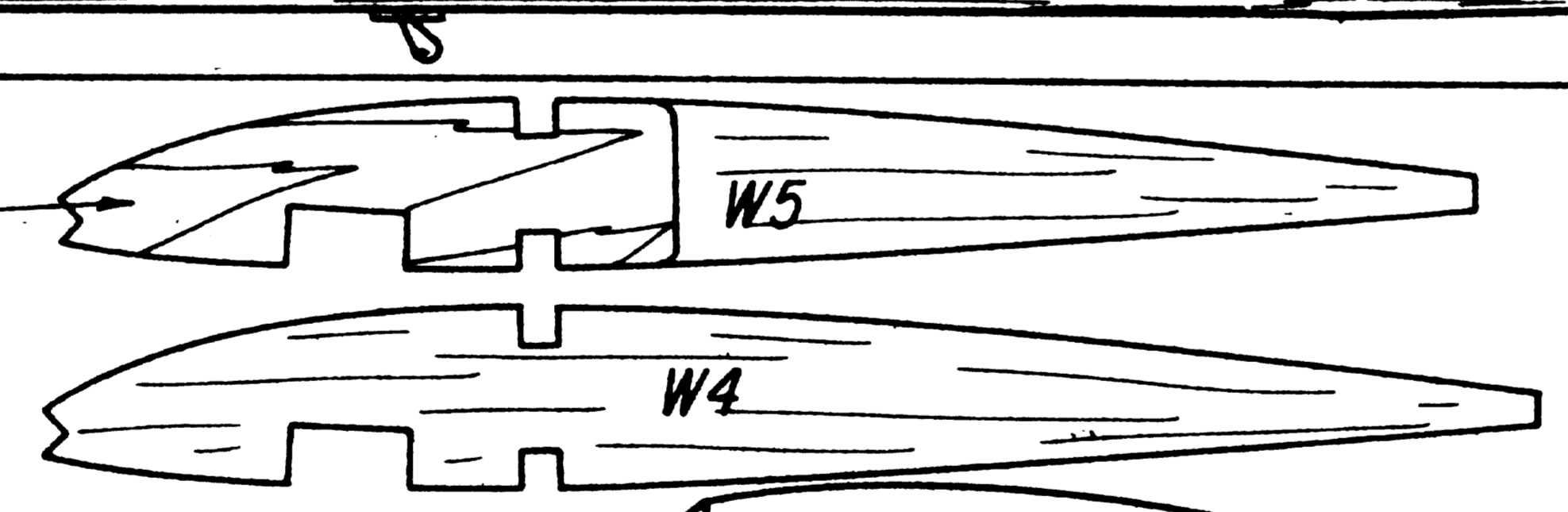
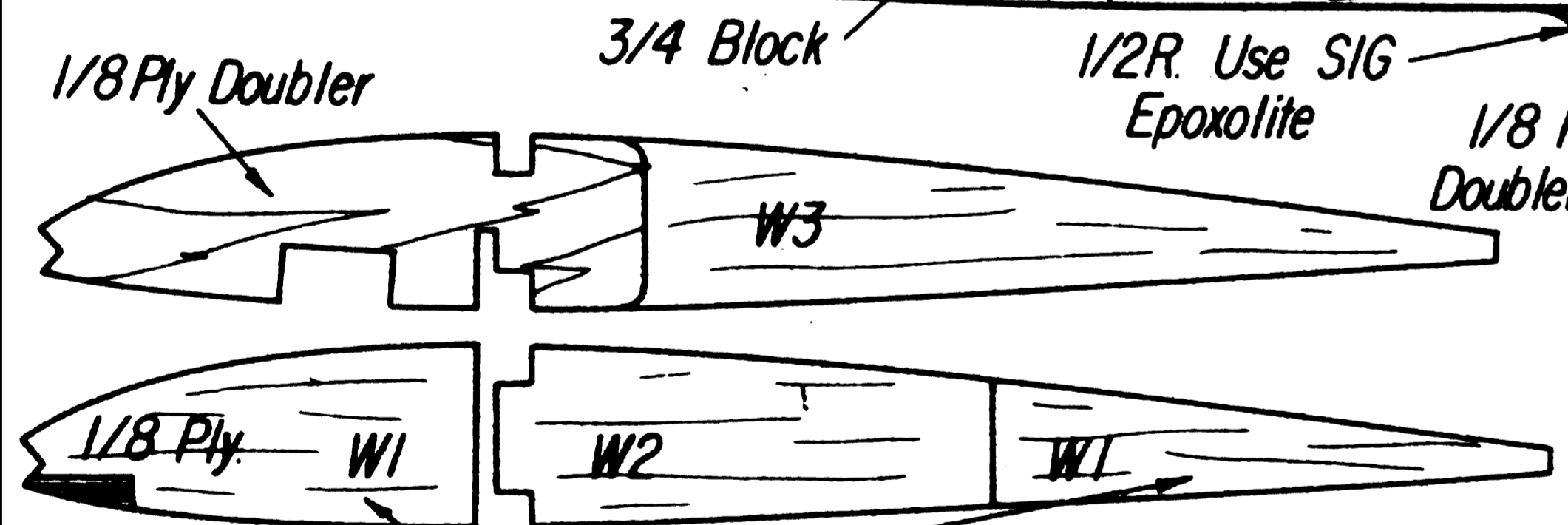
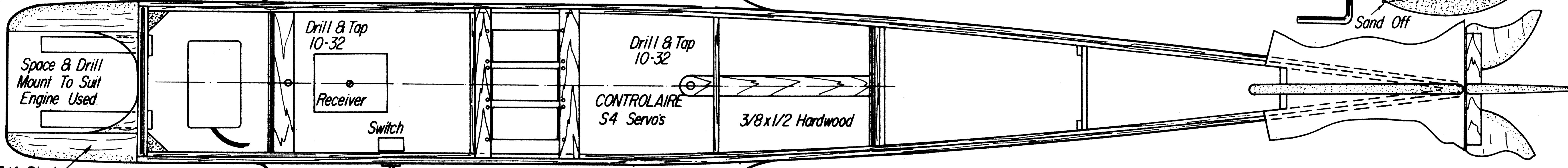
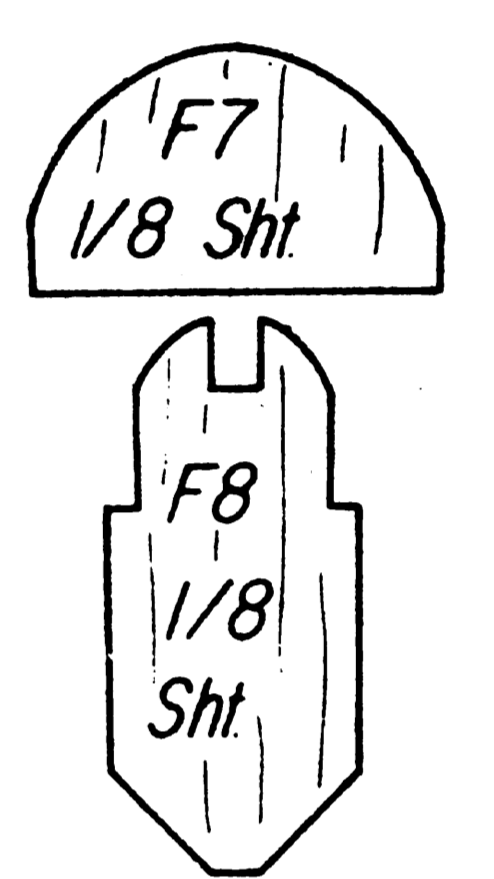
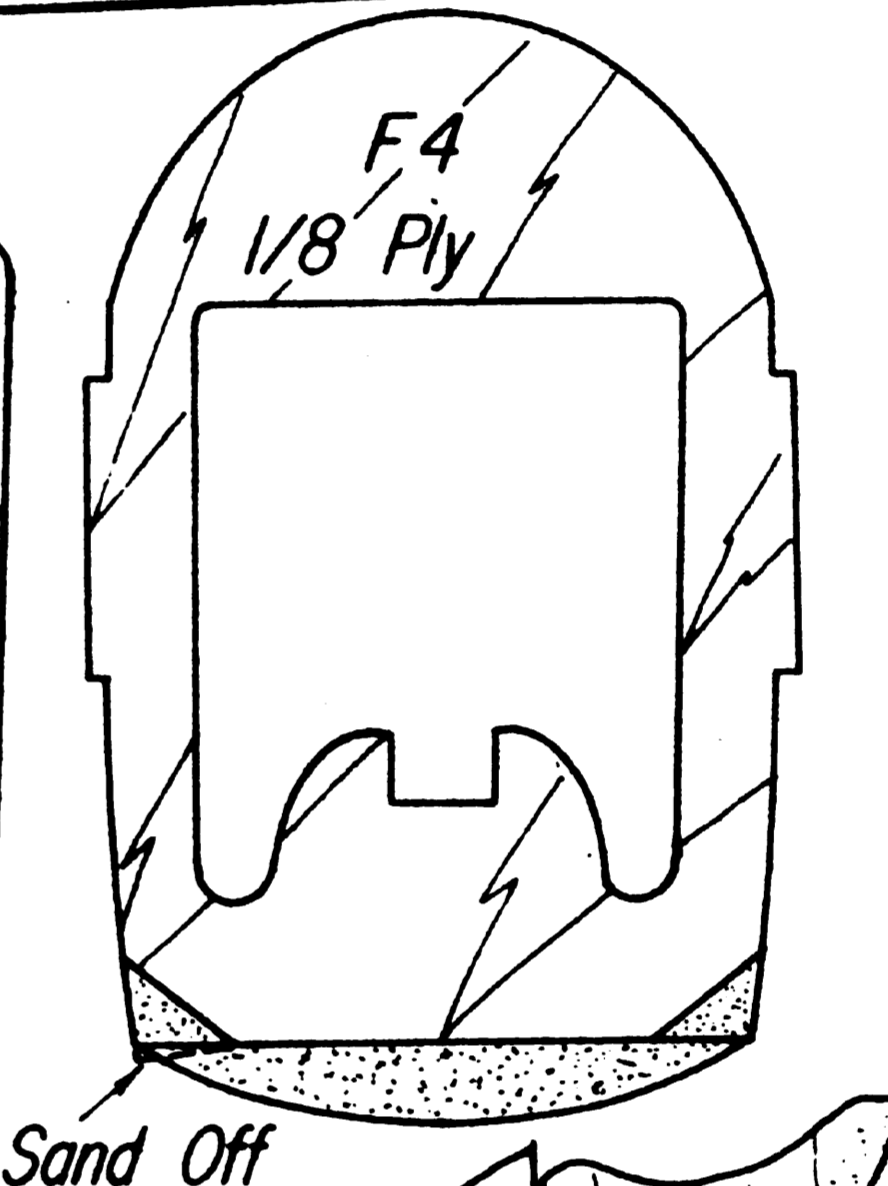
P-47D OR N

Designed by NICK ZIROLI
Inked by Al Novotnik

NOTE:
1 3/8 Dihedral Under Each Wing Tip.



LANDING GEAR
5/32 Dia Wire



1" Block

3" Dia. Wheels

Metal Clips Soldered To L.G. Legs, Screwed To Covers With 4-40 Screws & Nuts

1/8x3/8 Planking

Dihedral Brace 1/8 Ply

Triangular Brace

Soft 1/2 Sht.

Sides Overlaps Doubler 1/4"

Servo Mount Notches Shown For "Controlaire S4 Servo" Relocate Rear Notch For Others

Fuselage Doubler 1/8 Sht.

