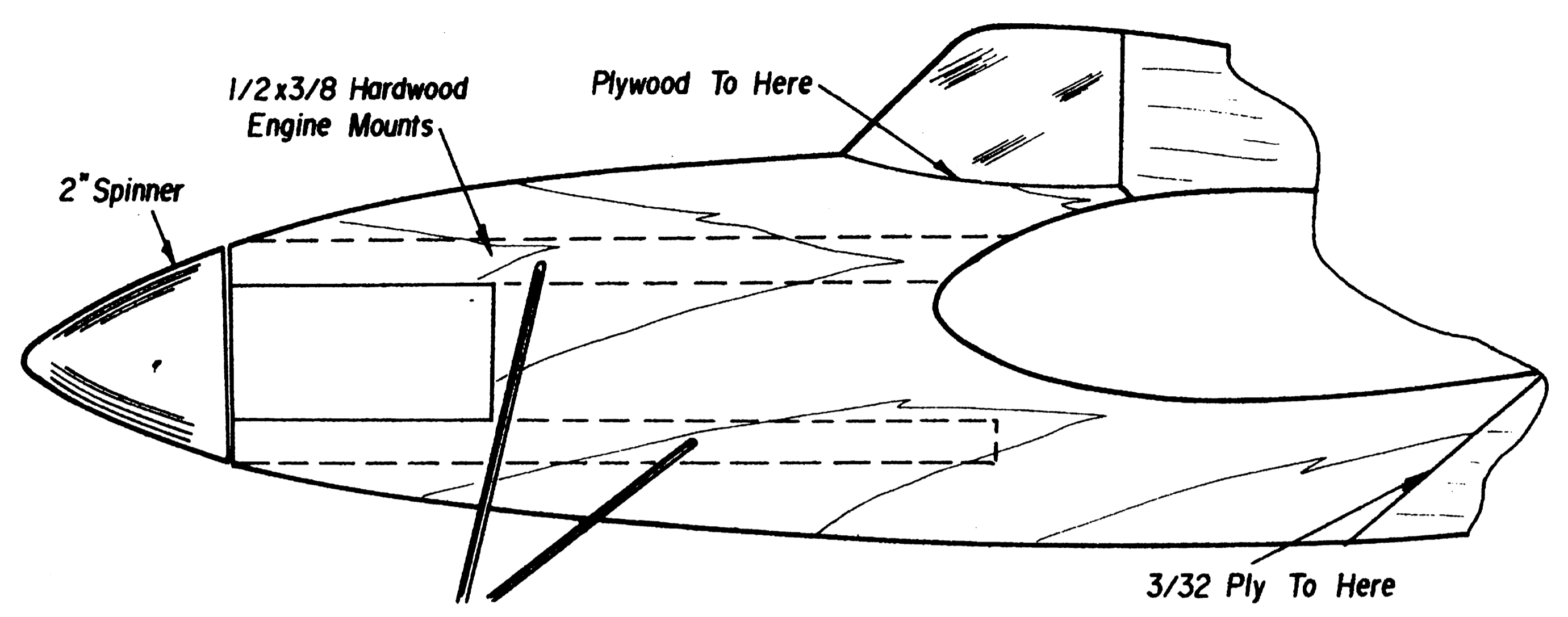
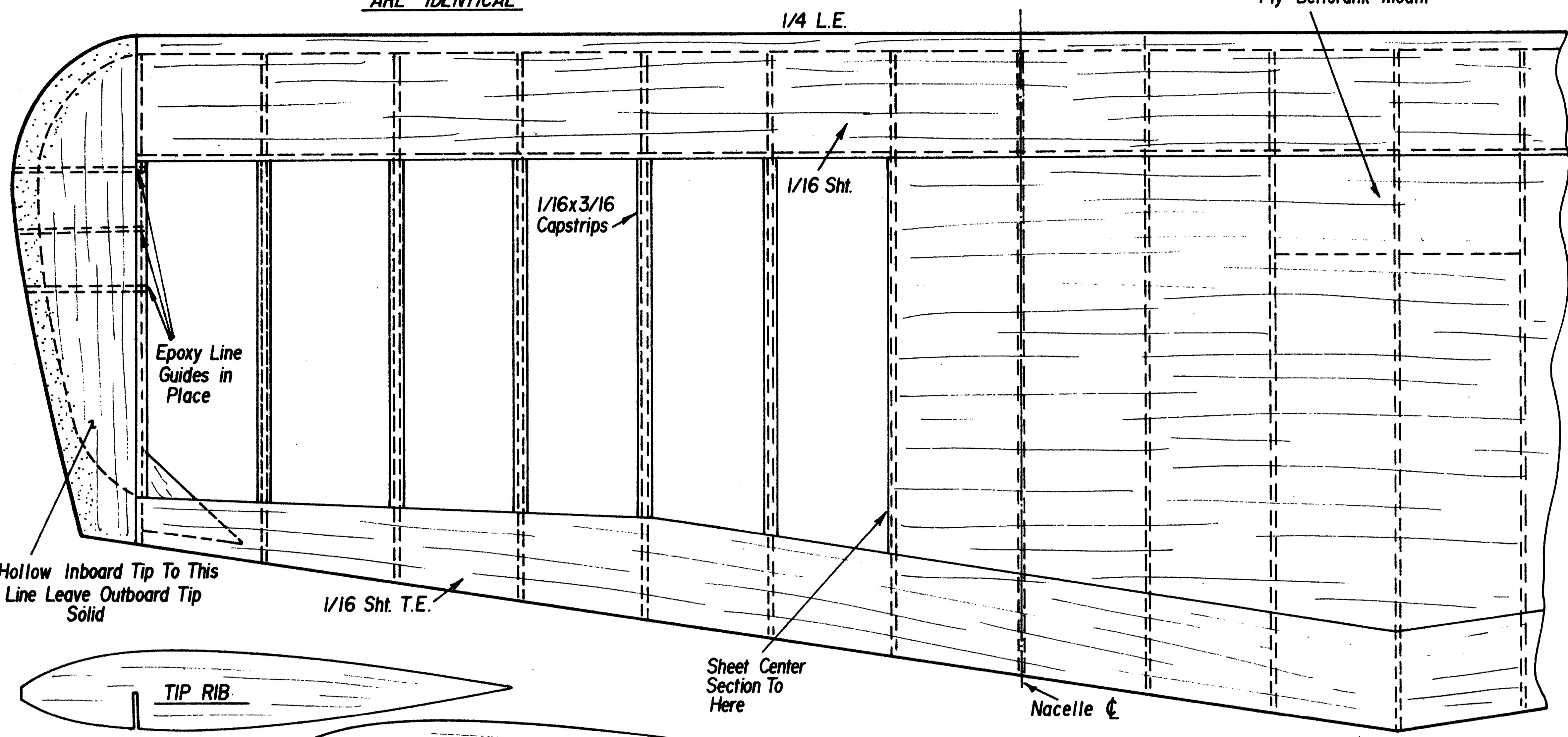
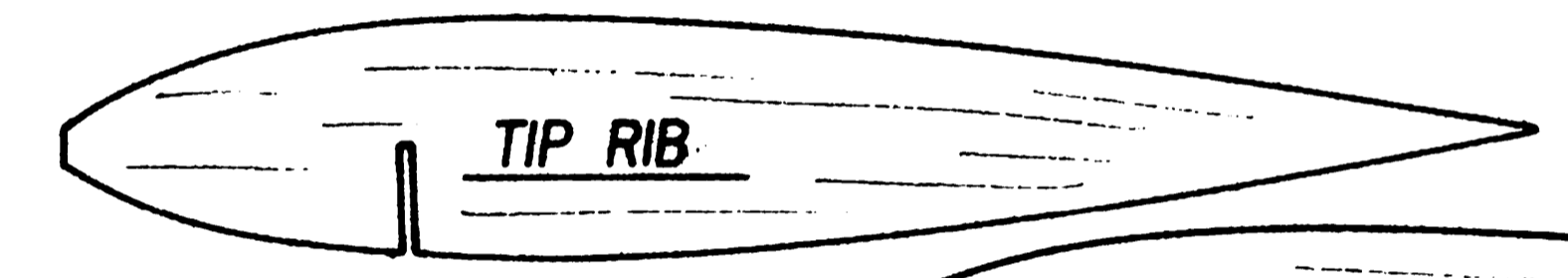


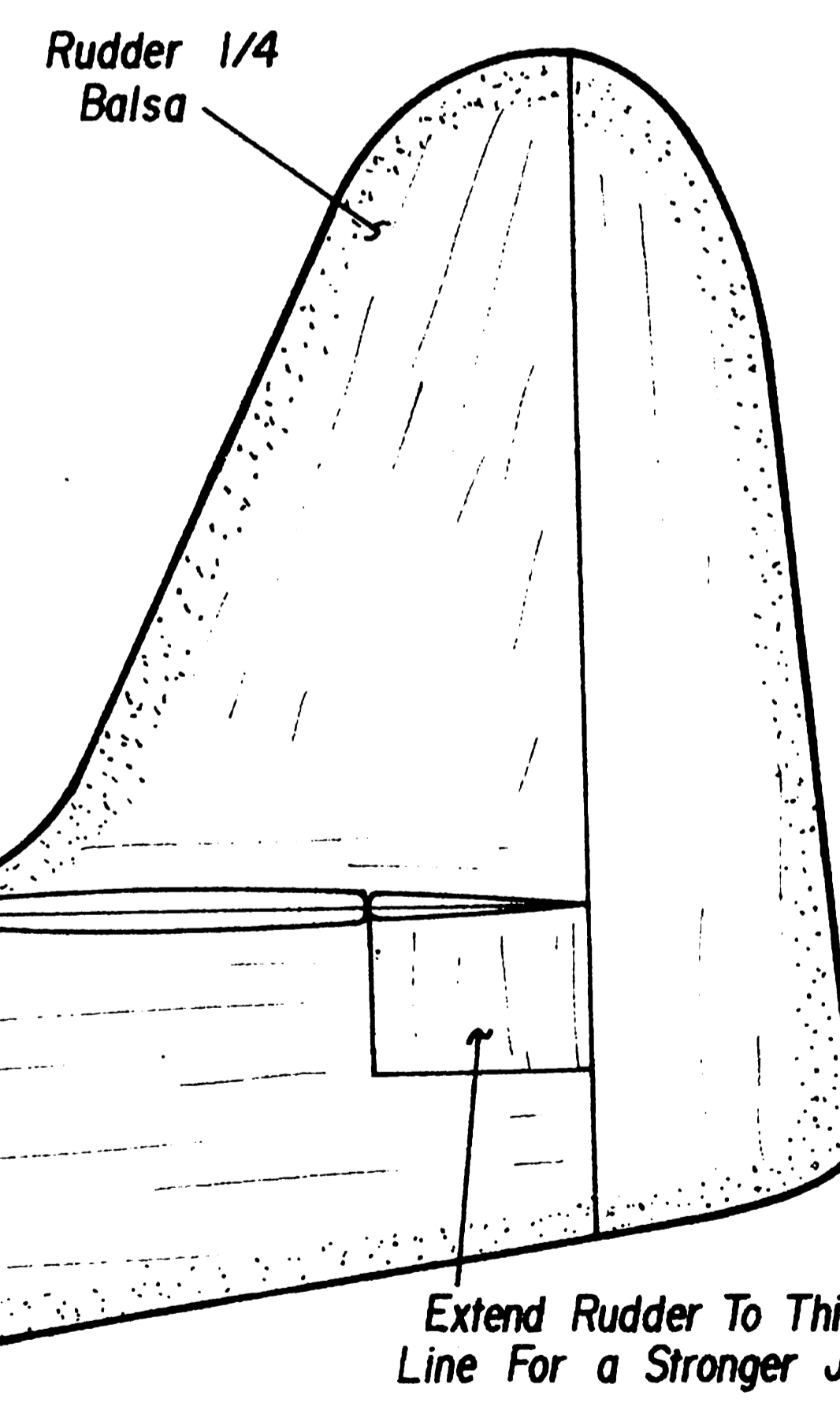
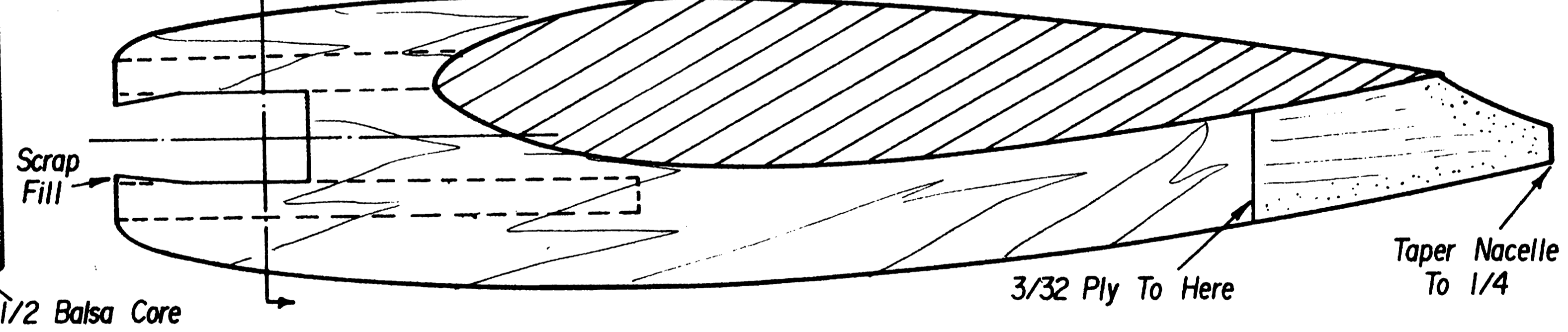
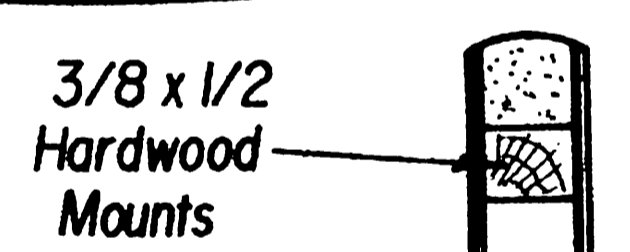
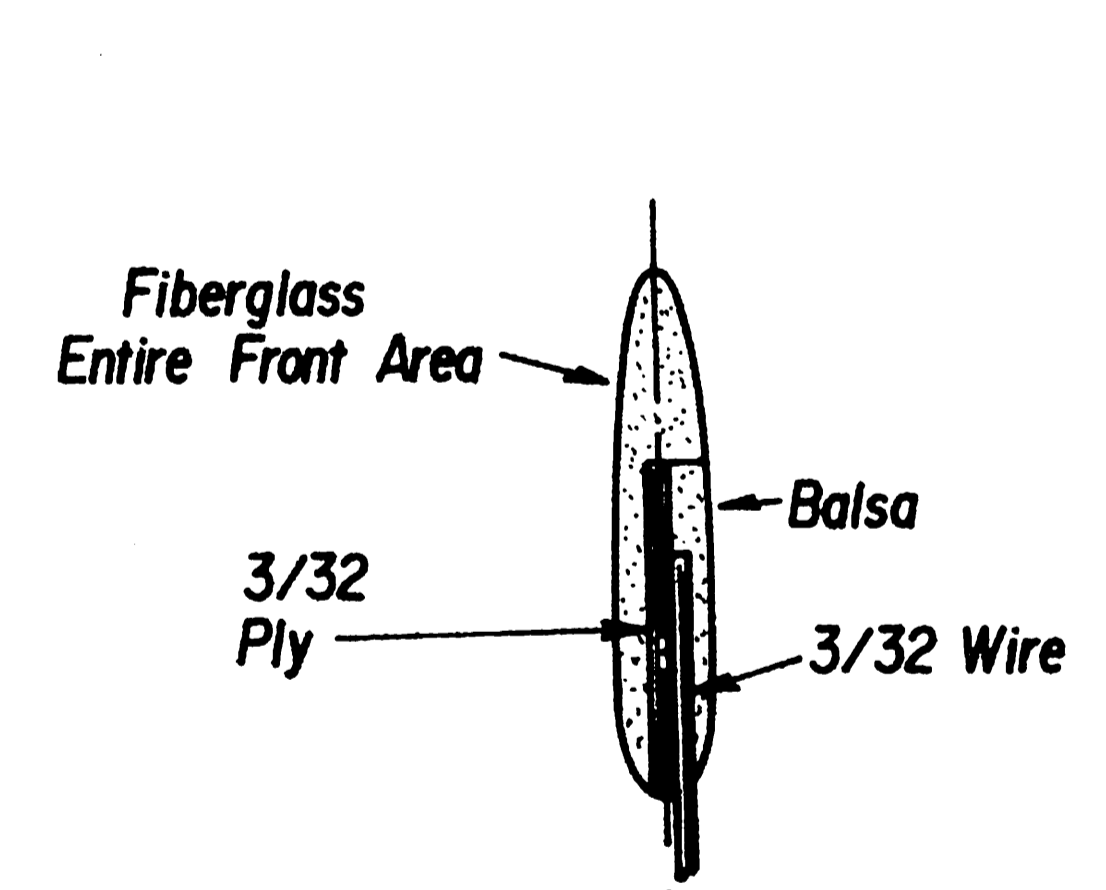
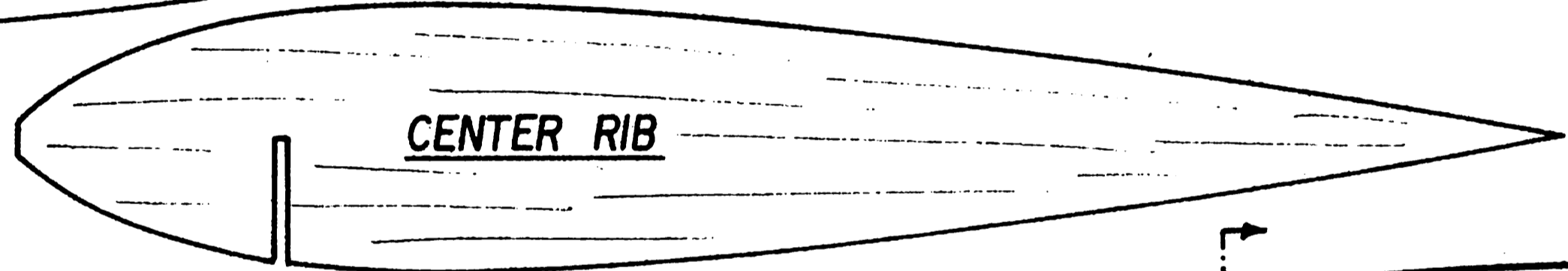
**INBOARD & OUTBOARD WING PANELS
ARE IDENTICAL**



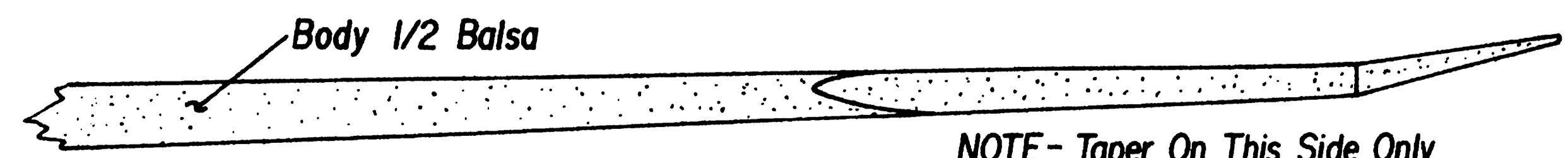
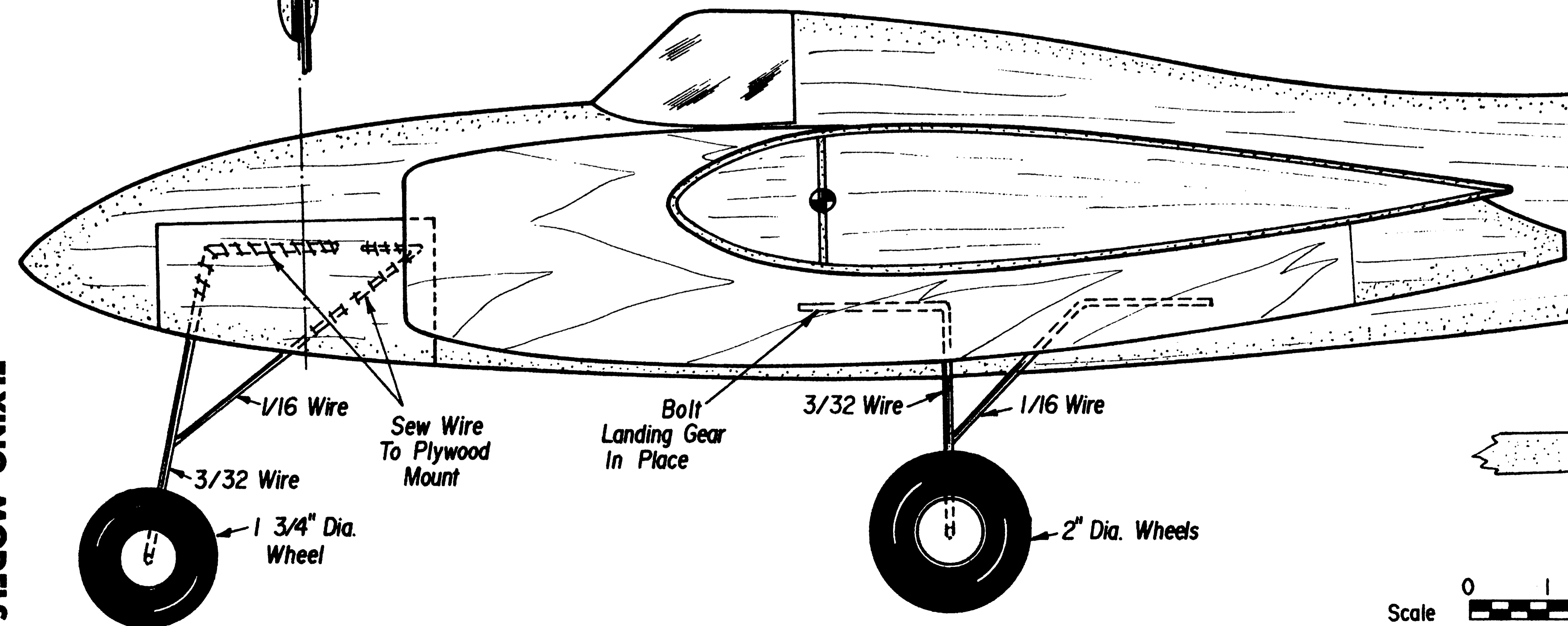
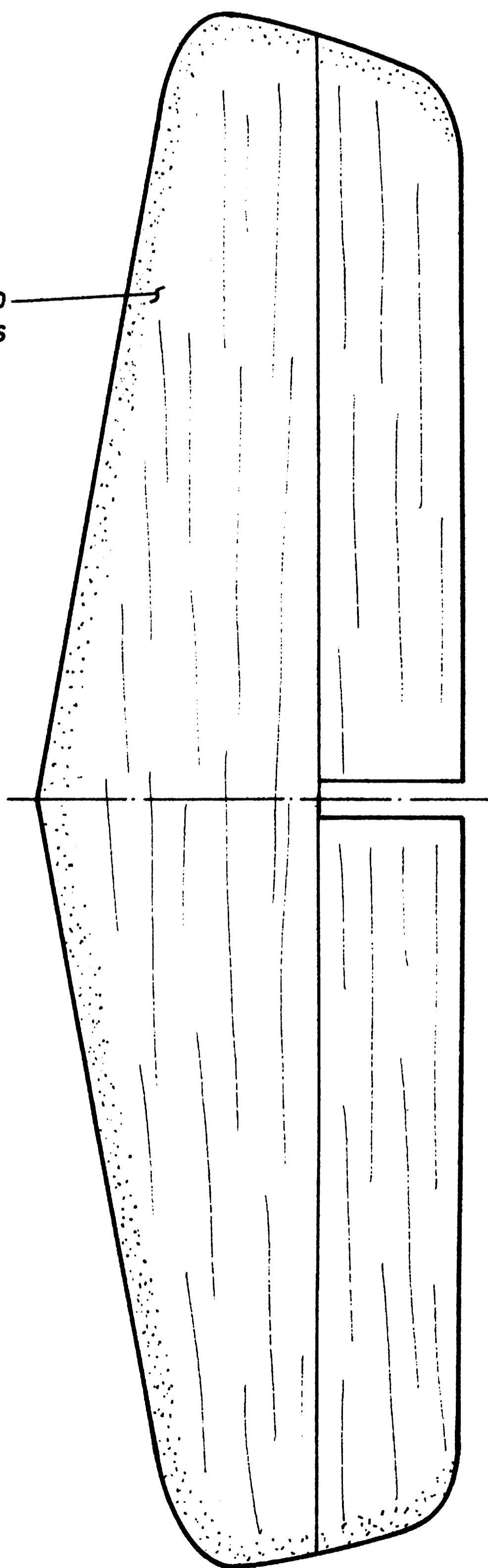
—ALTERNATE SINGLE ENGINE VERSION—



Ribs 1/16 Sht.
Stack Together And
Sand To Shape



Laminate Stab
From (2) Pieces
Of 1/8 Sheet



NOTE- Taper On This Side Only
For Counter Clockwise Flight

