

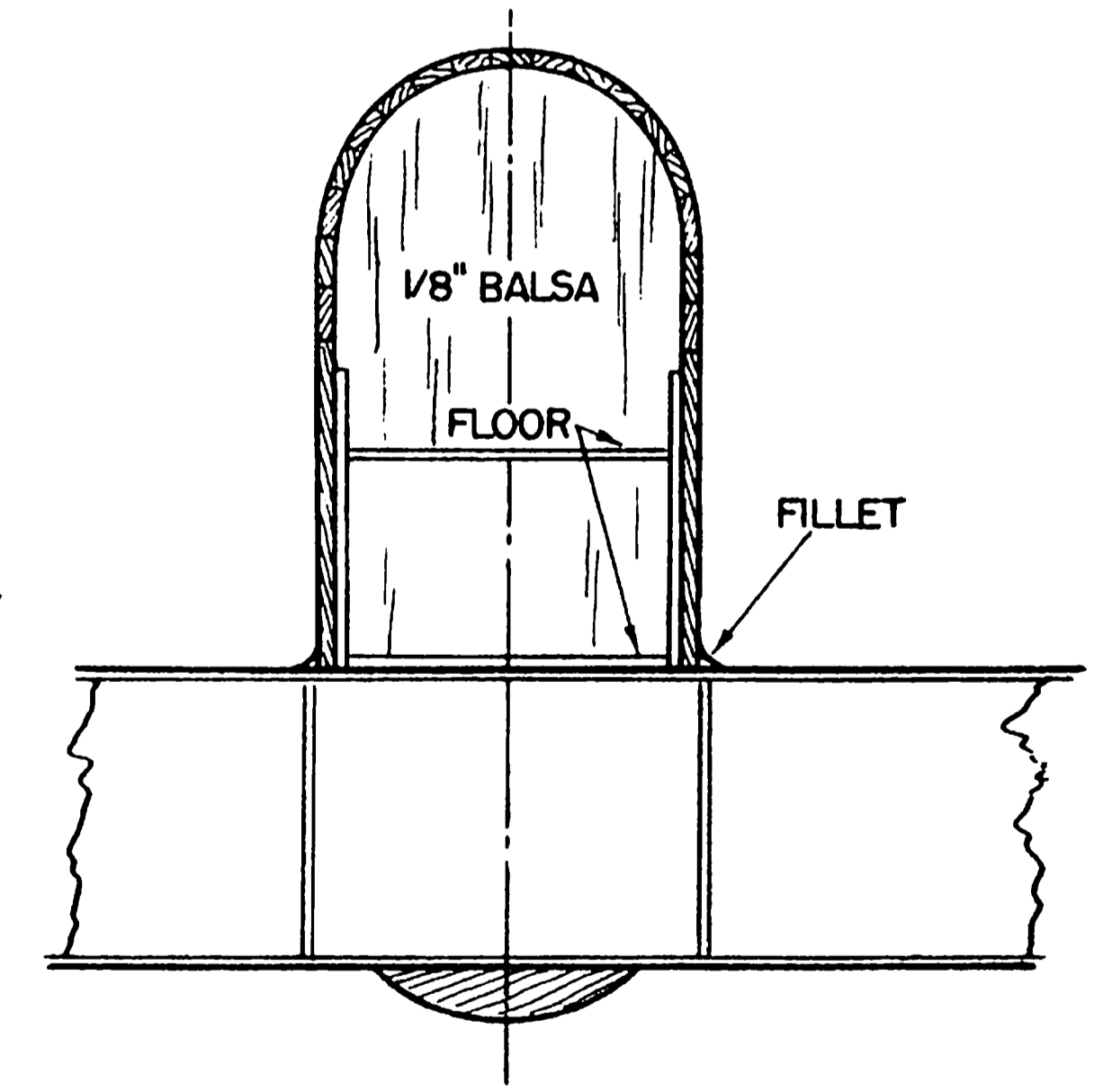
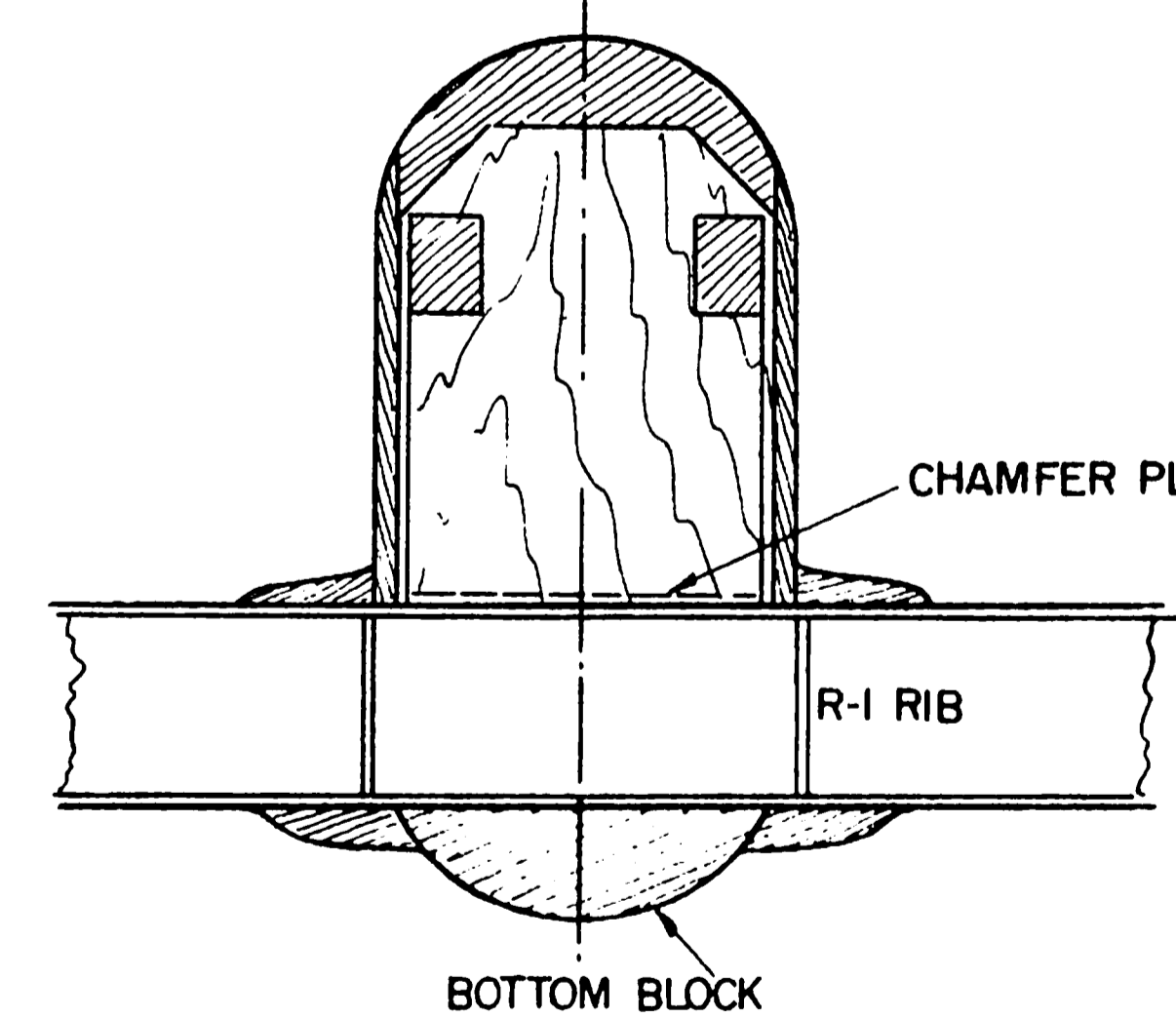
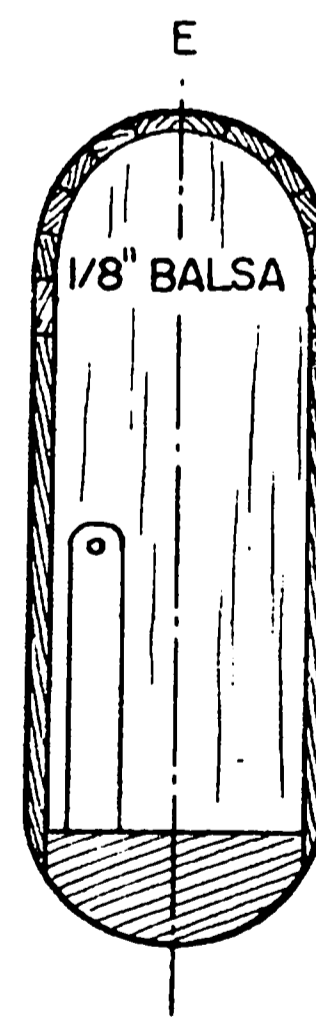
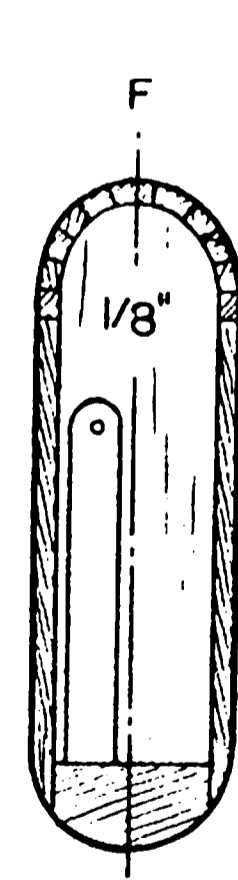
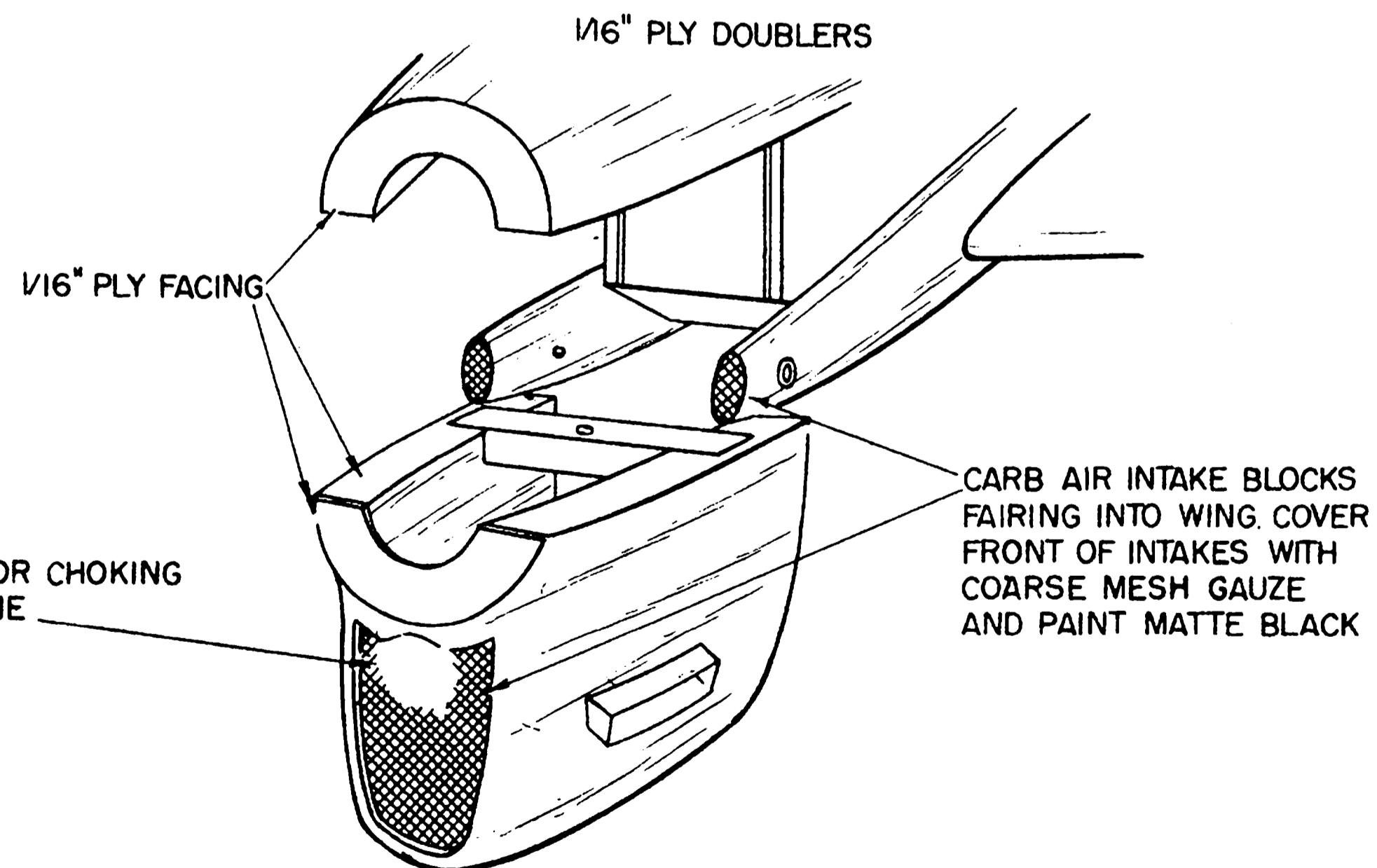
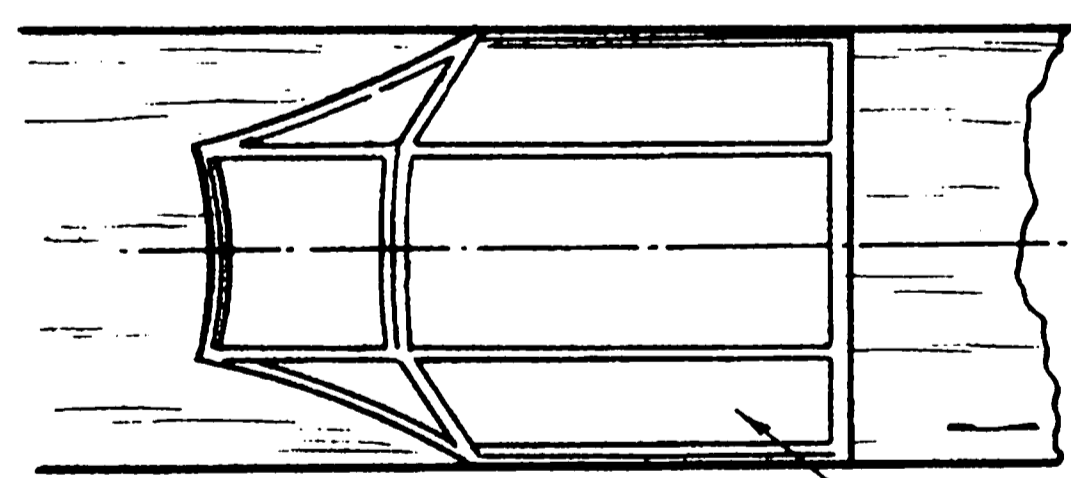
S. B. Swanston's

FAIRIEY FIREFLY F. R. MIK 1

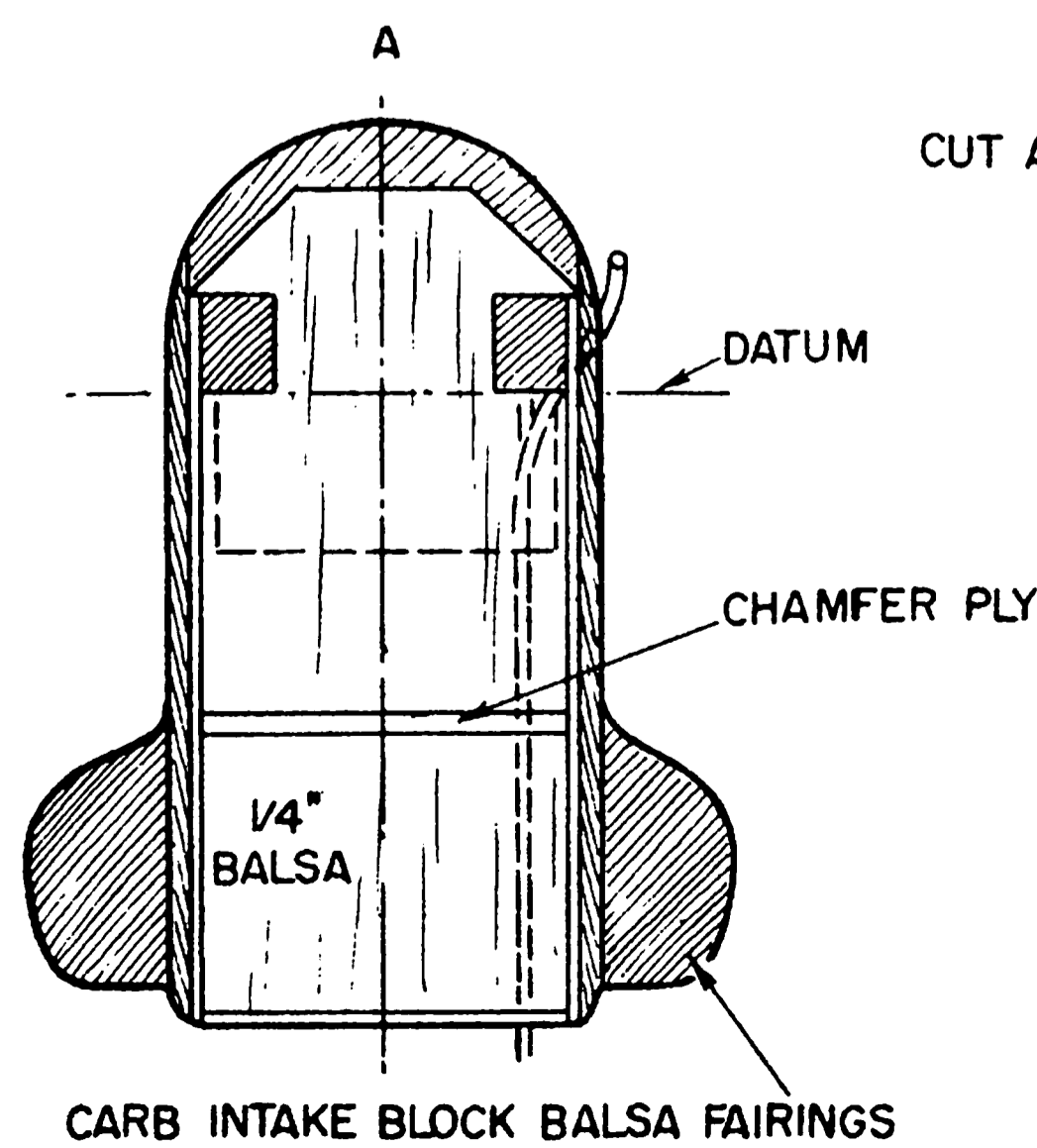
Spectacular Controline Project. Well Proportioned for flight.

FULL SIZE "TIMELY" PLANS AVAILABLE

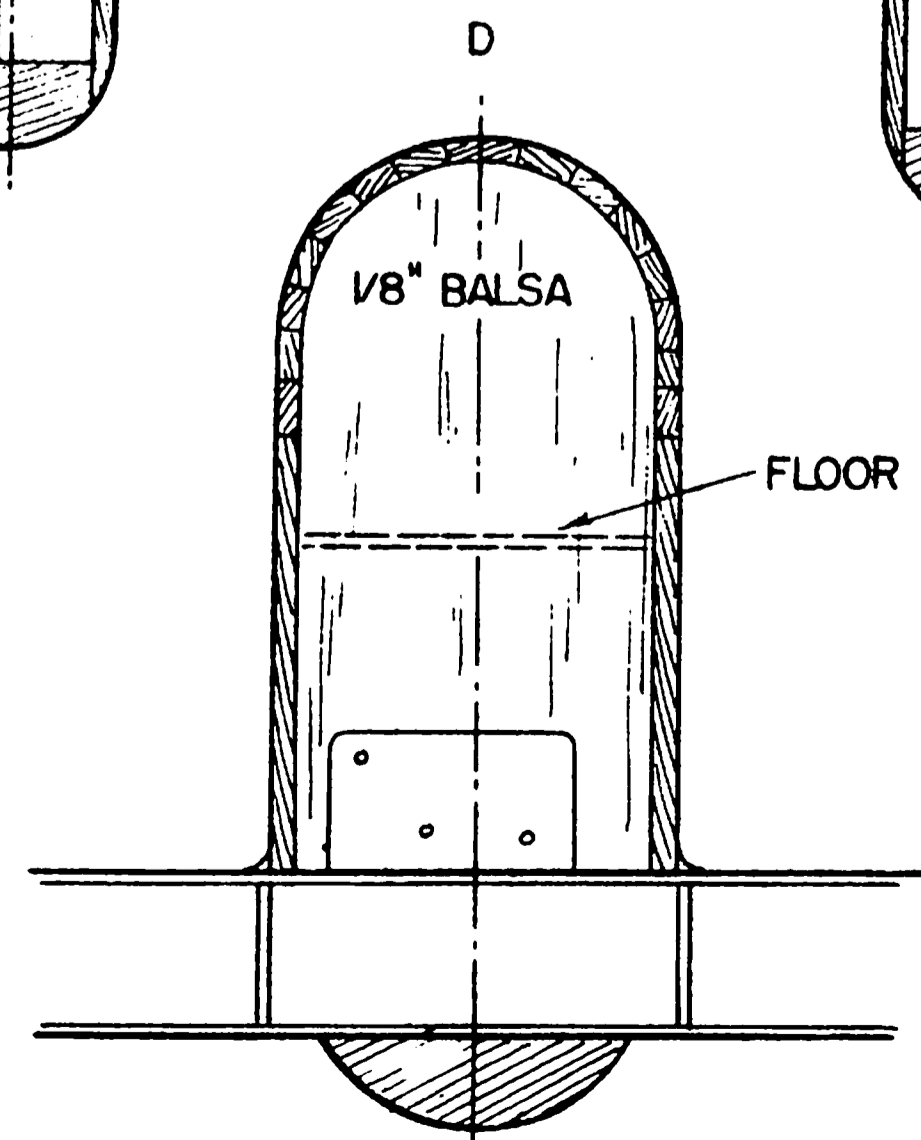
FACE OFF BLOCK, AND BOX IN COCKPIT WITH 1/16" Balsa



FLYING MODELS



ENGINE SIZE: .29 TO .45
SPAN: 50-1/4"
LENGTH: 35-1/2"
WEIGHT: 42 OZ.



MODEL SHOULD BE WELL SANDED. APPLY ONE COAT OF SEALER TO FUSELAGE AND TAILPLANE.
COVER WITH MED. WEIGHT TISSUE. COVER WING WITH LIGHTWEIGHT NYLON. APPLY TWO
COATS OF CLEAR AND TWO COATS OF COLOR.

