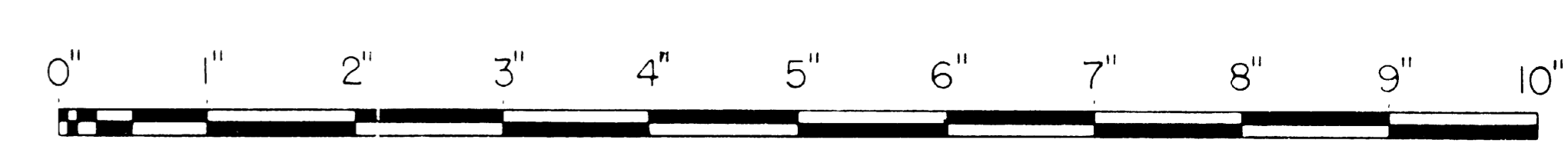
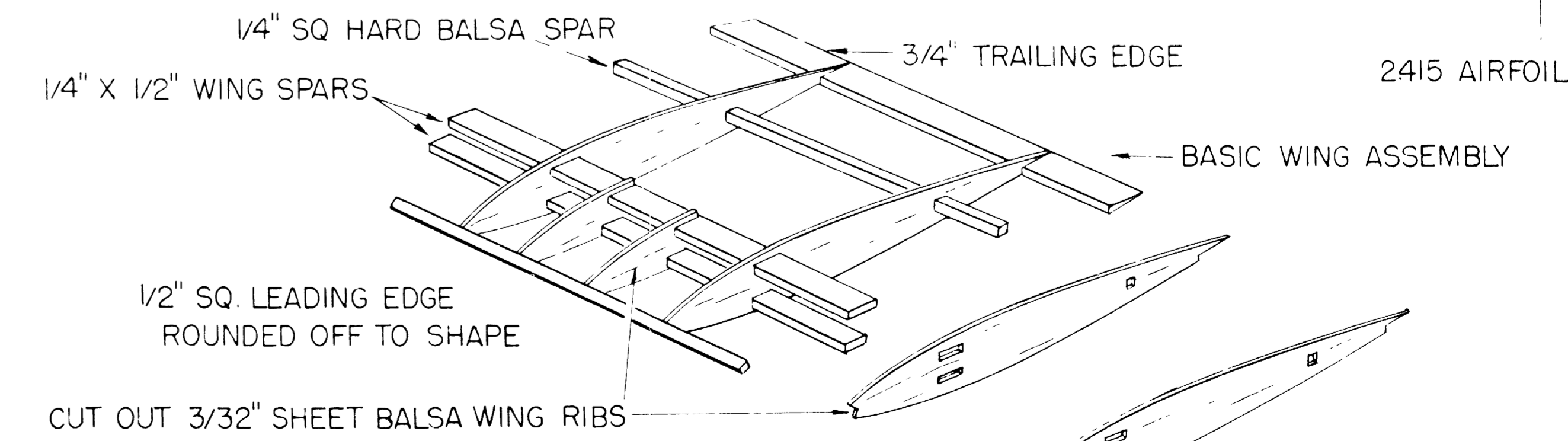
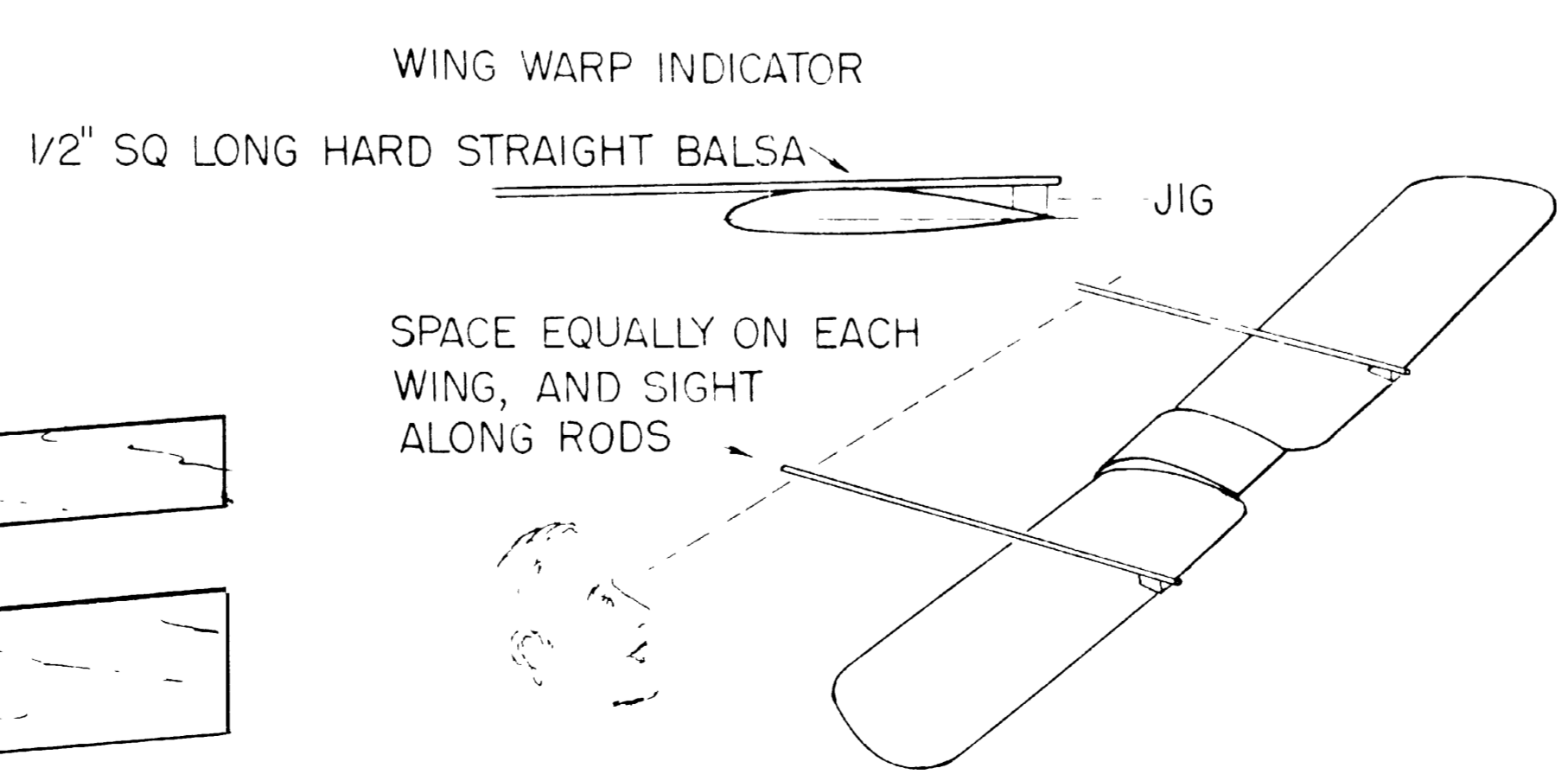
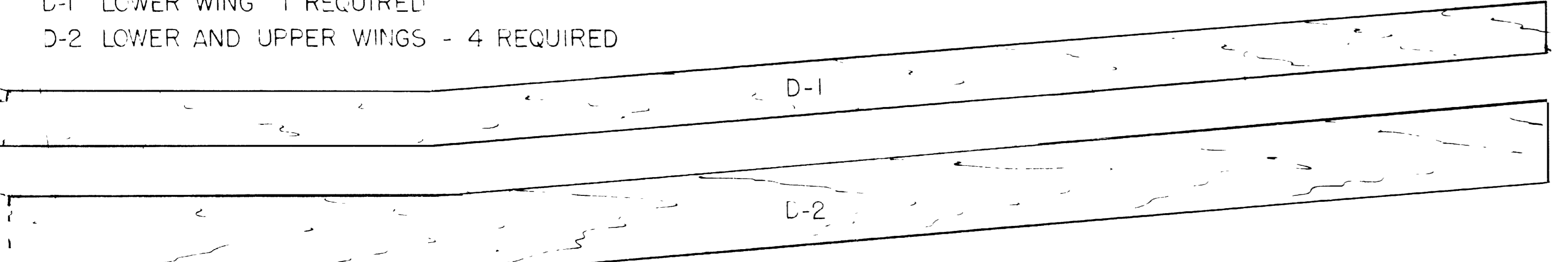
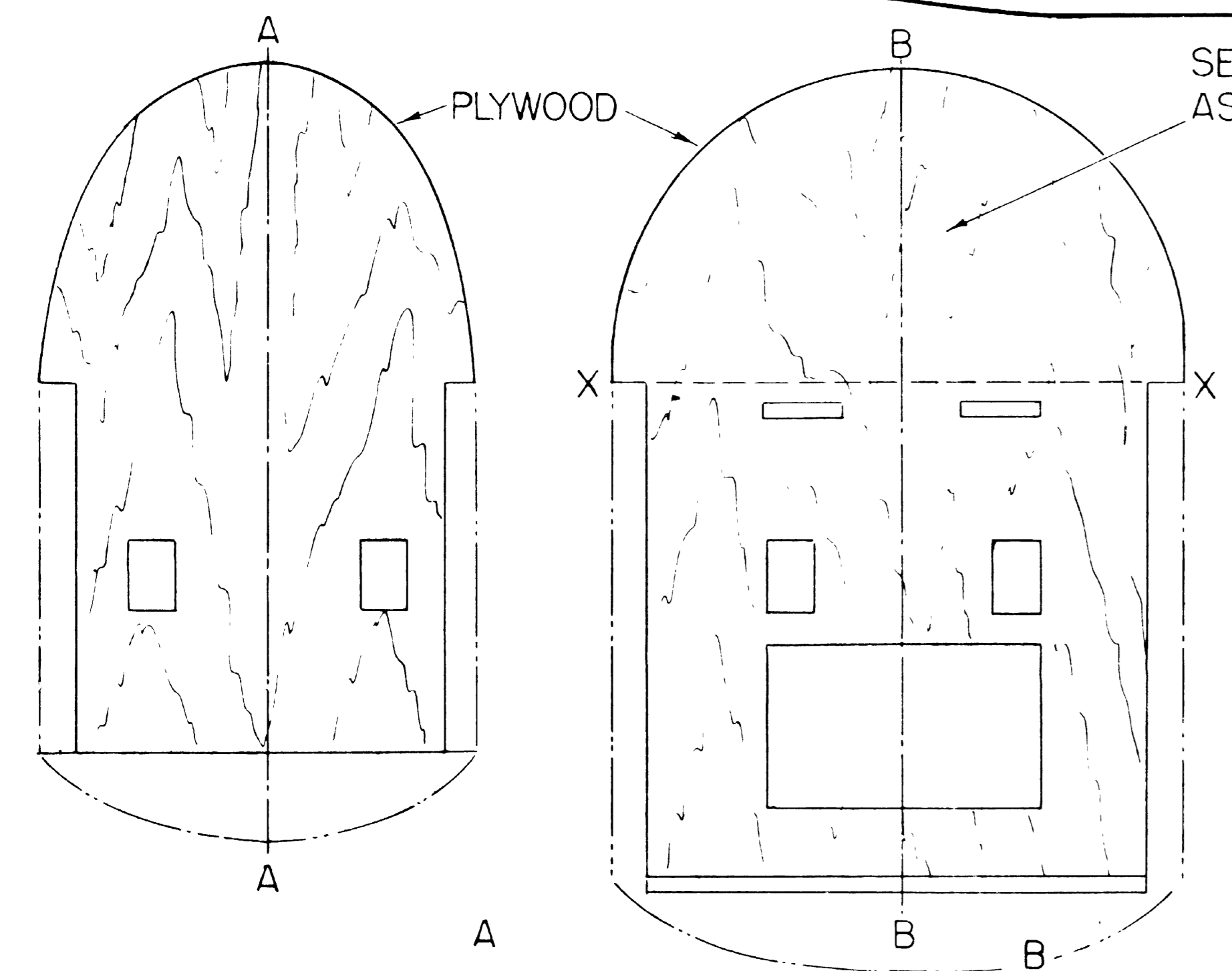
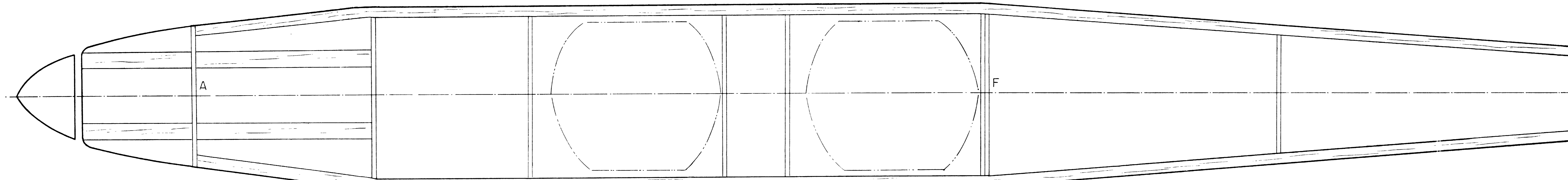


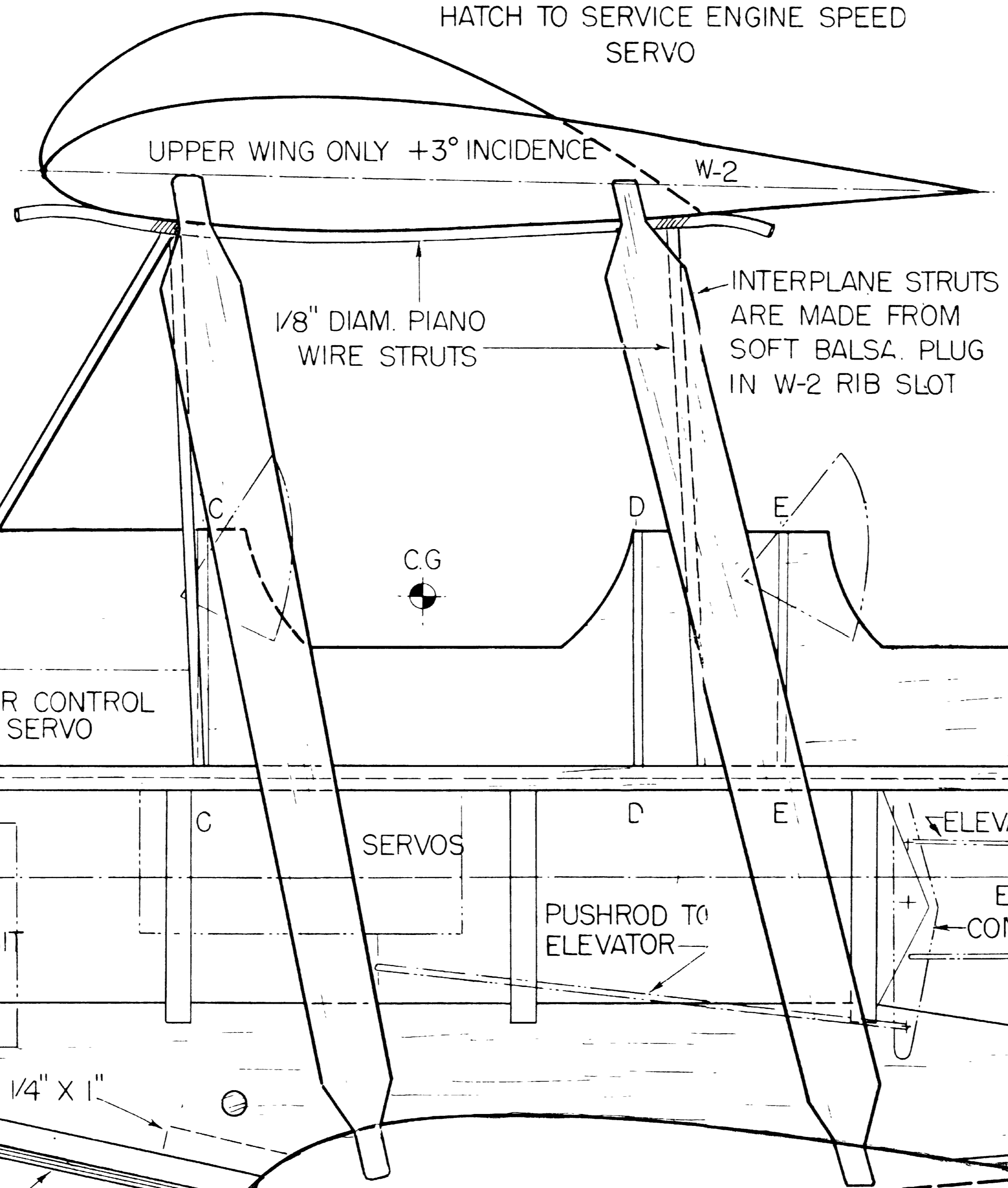
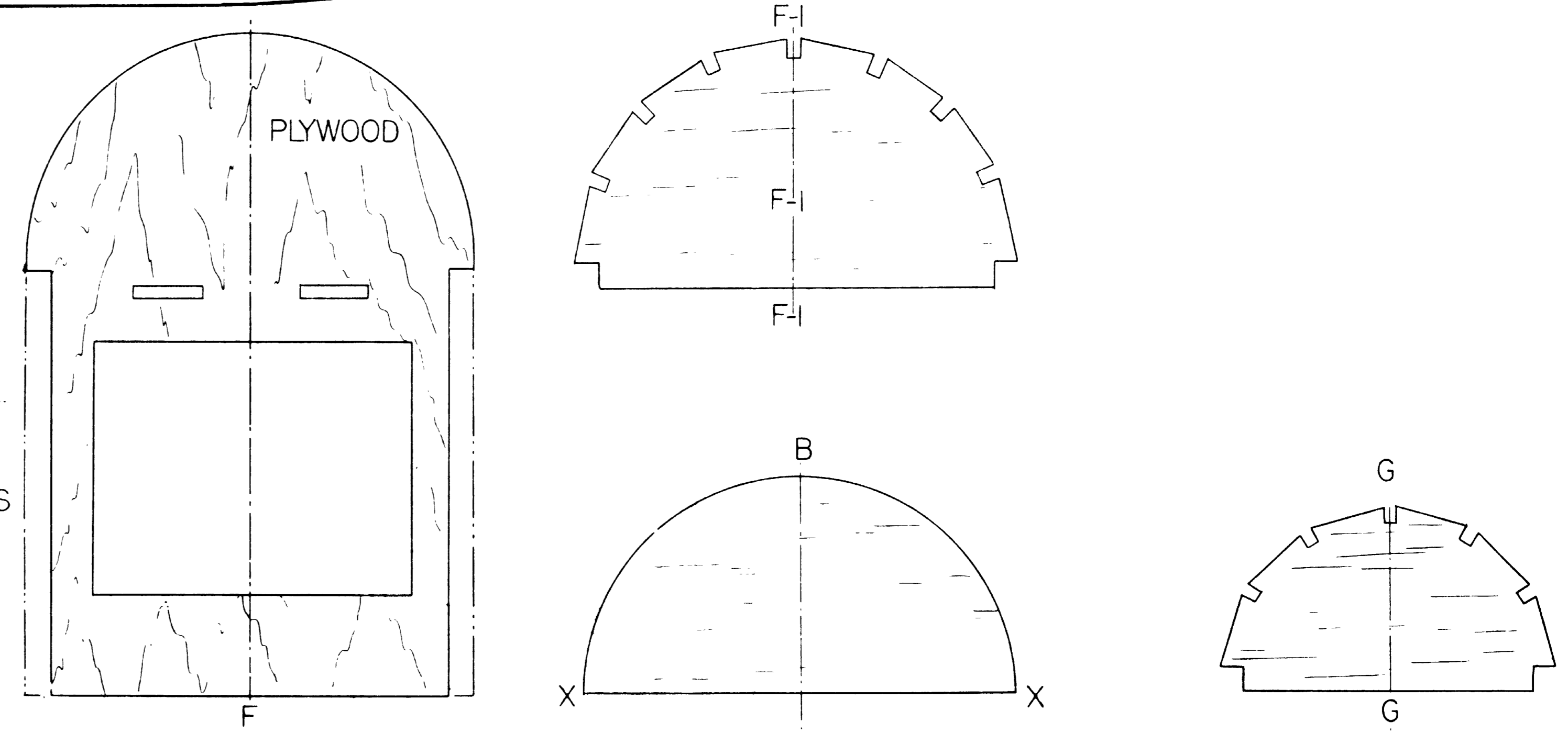
DIHEDRAL BRACE - 3/16" OR 1/8" PLYWOOD - 5 PLY
 D-1 LOWER WING 1 REQUIRED
 D-2 LOWER AND UPPER WINGS - 4 REQUIRED





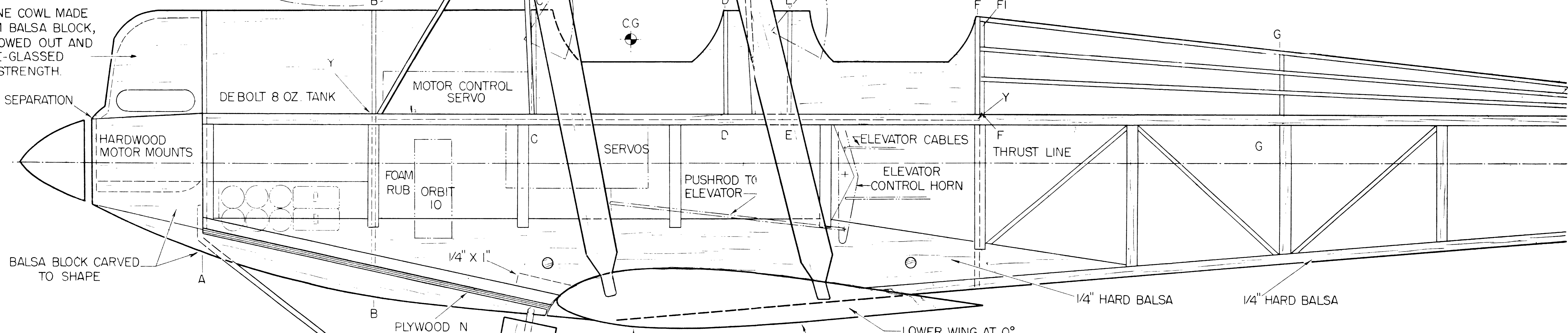
SECTIONS C, D, E ARE SAME SIZE AS SECTION B, CUT ALONG X-X

TOP OF FUSELAGE FROM A TO F IS COVERED WITH 3/32" SOFT SHEET CUT-OUT FOR COCKPITS AND ACCESS HATCH TO SERVICE ENGINE SPEED SERVO

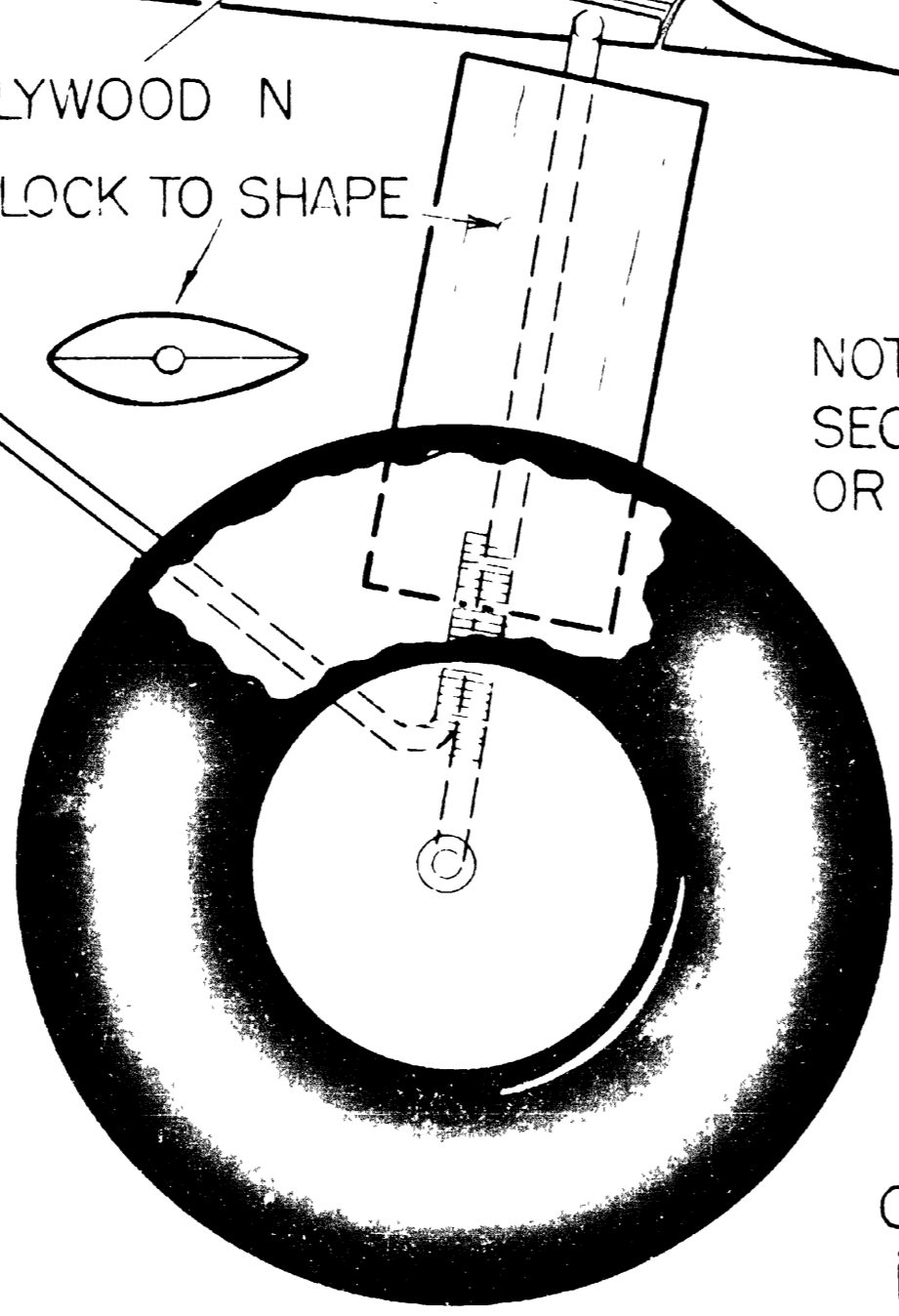
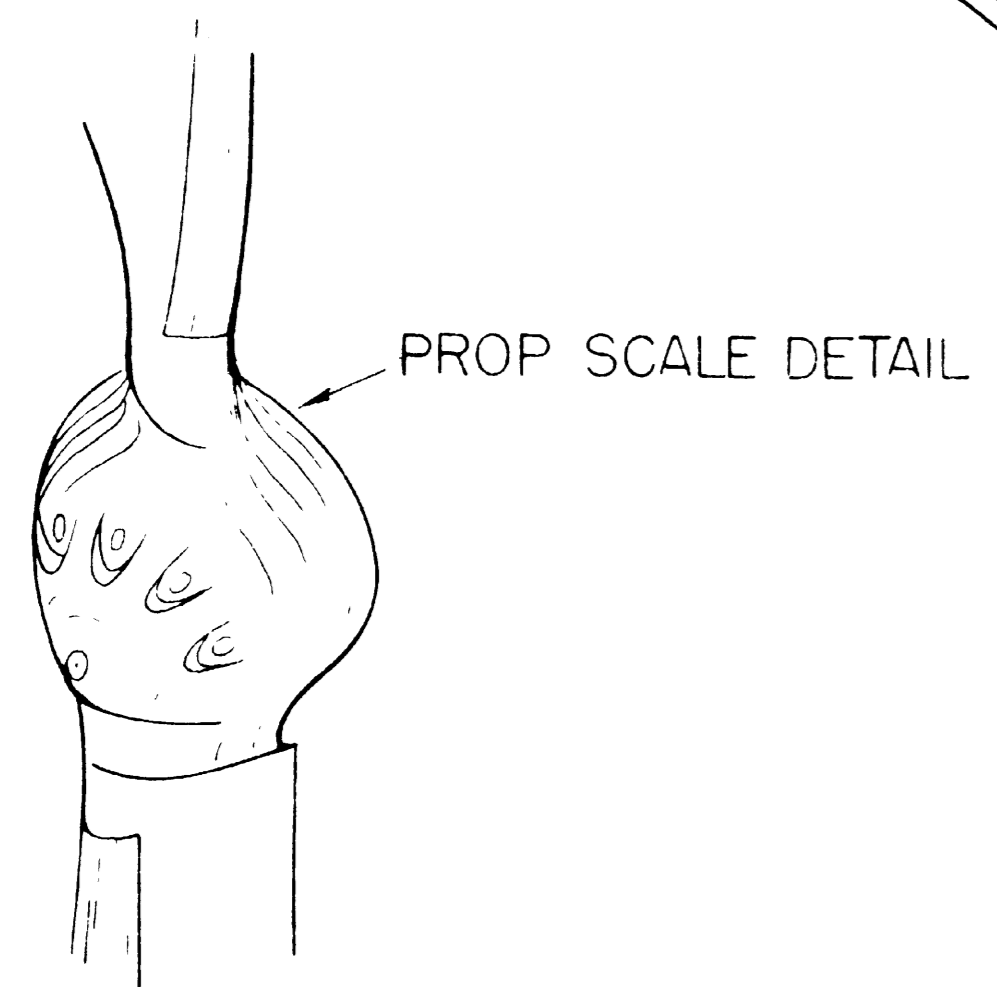


ENGINE COWL MADE FROM Balsa BLOCK, HOLLOWED OUT AND FIBRE-GLASSED FOR STRENGTH.

COWL SEPARATION

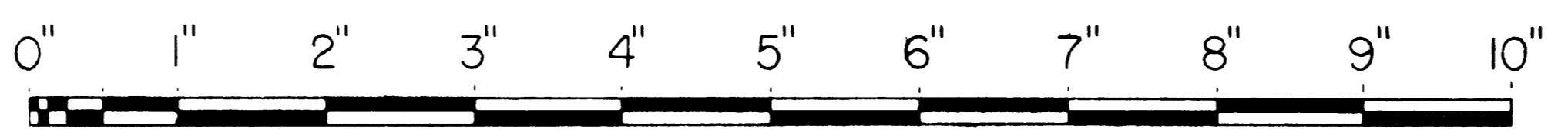
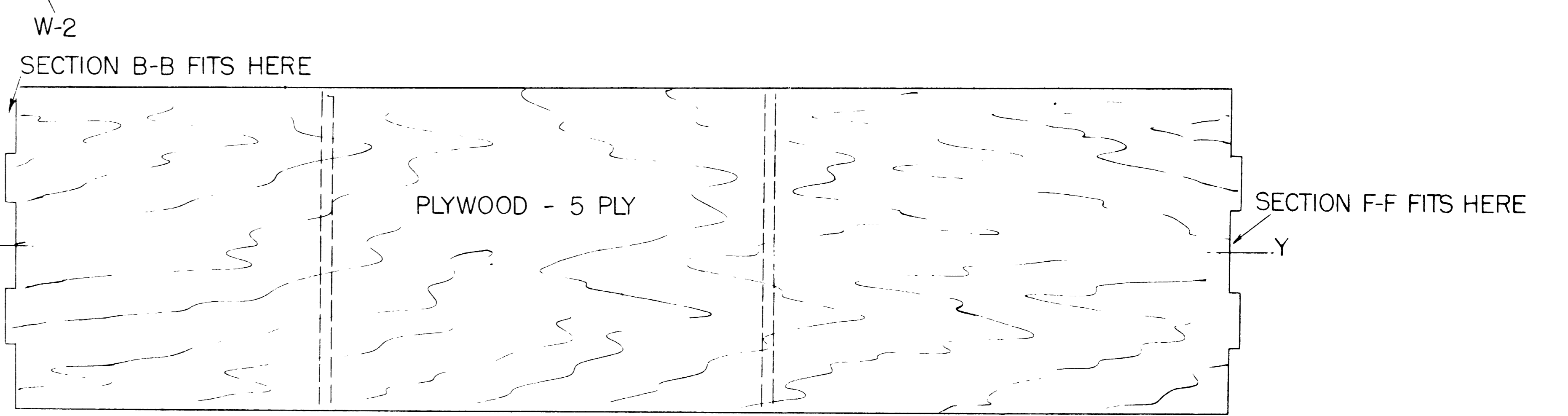


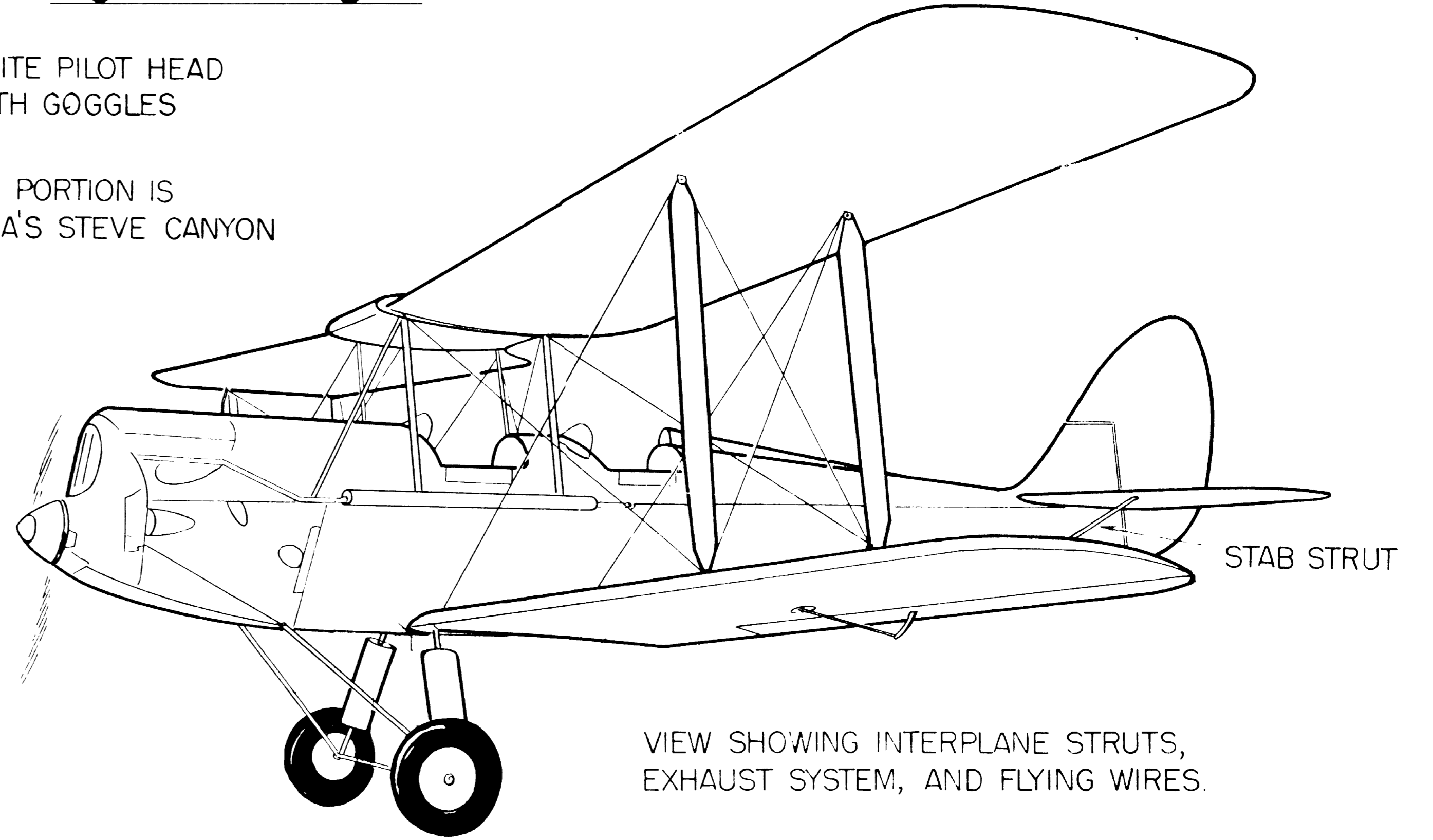
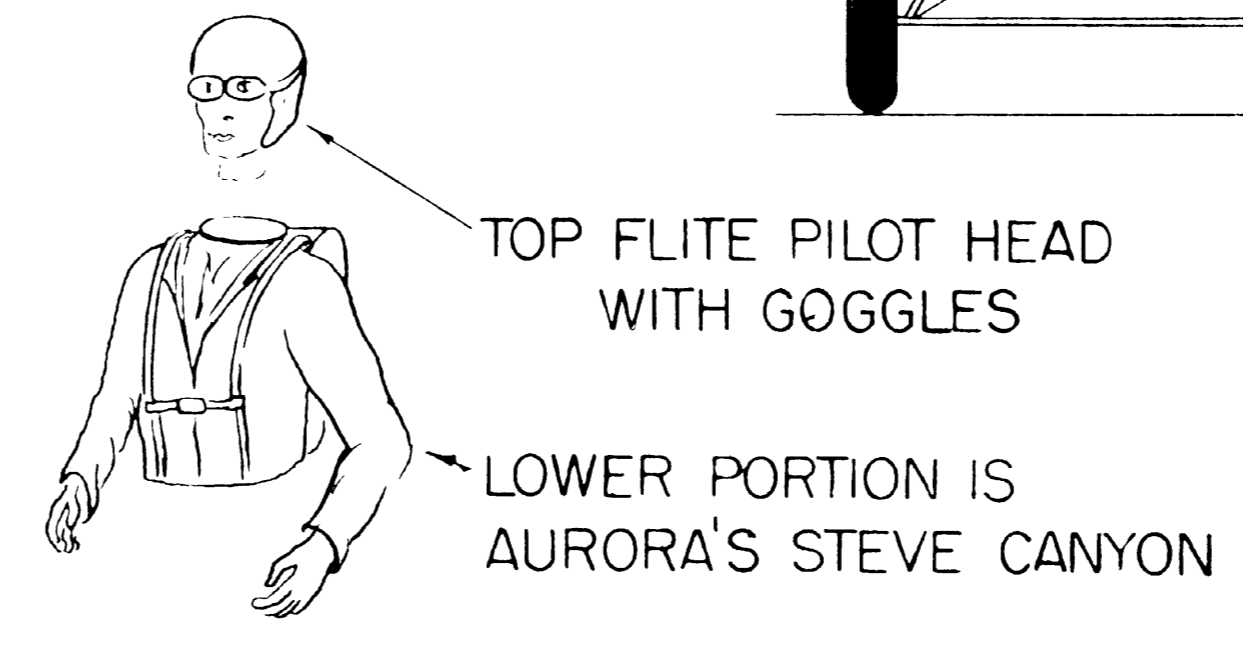
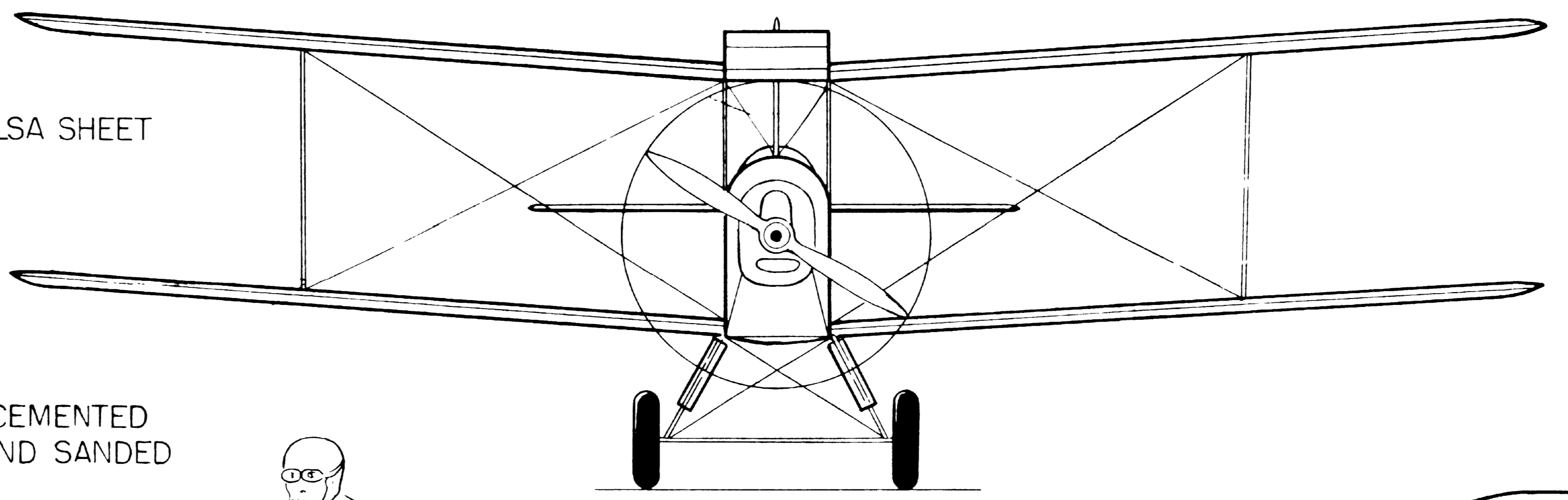
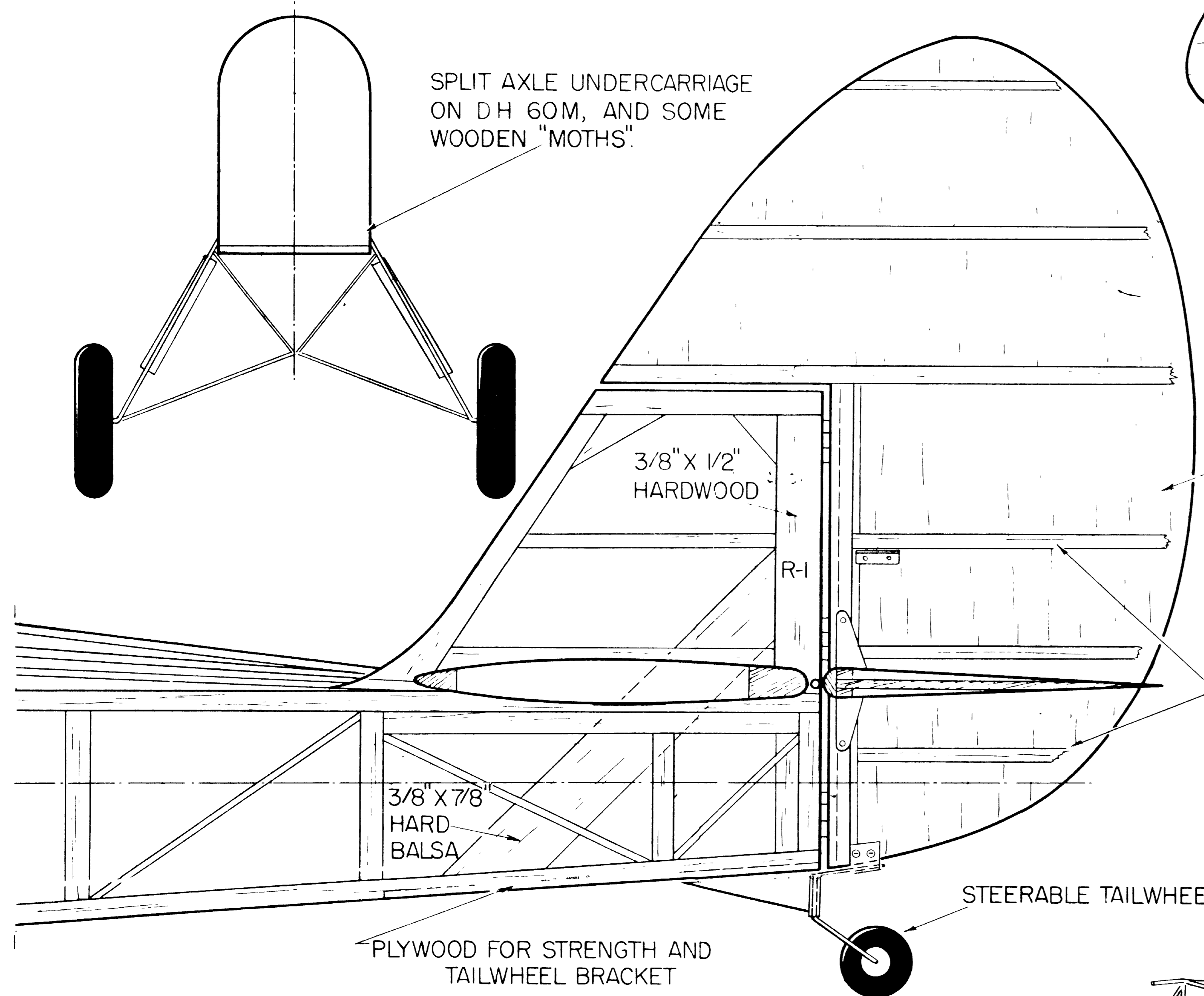
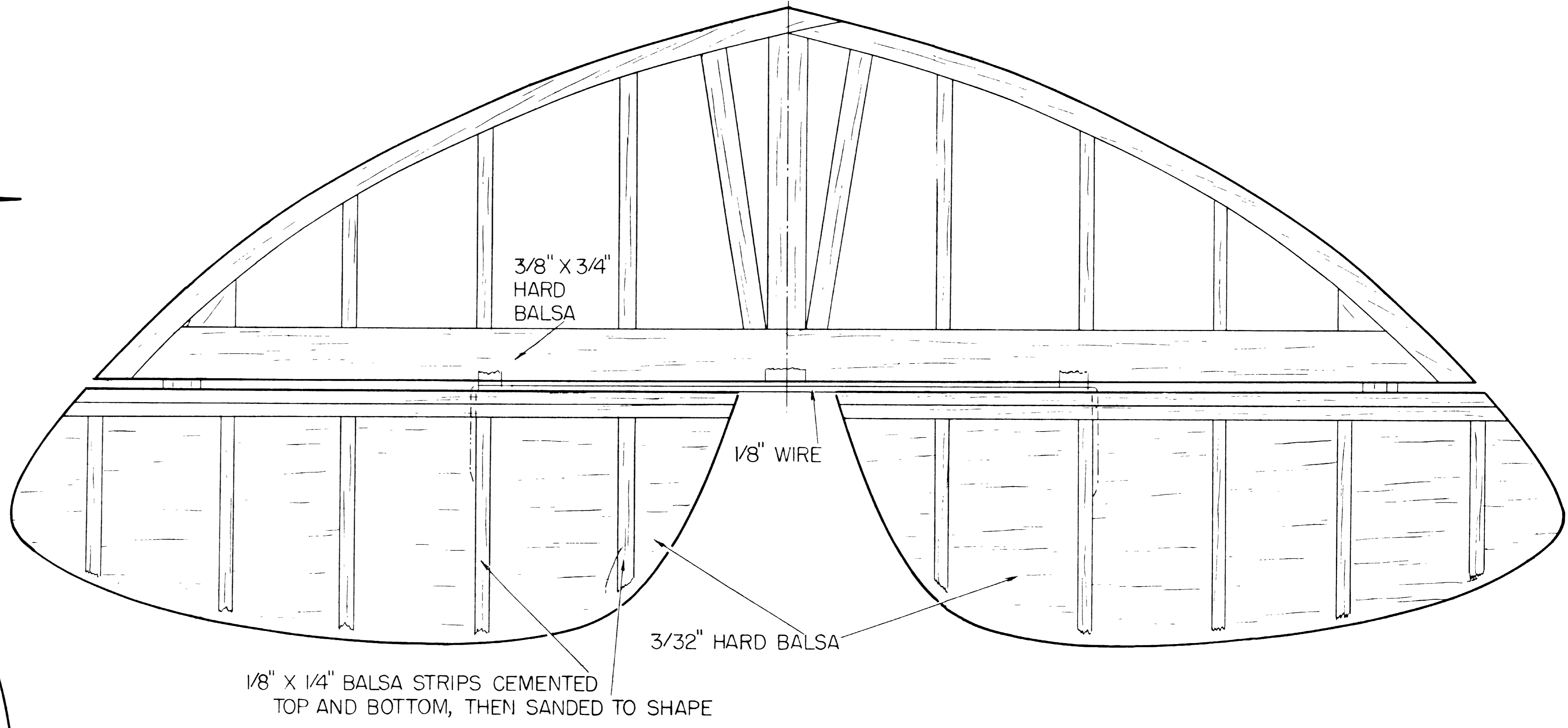
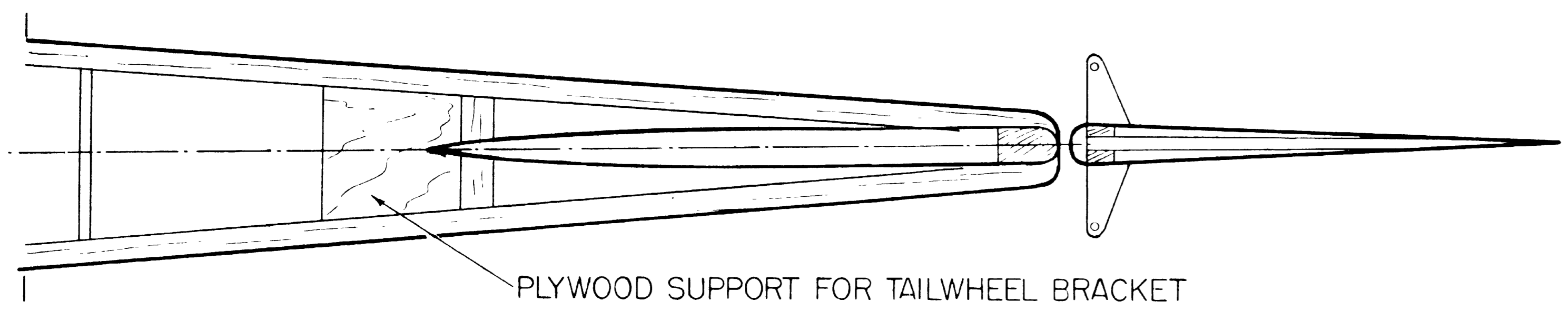
Balsa BLOCK CARVED TO SHAPE



NOTE: LANDING GEAR MAY BE SECURED TO THE FUSELAGE, OR BUILT AS A KNOCK-OFF TYPE IF DESIRED.

4-1/2" SCALE WHEELS





A.S.I AND PITOT ON FRONT STARBOARD INTERPLANE STRUT

