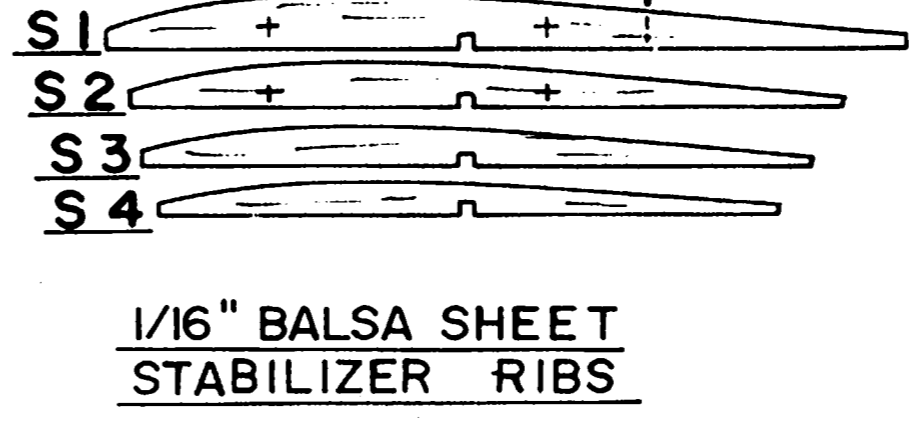
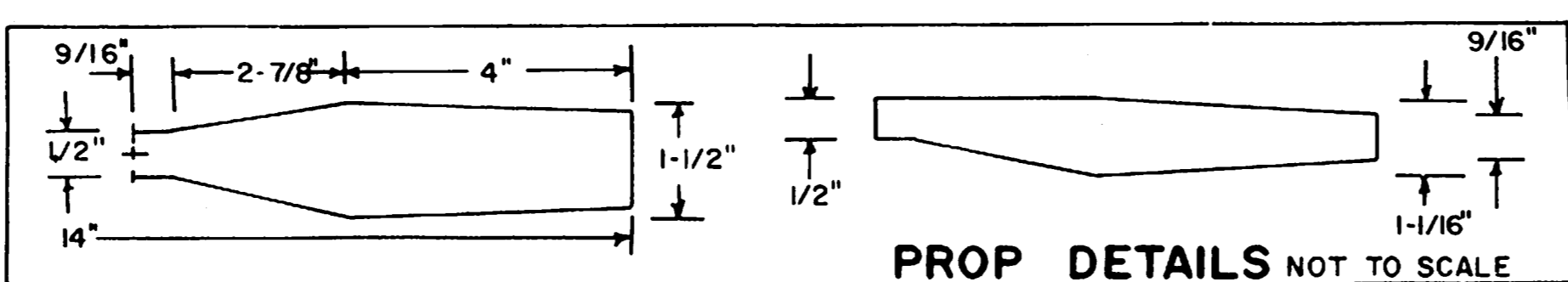
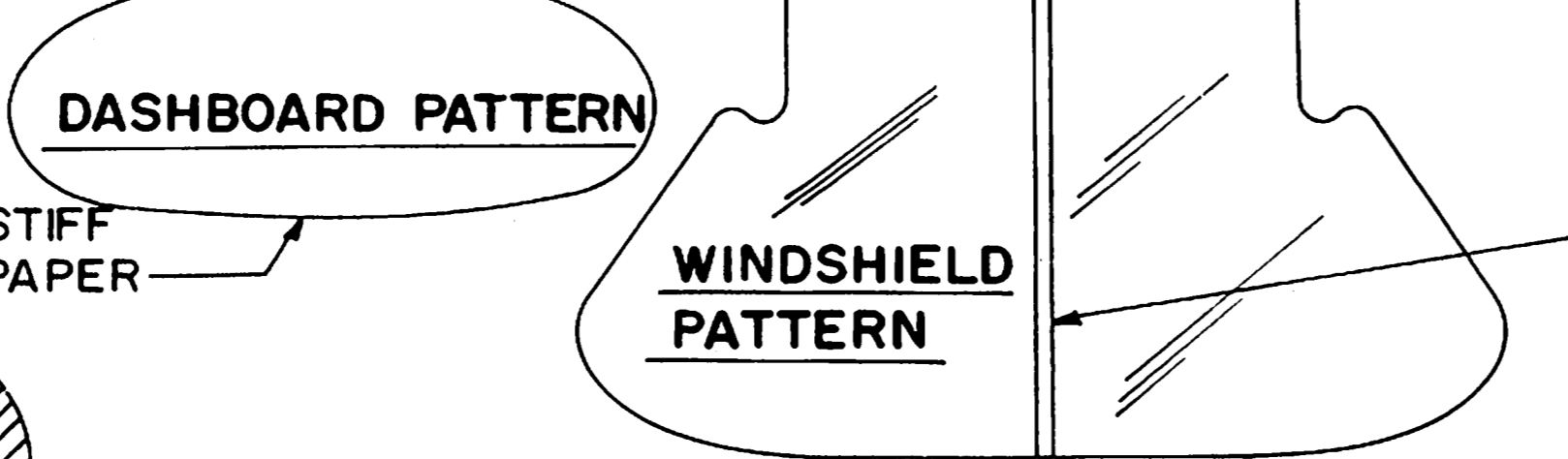
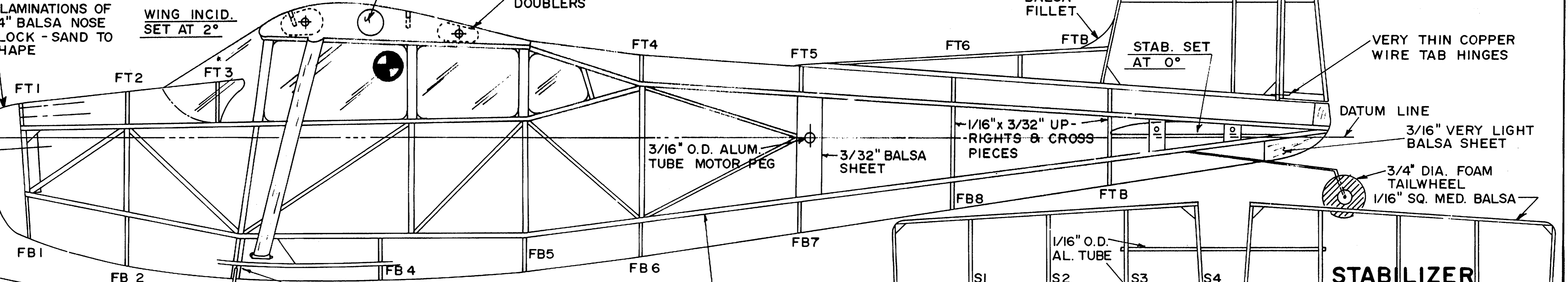
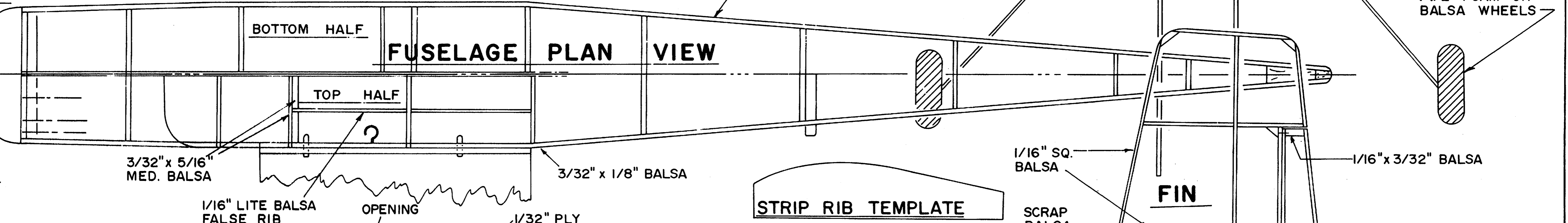
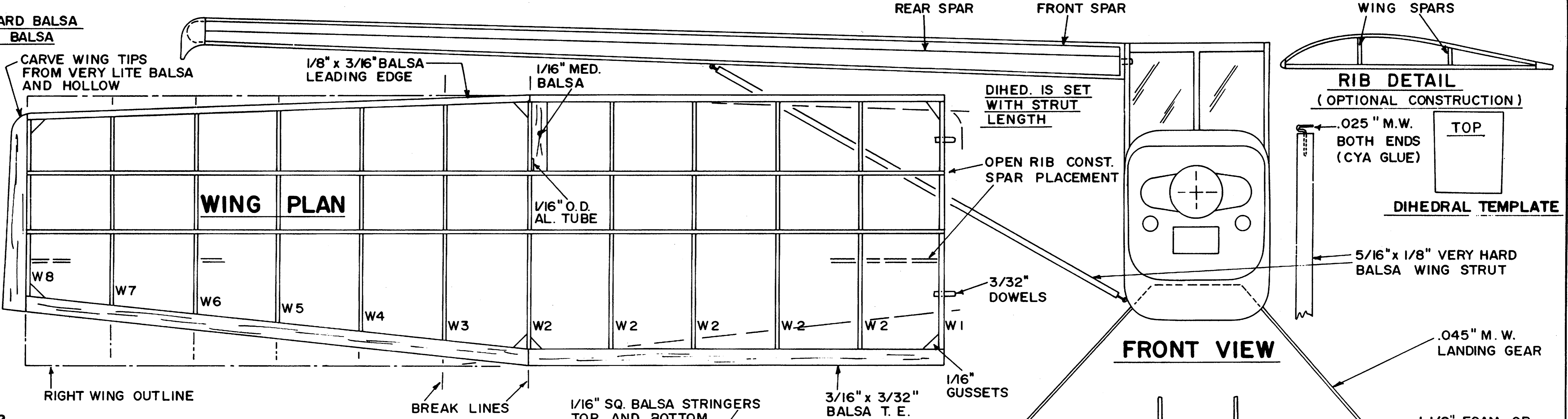
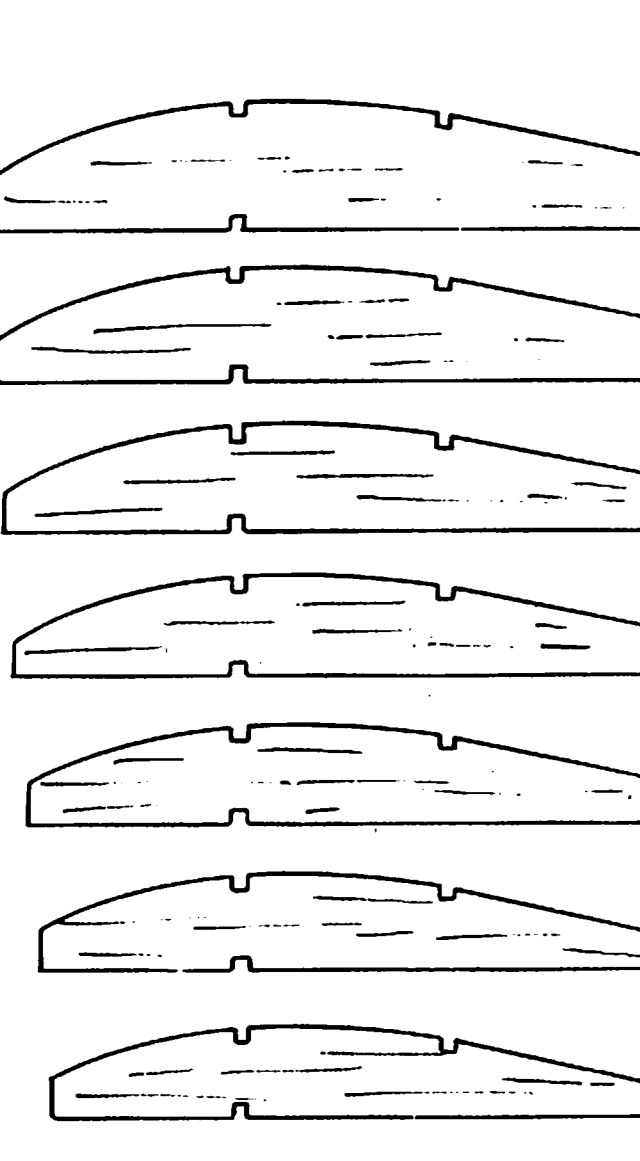
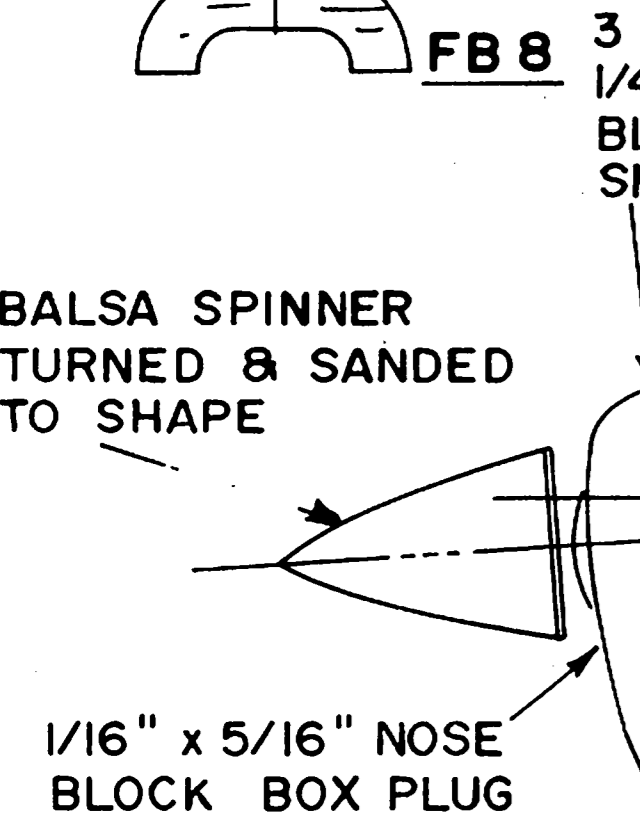
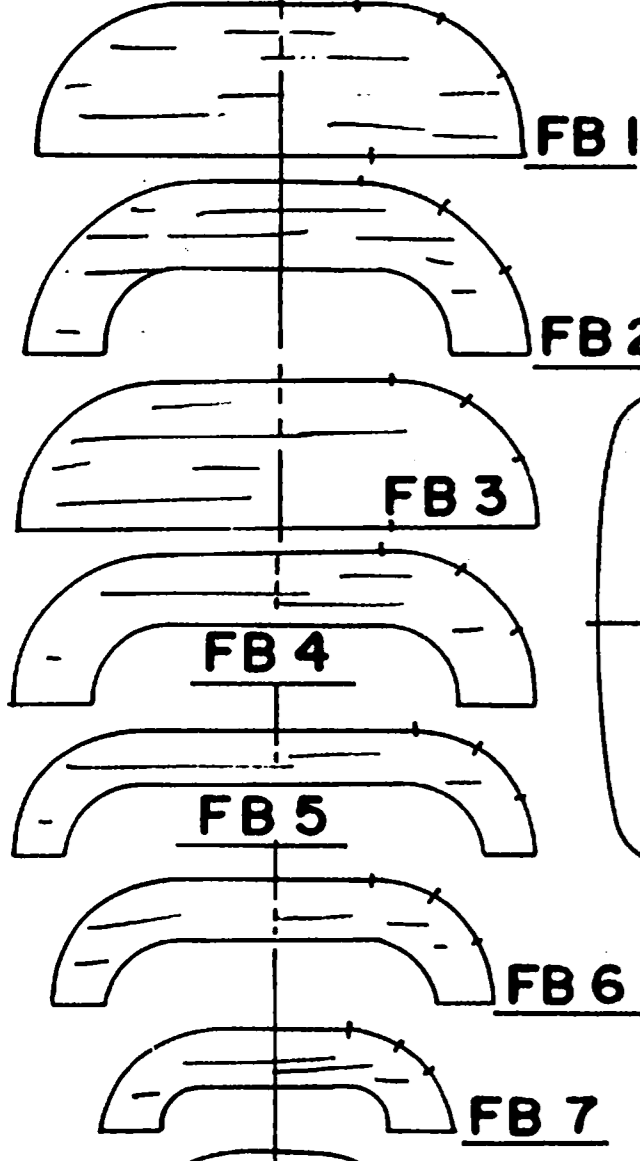
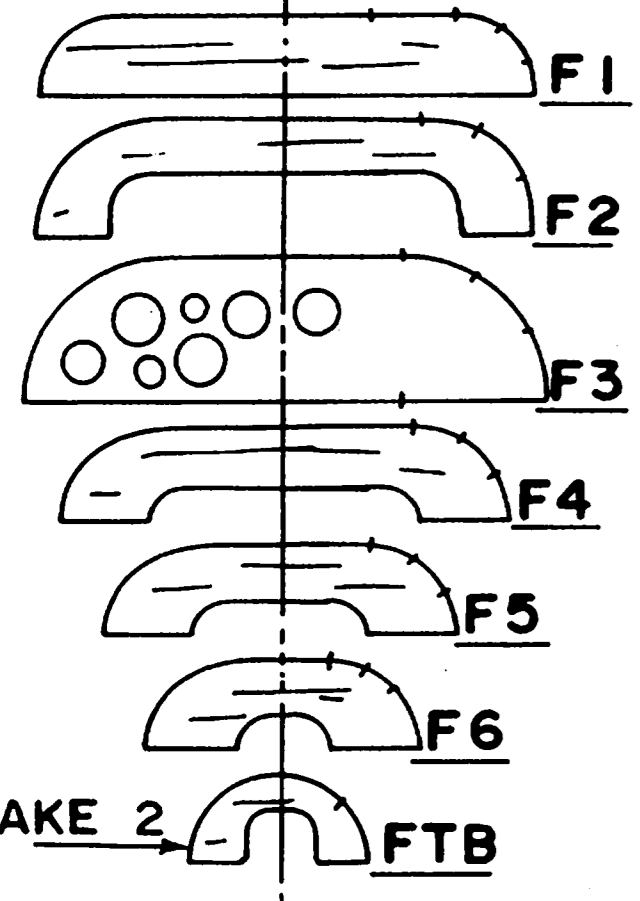


NOTE: FORMER FB 3 HARD BALSA  
ALL OTHERS ARE LITE BALSA  
(1/16" BALSA SHEET)

CARVE WING TIPS  
FROM VERY LITE BALSA  
AND HOLLOW



**FLYING MODELS**  
**CESSNA 180**  
JUMBO SEMI-SCALE RUBBER POWERED MODEL  
DESIGNED & DRAWN BY ENRIQUE AMAYA  
INKED PLAN BY JOE DEMARCO