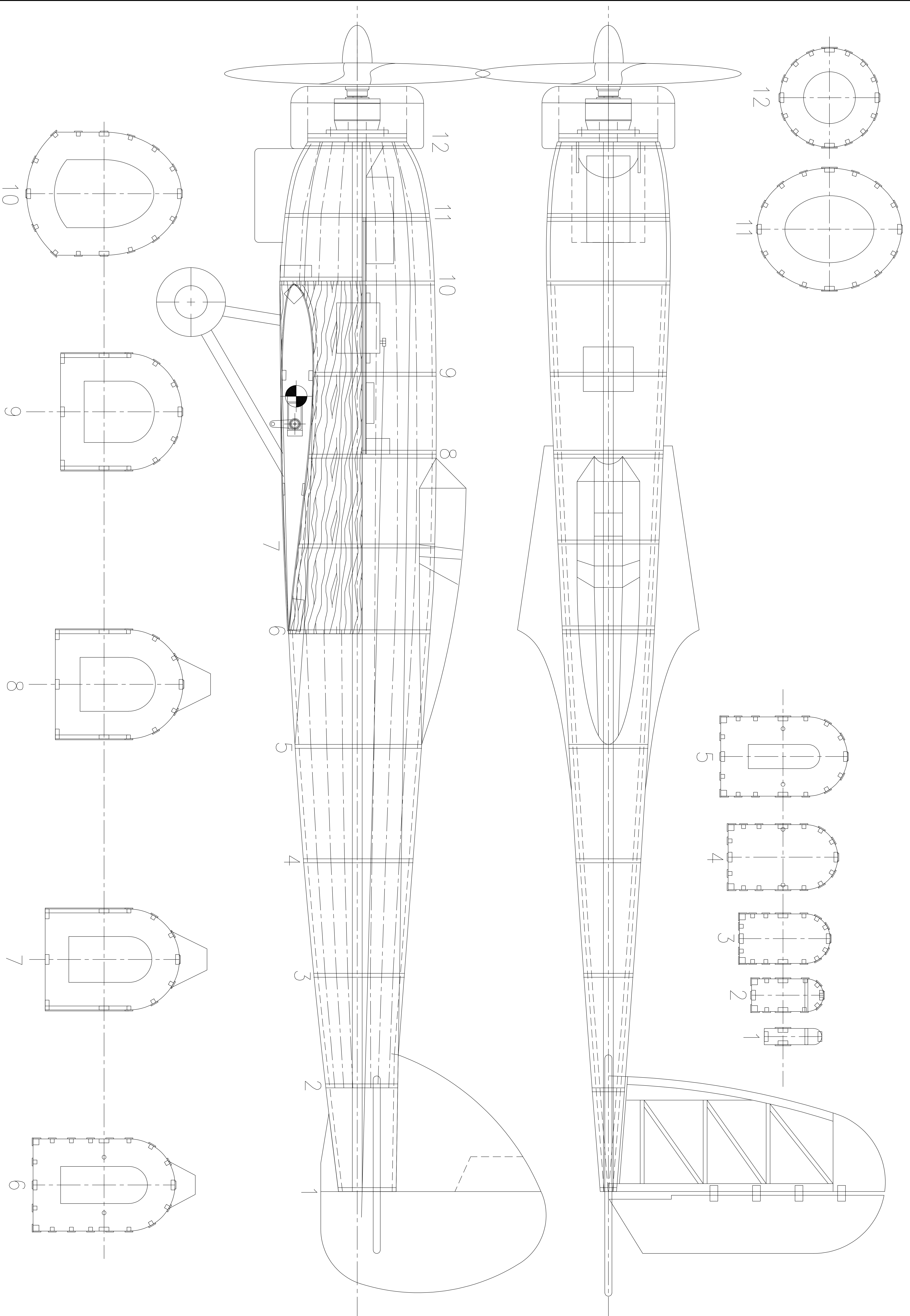


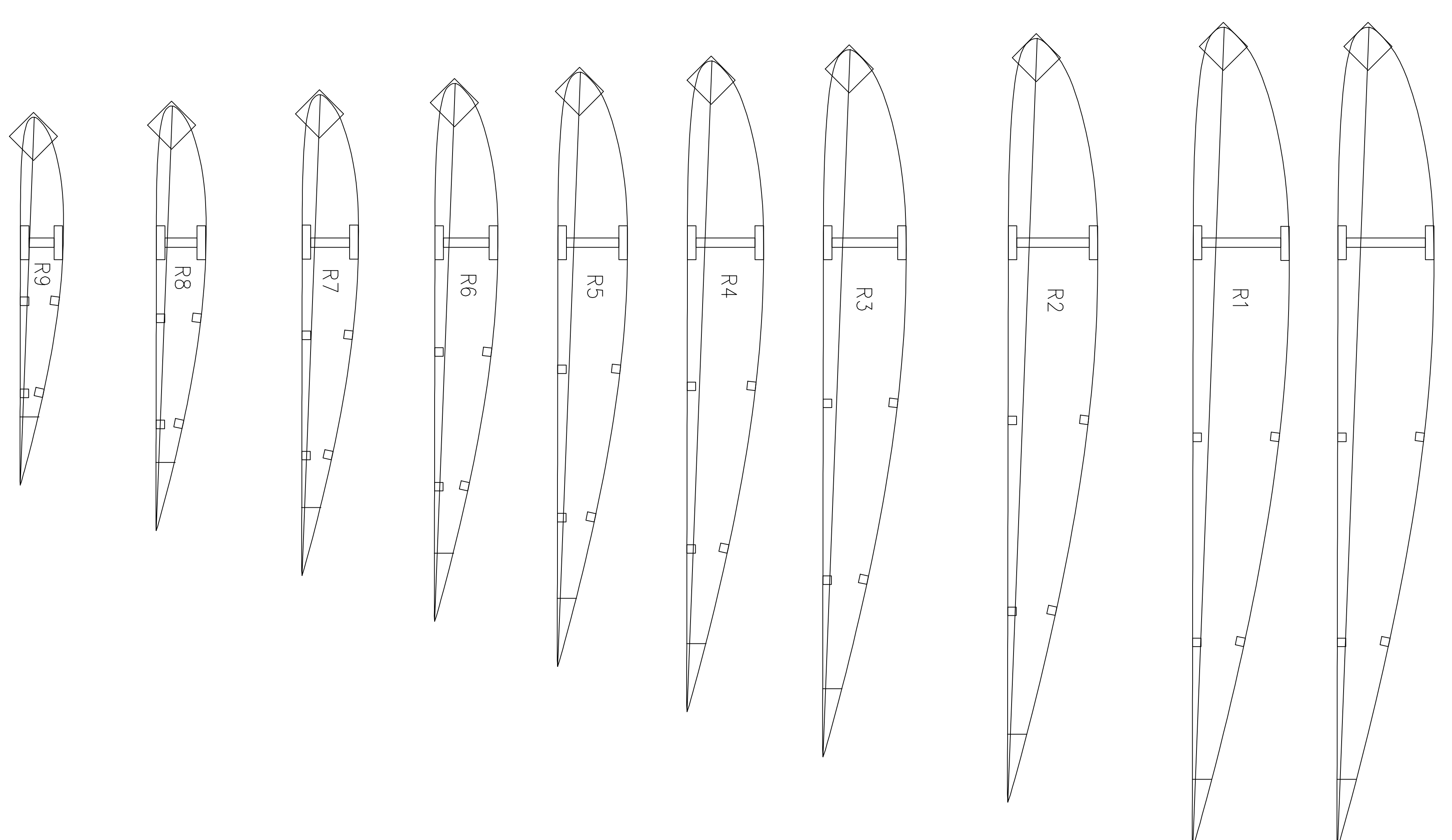
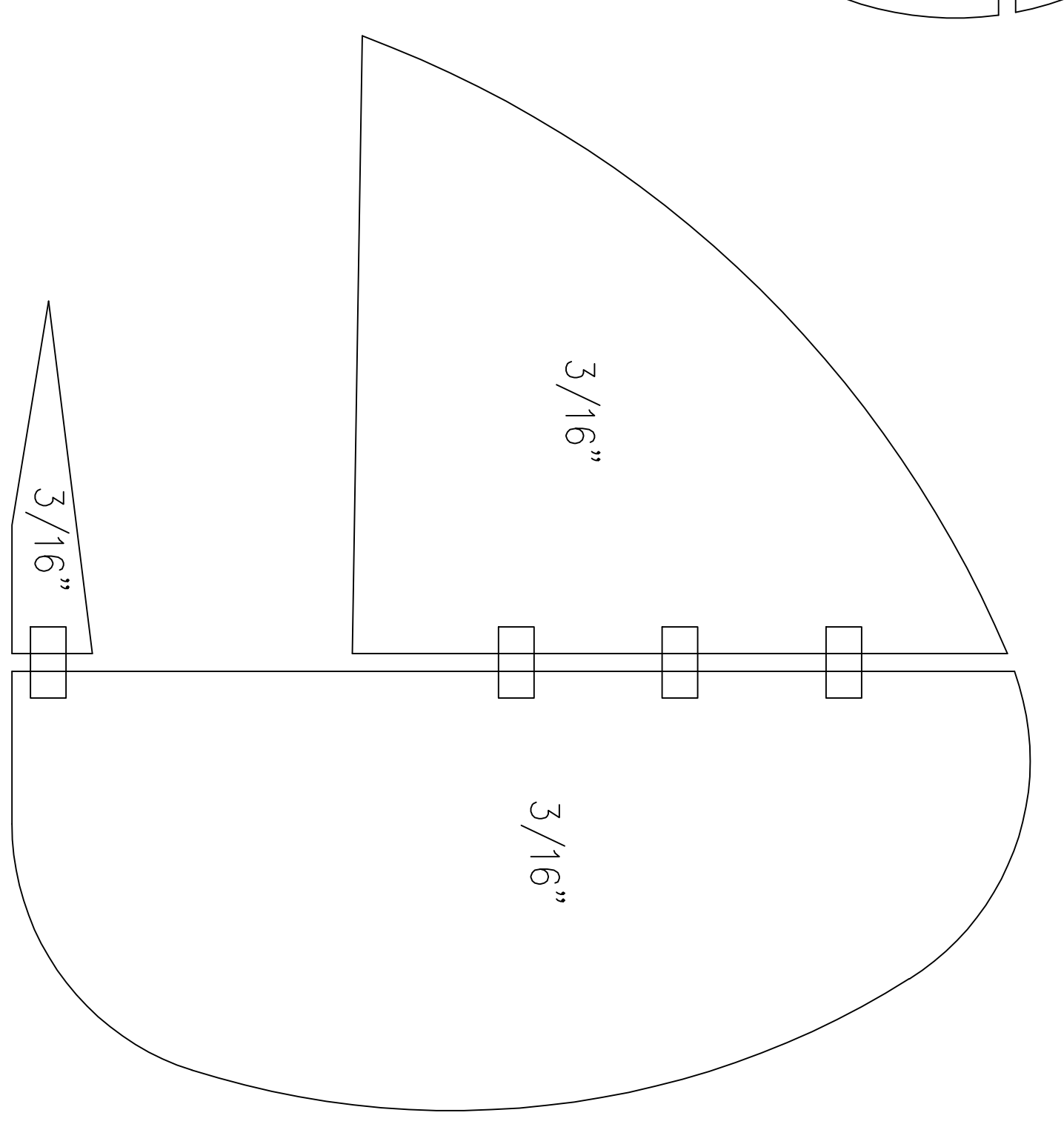
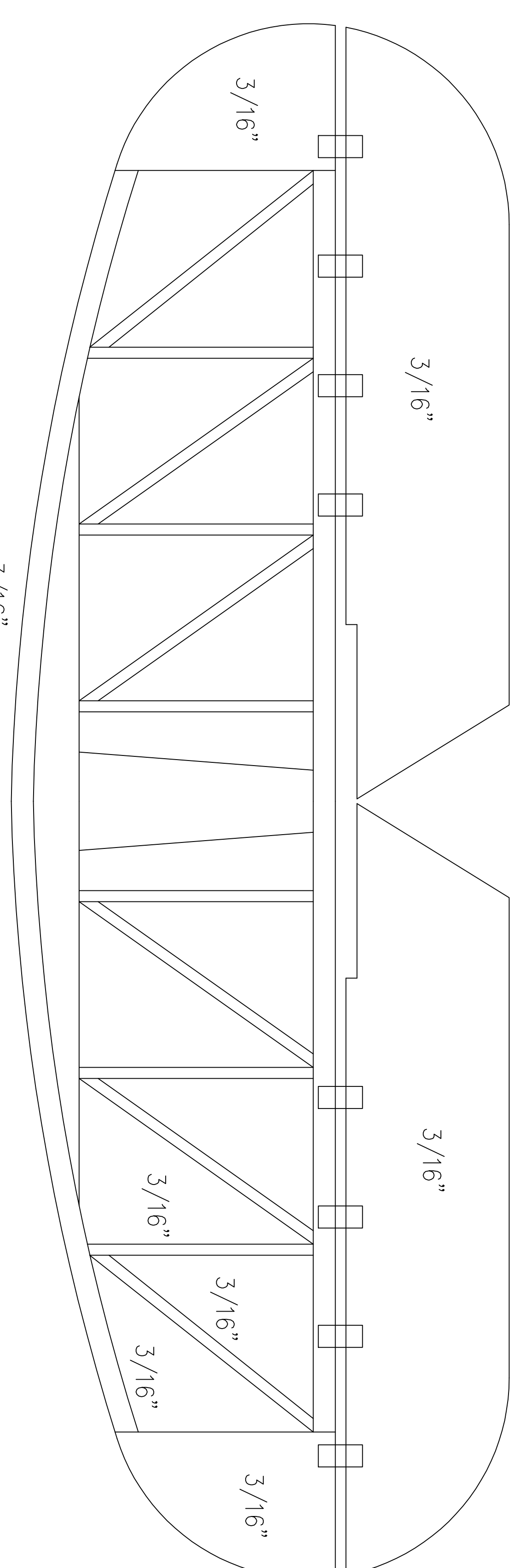
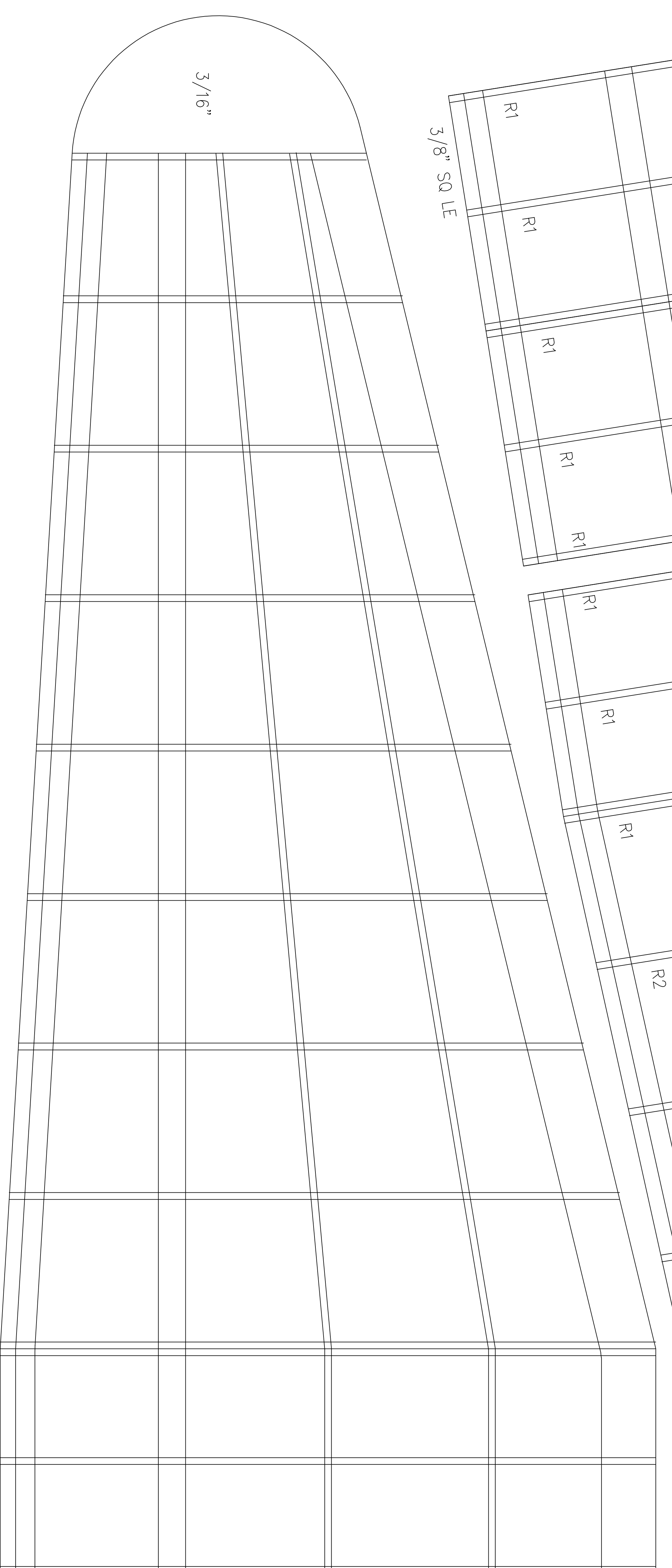
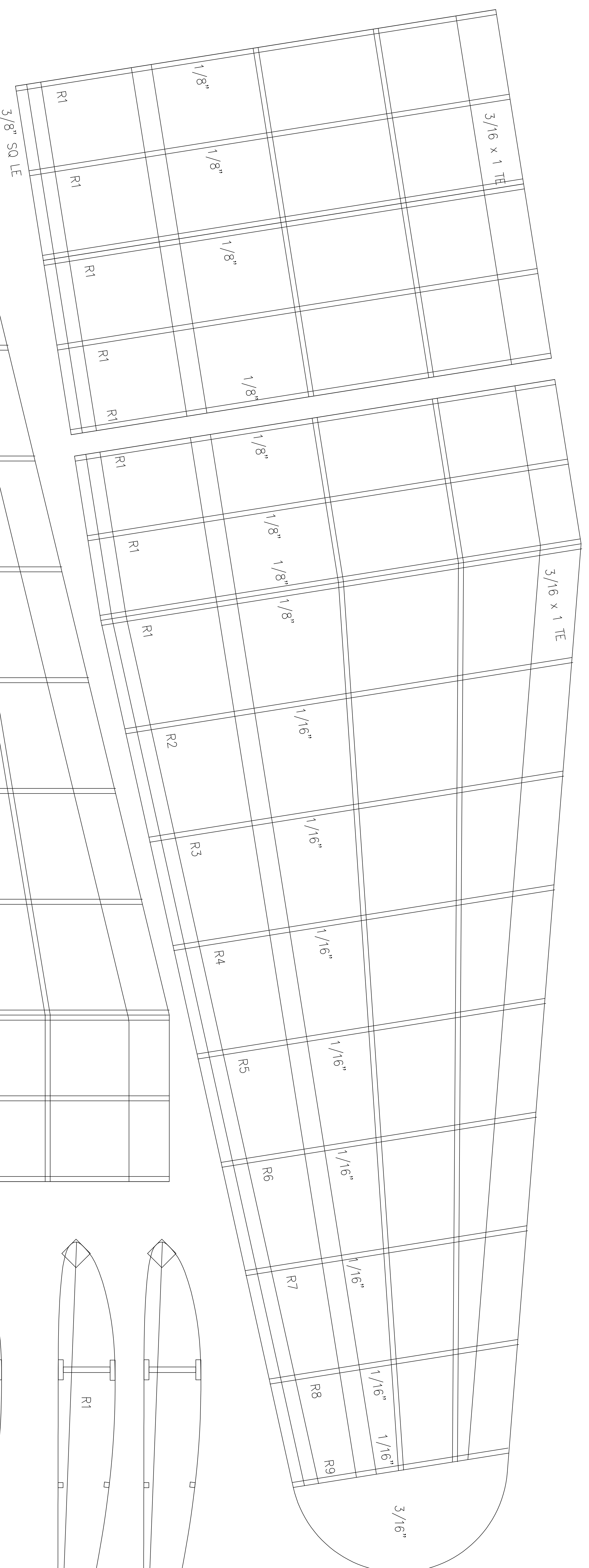
**Bristol 138A**

3-View  
Wing Span - 66"  
Wing Area - 564 sq in  
Length - 40 1/2"  
Est. Weight - 32 oz / Wing Loading = 8.1 oz/sq ft  
1/12 Scale Adapted by Old Pilot  
Page 3 of 3



**Bristol 1384**

Fuselage  
 Wing Span - 66"  
 Wing Area - 564 sq in  
 Length - 40 1/2"  
 Est. Weight - 32 oz / Wing Loading = 8.1 oz/sq ft  
 1/12 Scale Adapted by Old Pilot



**Bristol 138A**

**Wings and Tail Feathers**

Wing Span - 66"  
 Wing Area - 564 sq in  
 Length - 40 1/2"  
 Est Weight - 32 oz Wing Loading = 8.1 oz/sq ft  
 1/12 Scale Adapted by Old Pilot