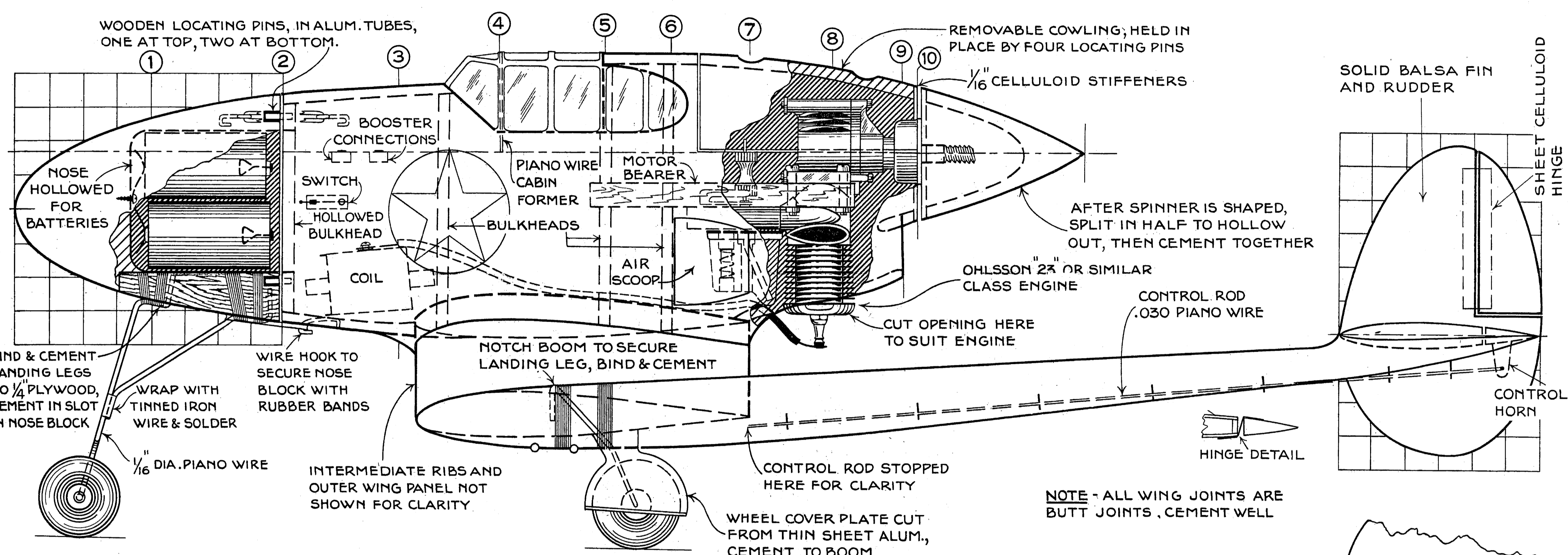
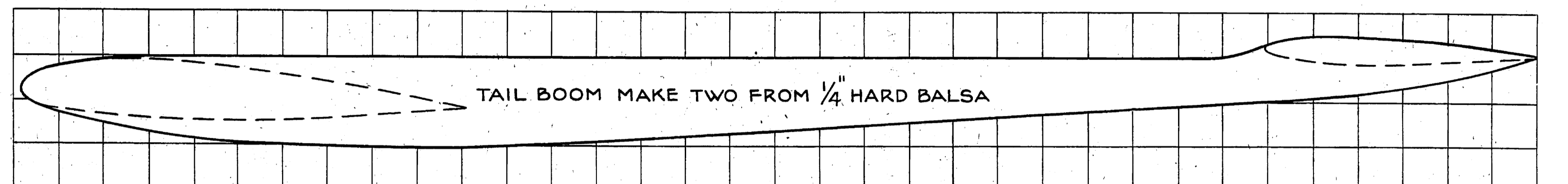
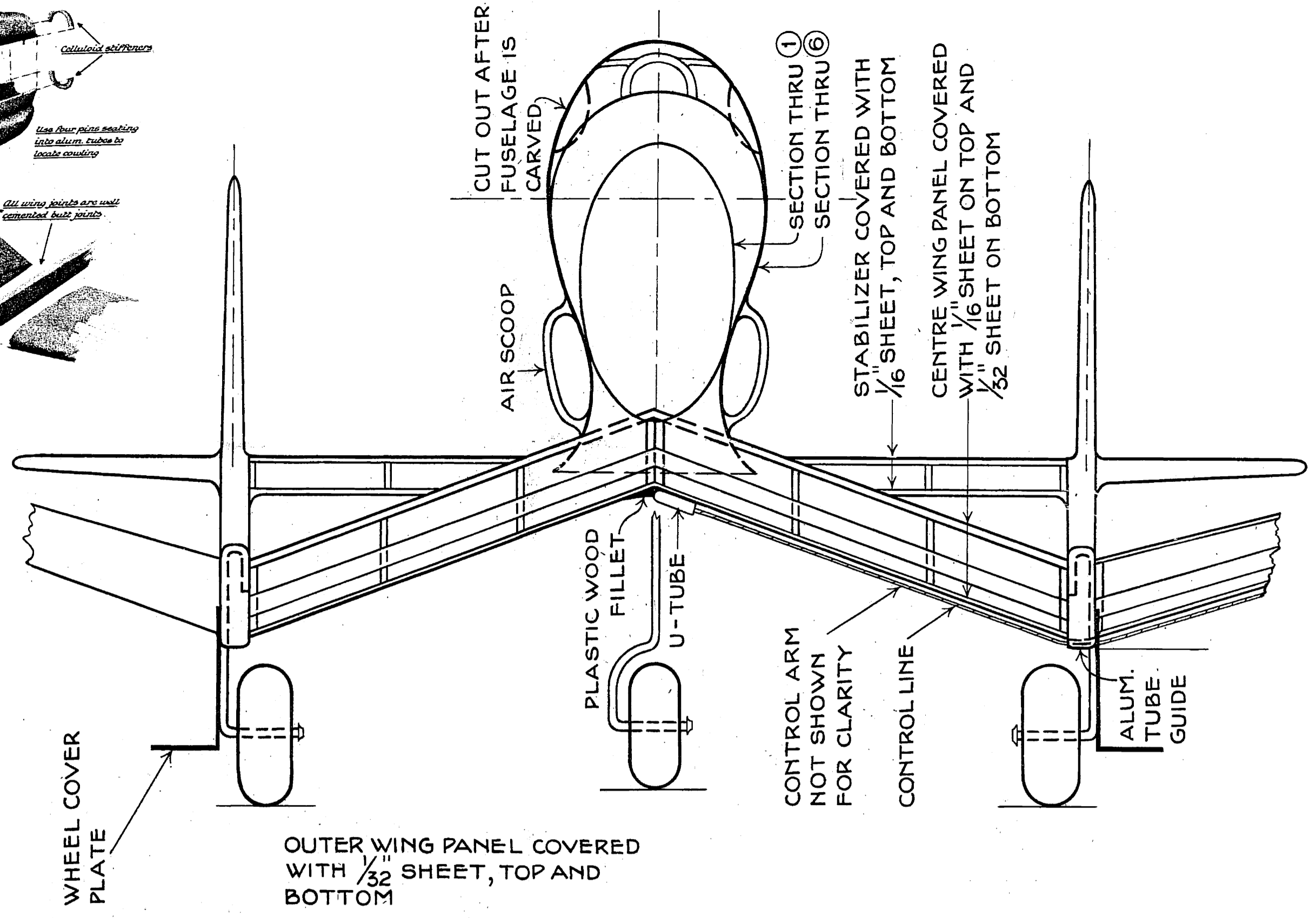
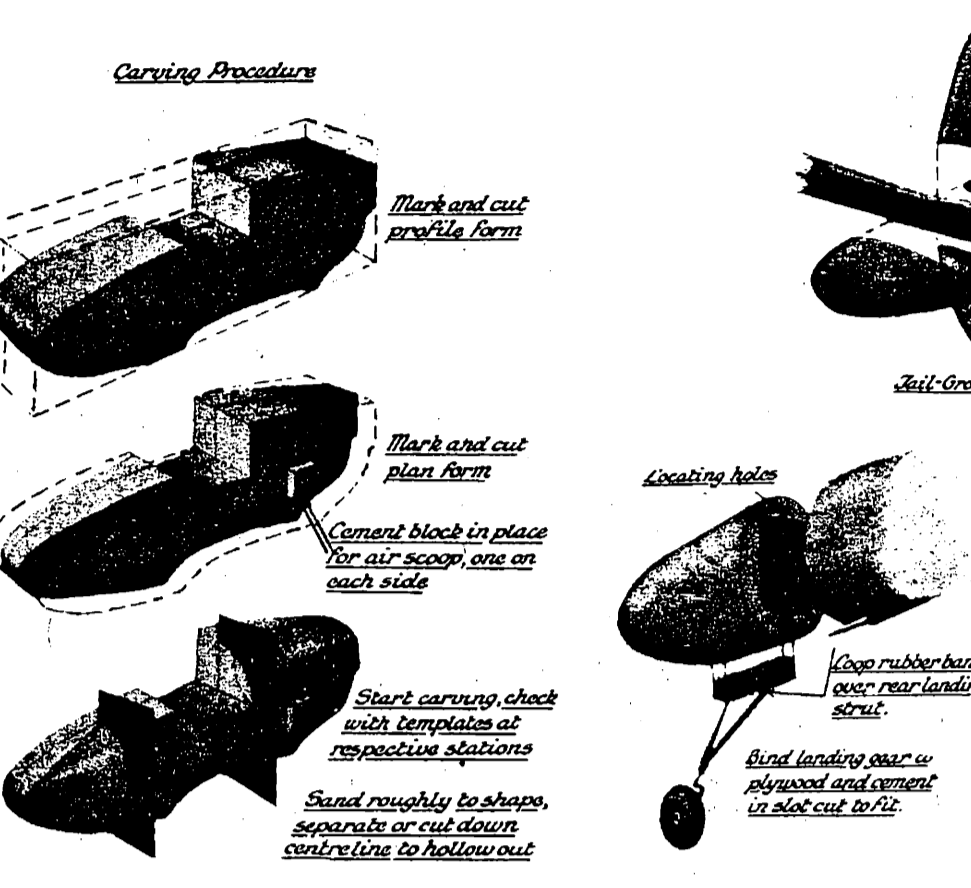
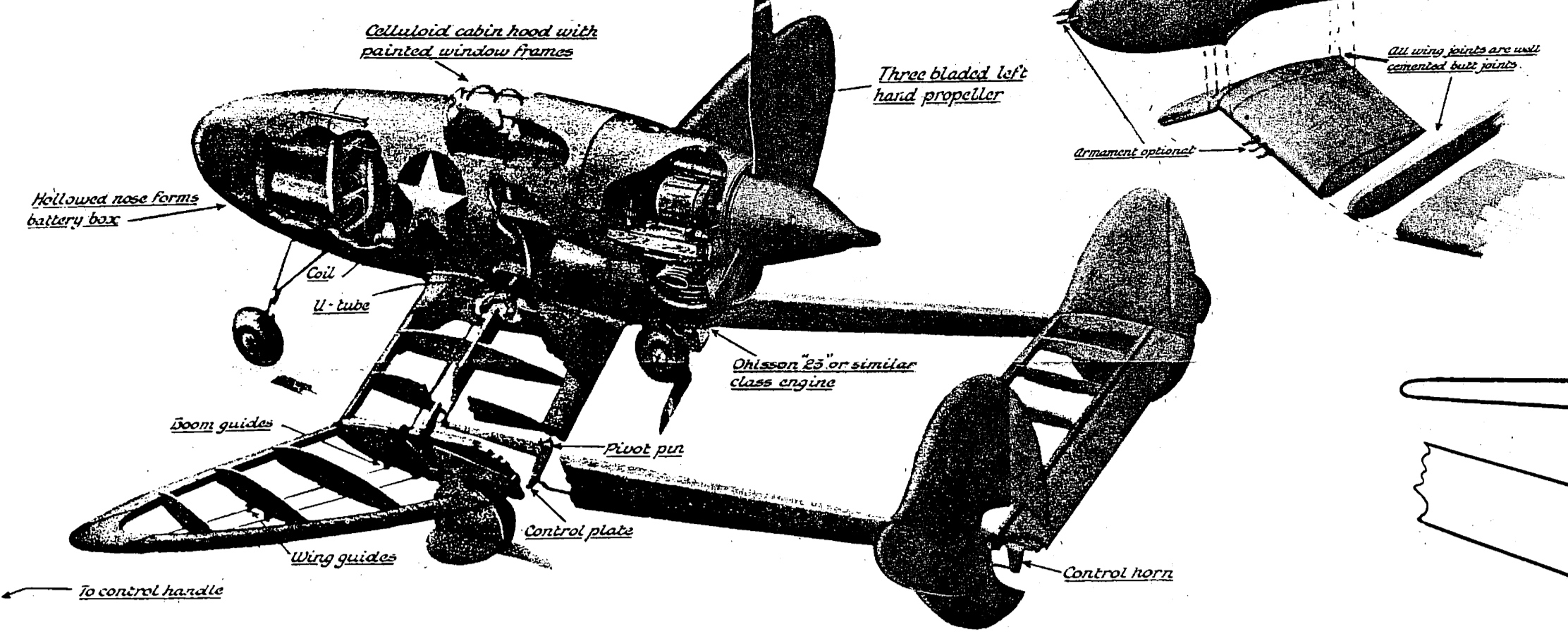


PUSHER PURSUIT

MAGAZINE PLAN SERVICE



NOTE - FUSELAGE IS CARVED FROM TWO SOFT BALS BLOCKS OR EQUIVALENT IN ONE BLOCK, 1/8 X 4 1/2 X 14, HOLLOW OUT TO ABOUT 1/8 TO 3/16 THICKNESS. FOUR BULKHEADS CUT TO FIT INTERIOR ARE CEMENTED IN PLACE. BULKHEAD AT STATION (2) IS HOLLOWED TO PROVIDE ACCESS TO INTERIOR. REMAINING THREE ARE SOLID.

BOOSTER CONNECTIONS OF SHEET BRASS, PUSH ENDS THROUGH FUSELAGE SIDE AND CEMENT

PIANO WIRE HOOKS FOR SECURING NOSE SECTION WITH RUBBER BANDS

