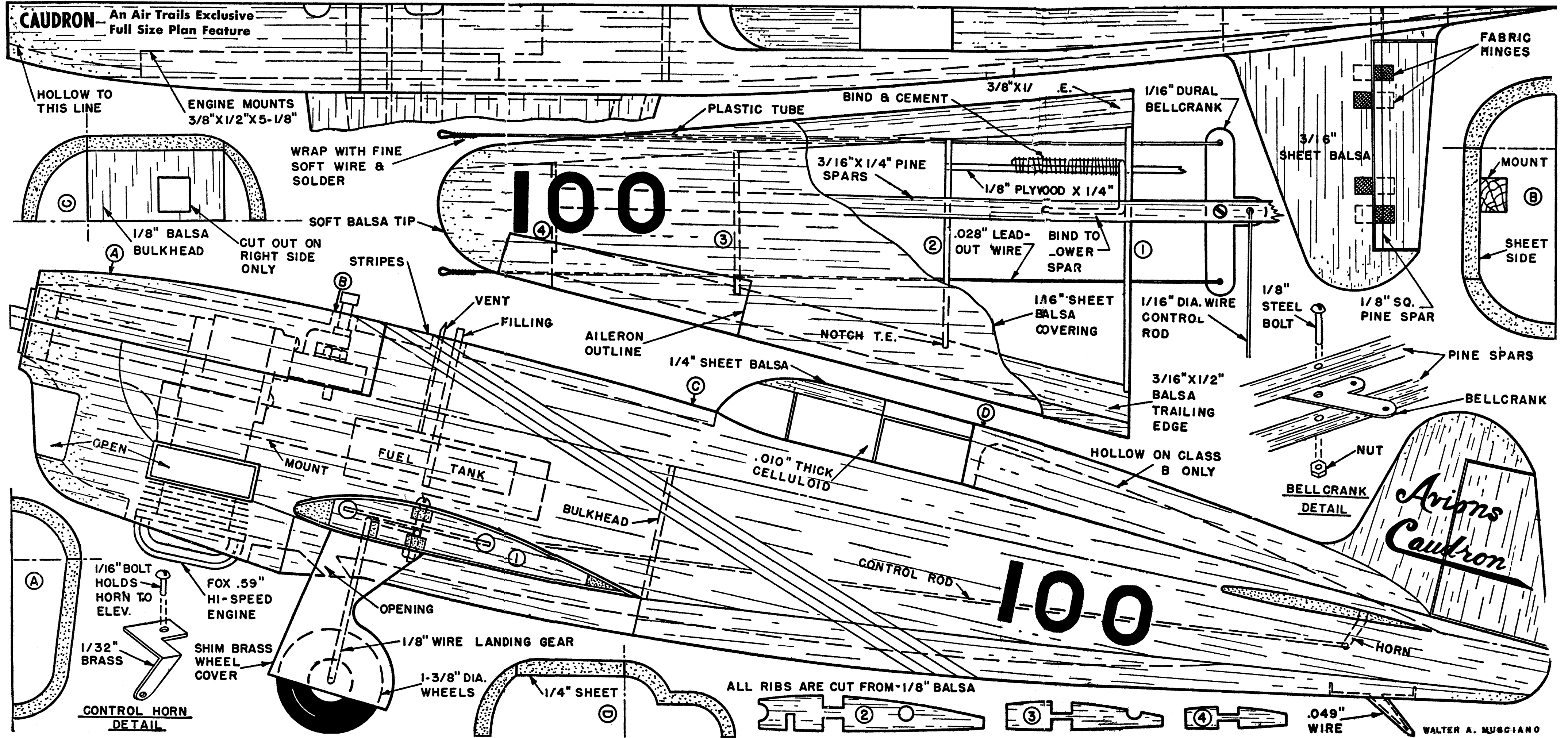


CAUDRON An Air Trails Exclusive Full Size Plan Feature



ALL RIBS ARE CUT FROM 1/8" Balsa

.049" WIRE

WALTER A. MUSCIANO

CAUDRON - An Air Trails Exclusive
Full Size Plan Feature

HOLLOW TO THIS LINE

ENGINE MOUNTS
3/8" X 1/2" X 5-1/8"

WRAP WITH FINE
SOFT WIRE &
SOLDER

SOFT Balsa TIP

1/8" Balsa
BULKHEAD

CUT OUT ON
RIGHT SIDE
ONLY

STRIPES

VENT
FILLING

AILERON
OUTLINE

1/4" SHEET Balsa

NOTCH T.E.

1/16" SHEET
Balsa
COVERING

1/16" DIA. WIRE
CONTROL
ROD

1/8" STEEL
BOLT

1/8" SQ.
PINE SPAR

PINE SPARS

BELLCRANK

BELL CRANK
DETAIL

*Avions
Caudron*

HORN

OPEN

MOUNT

FUEL
TANK

BULKHEAD

.010" THICK
CELLULOID

CONTROL ROD

100

1/16" BOLT
HOLDS
HORN TO
ELEV.

FOX .59"
HI-SPEED
ENGINE

OPENING

1/8" WIRE LANDING GEAR

SHIM BRASS
WHEEL
COVER

1-3/8" DIA.
WHEELS

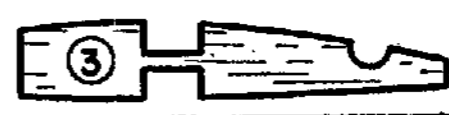
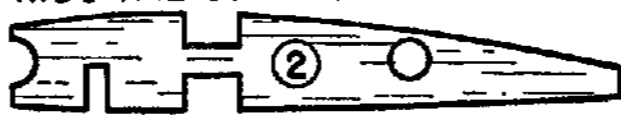
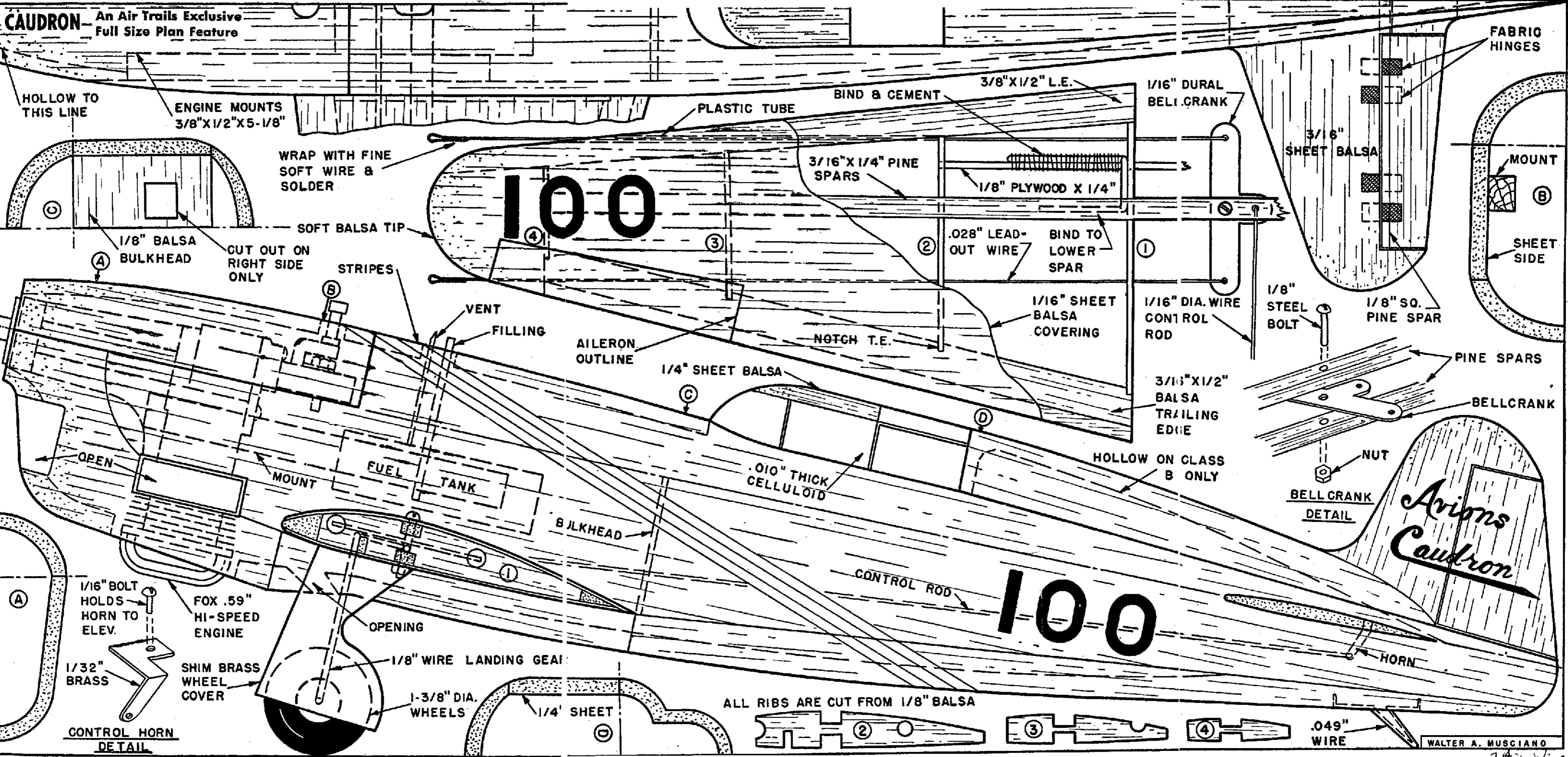
1/4" SHEET

ALL RIBS ARE CUT FROM 1/8" Balsa

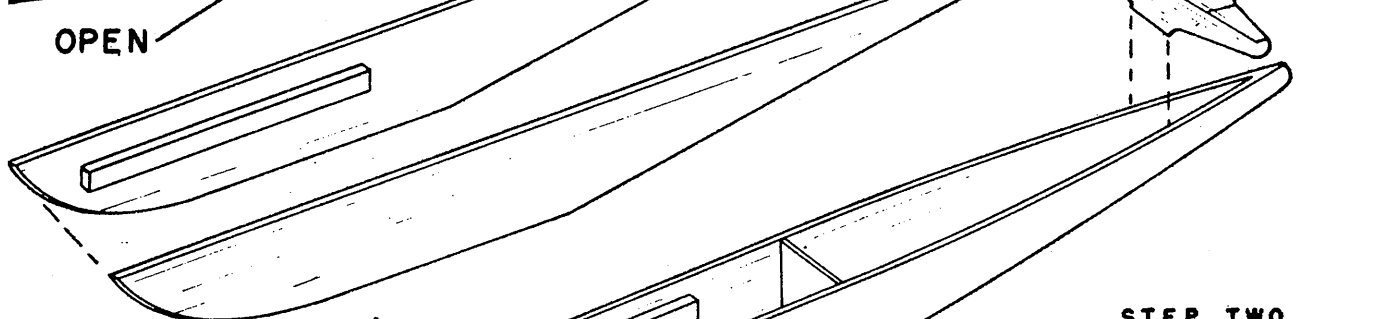
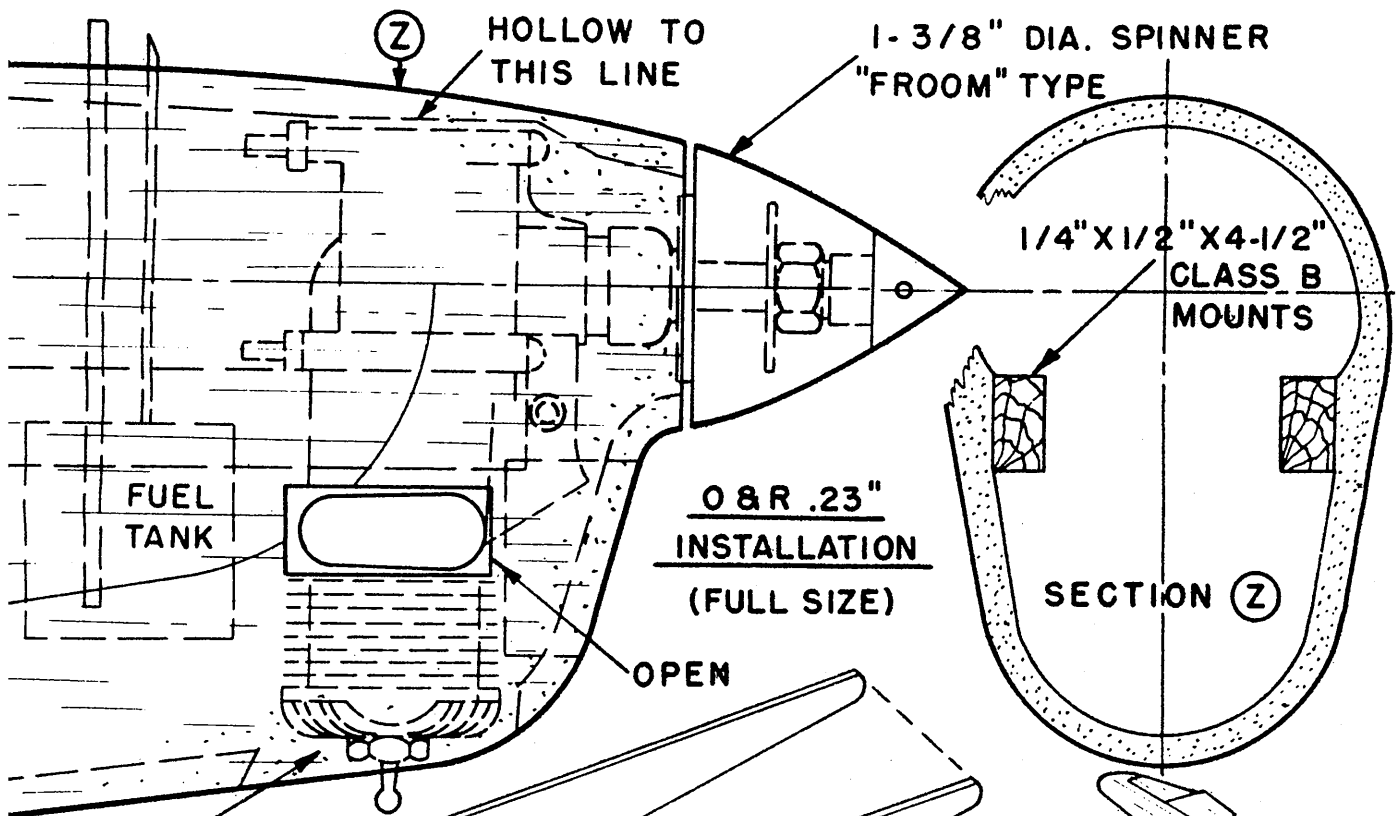
CONTROL HORN
DETAIL

.049"
WIRE

WALTER A. MUSCIANO



CAUDRON (Continued)



STEP ONE

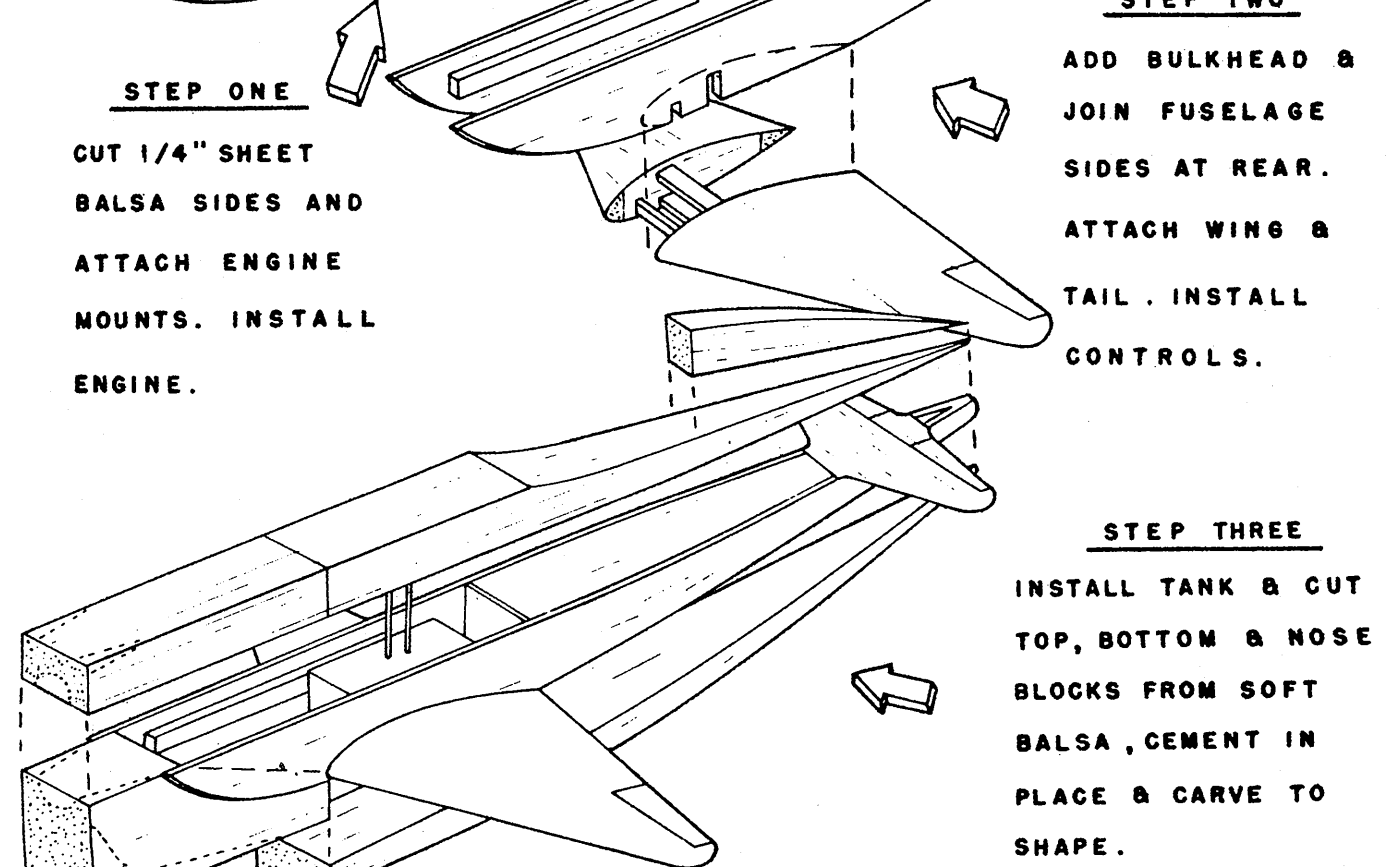
CUT 1/4" SHEET Balsa SIDES AND ATTACH ENGINE MOUNTS. INSTALL ENGINE.

STEP TWO

ADD BULKHEAD & JOIN FUSELAGE SIDES AT REAR. ATTACH WING & TAIL. INSTALL CONTROLS.

STEP THREE

INSTALL TANK & CUT TOP, BOTTOM & NOSE BLOCKS FROM SOFT Balsa, CEMENT IN PLACE & CARVE TO SHAPE.



FUSELAGE CONSTRUCTION