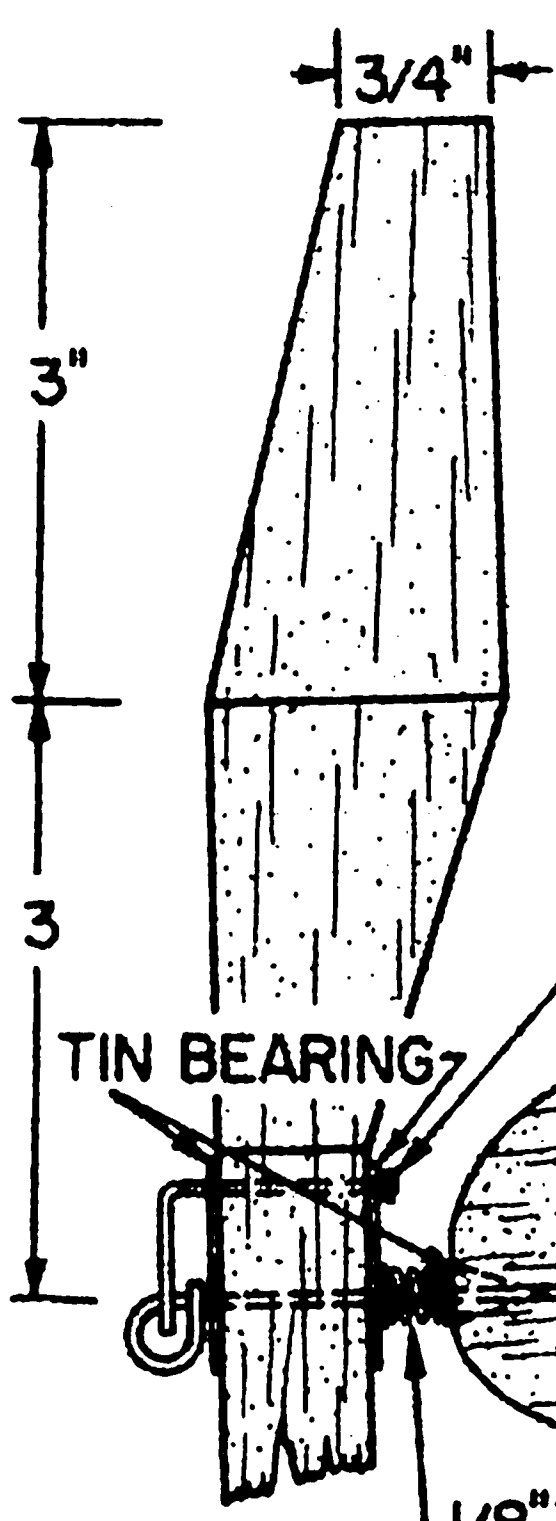
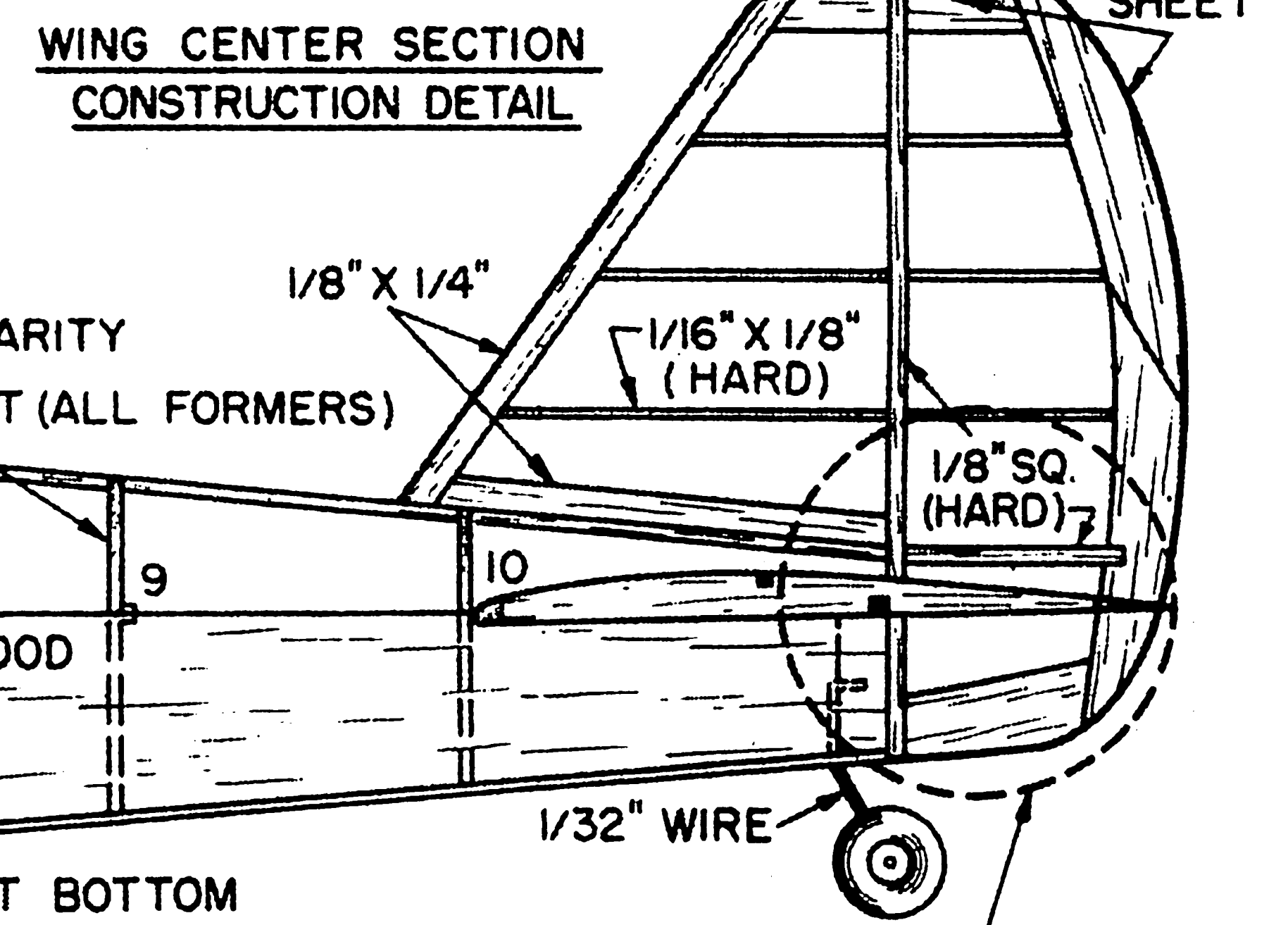
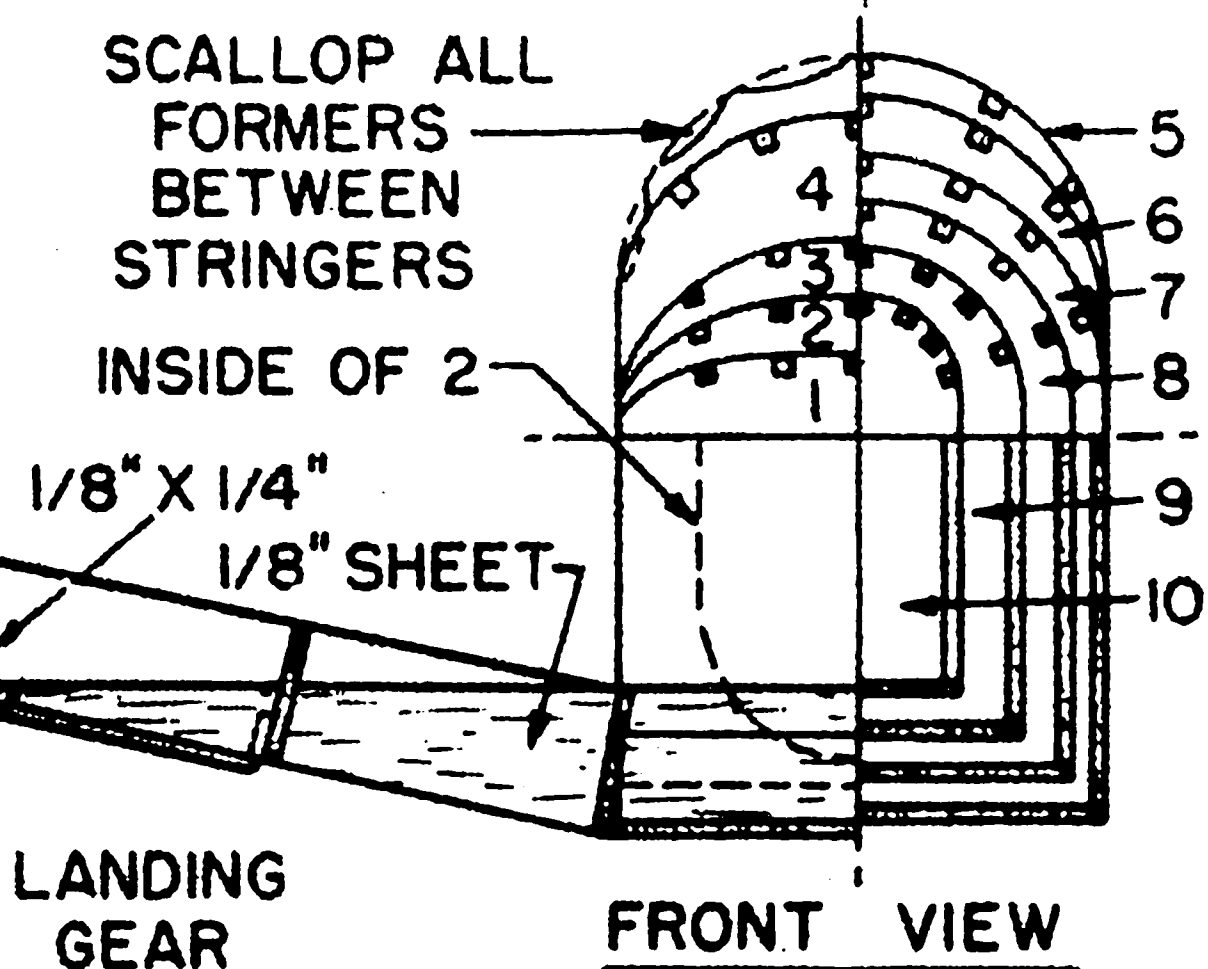
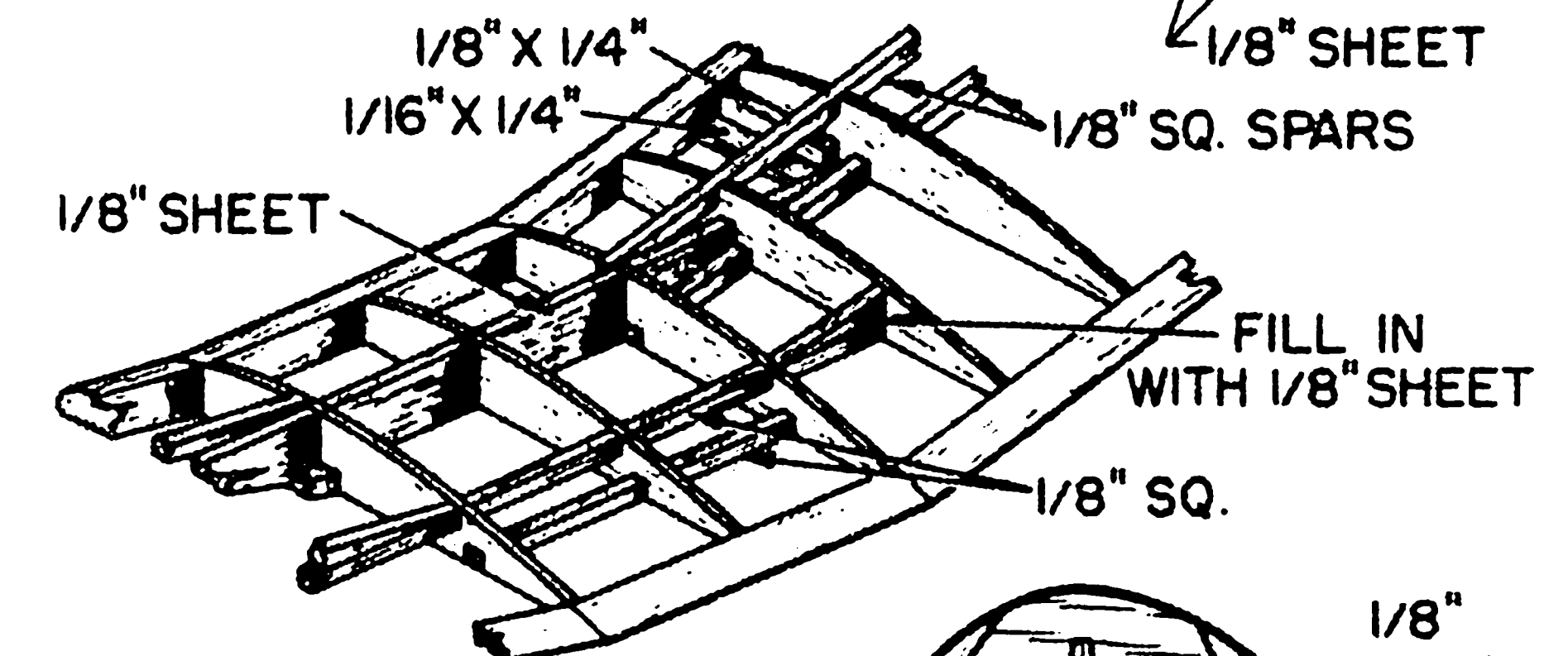
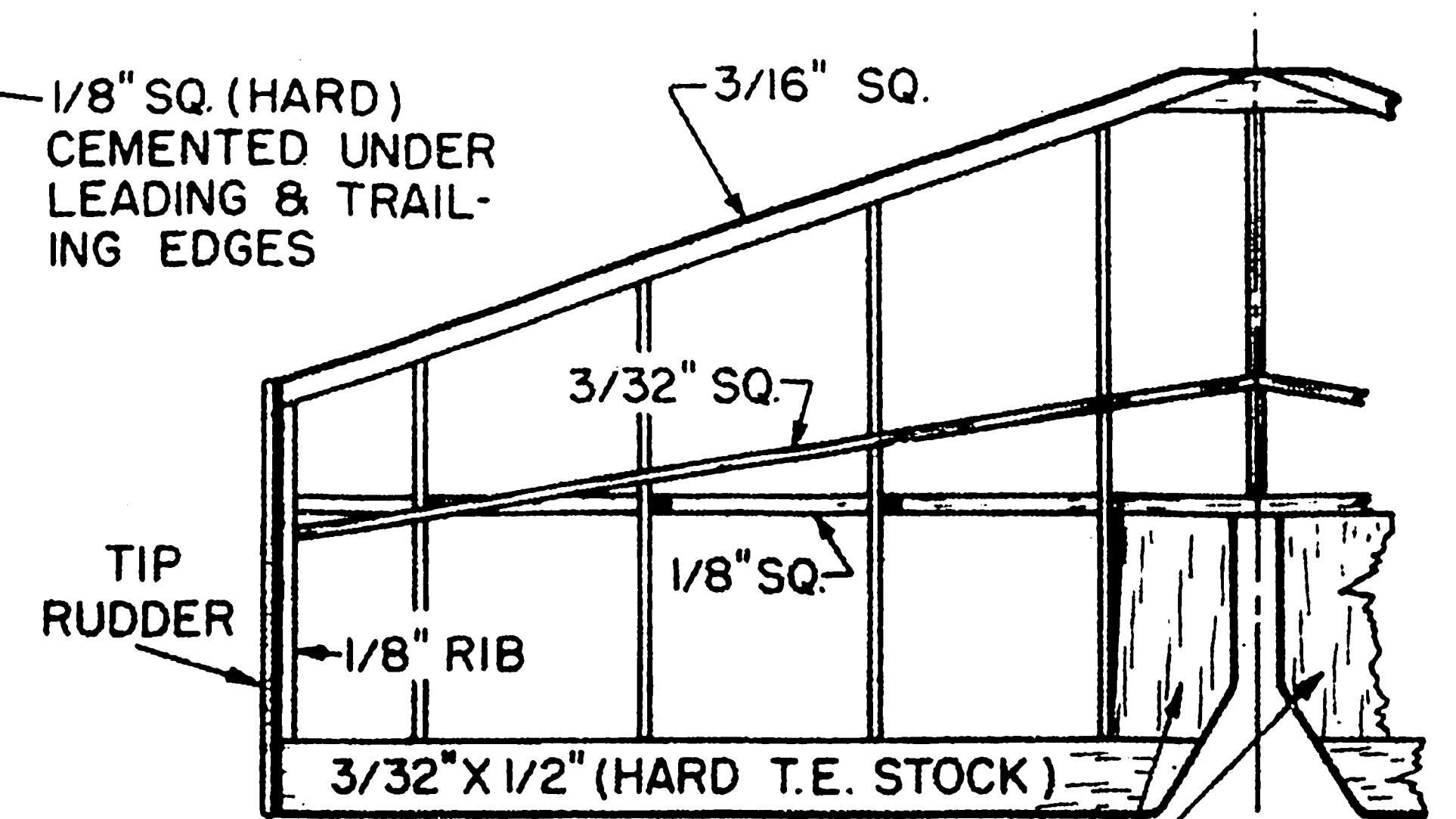


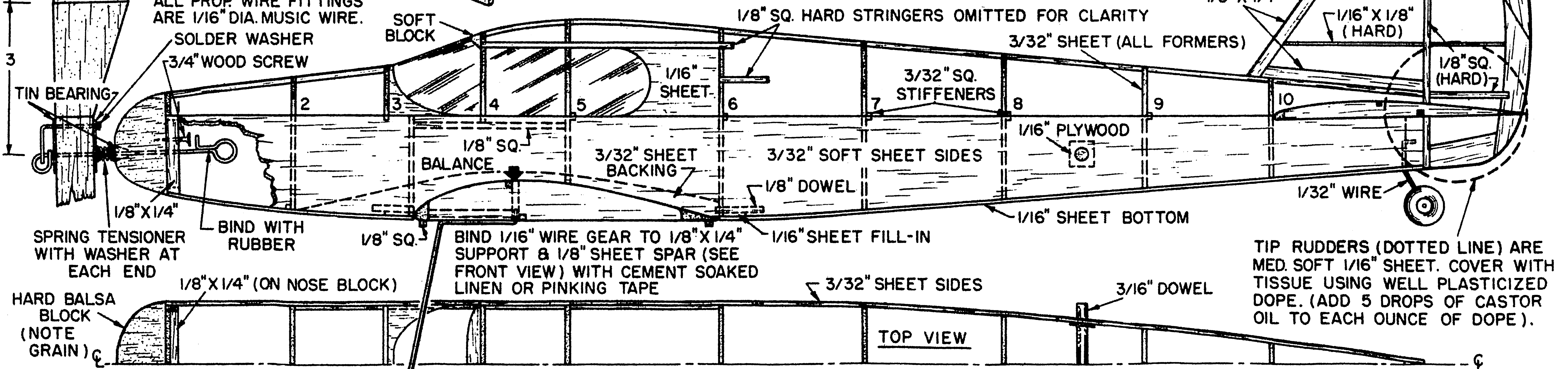
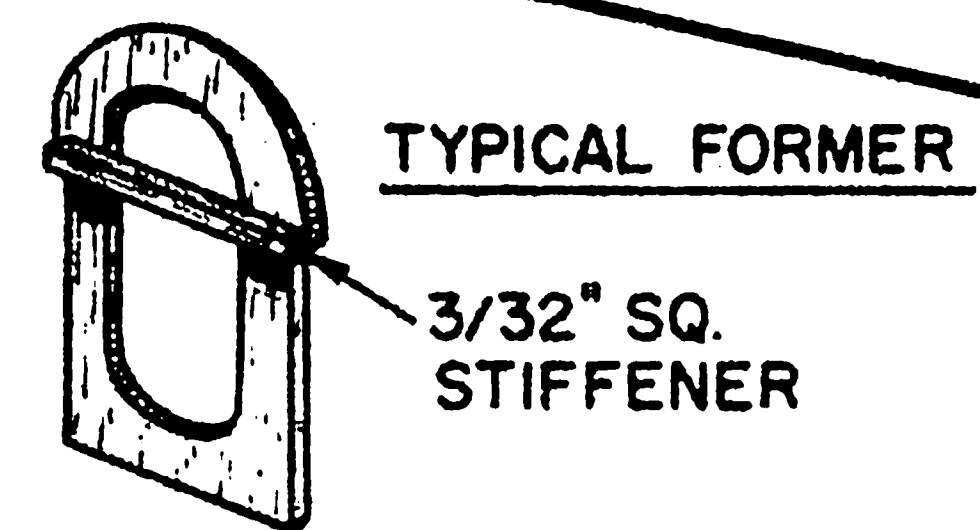
NOTE: WING DIHEDRAL IS 3-3/4" AT EACH TIP. LEFT WING TIP MAY HAVE SLIGHT AMOUNT OF WASH-IN.

NOTE: ALL RIBS 1/16" SHEET EXCEPT STAB. TIPS



PROP. BLOCK: 1-1/2" X 2" X 12" (MED. SOFT) CUT OUT BACK OF HUB AFTER CARVING BLADES.

POWER: 12 STRANDS (T-56) 3/16" FLAT, 25" LONG. LUBRICATE WITH GLYCERINE, CASTOR OIL OR GREEN SOAP. ALL PROP. WIRE FITTINGS ARE 1/16" DIA. MUSIC WIRE.



SOLDER WASHER

3/4" WOOD SCREW

TIN BEARING

1/8" X 1/4"

SPRING TENSIONER WITH WASHER AT EACH END

HARD Balsa BLOCK (NOTE GRAIN)

1/8" X 1/4" (ON NOSE BLOCK)

BIND WITH RUBBER

TIP RUDDERS (DOTTED LINE) ARE MED. SOFT 1/16" SHEET. COVER WITH TISSUE USING WELL PLASTICIZED DOPE. (ADD 5 DROPS OF CASTOR OIL TO EACH OUNCE OF DOPE).

NOTE: BUILD IN DOWN THRUST AS SHOWN. AN ADDITIONAL 1/16" MAY BE ADDED IF FLIGHT TESTS INDICATE POWER STALL.

USE FAIRLY HEAVY 2" DIA. RUBBER TIRED WHEELS. ADD ADDITIONAL WEIGHT INSIDE NOSE BLOCK FOR FINAL BALANCE



PLANS BY AUBREY KOCHMAN

Bellanca

