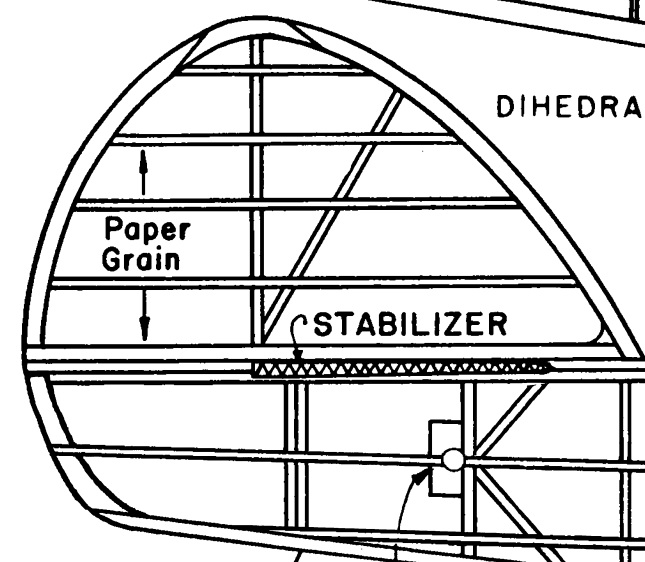


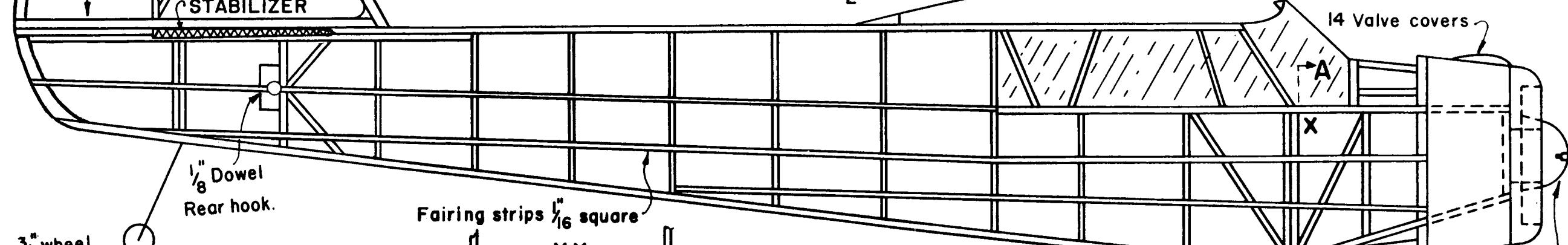
DIHEDRAL = $2\frac{3}{4}$ "

Tips $\frac{1}{8}$ " x $\frac{1}{4}$ " balsa or $\frac{1}{16}$ " sq. bamboo.



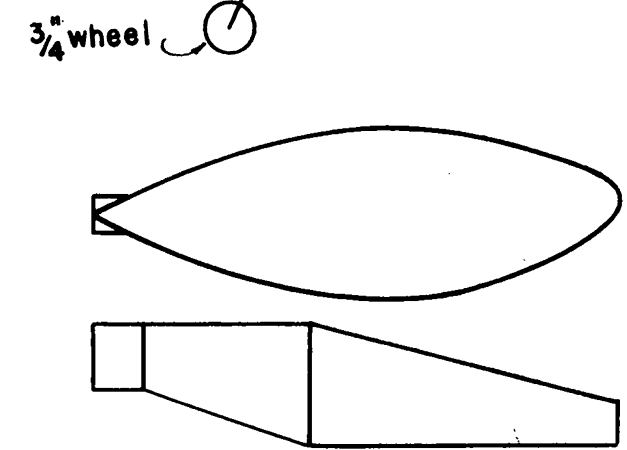
SCALE $\frac{1}{2}$ SIZE

RUDDER & STABILIZER SECTION

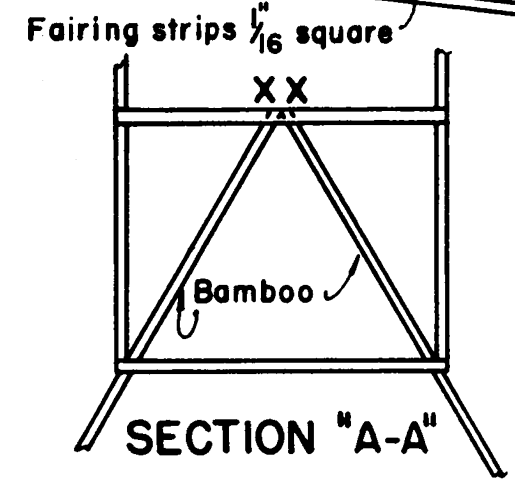


$\frac{1}{8}$ " Dowel Rear hook.

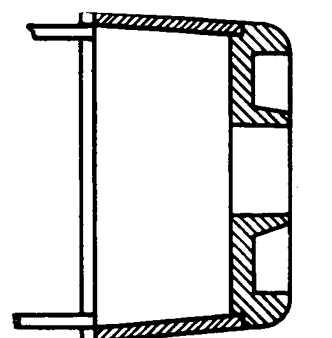
14 Valve covers



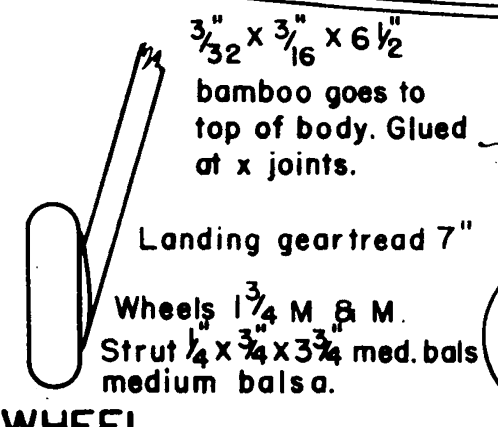
PROPELLER VIEWS



SECTION "A-A"



SECTION THRU COWLING



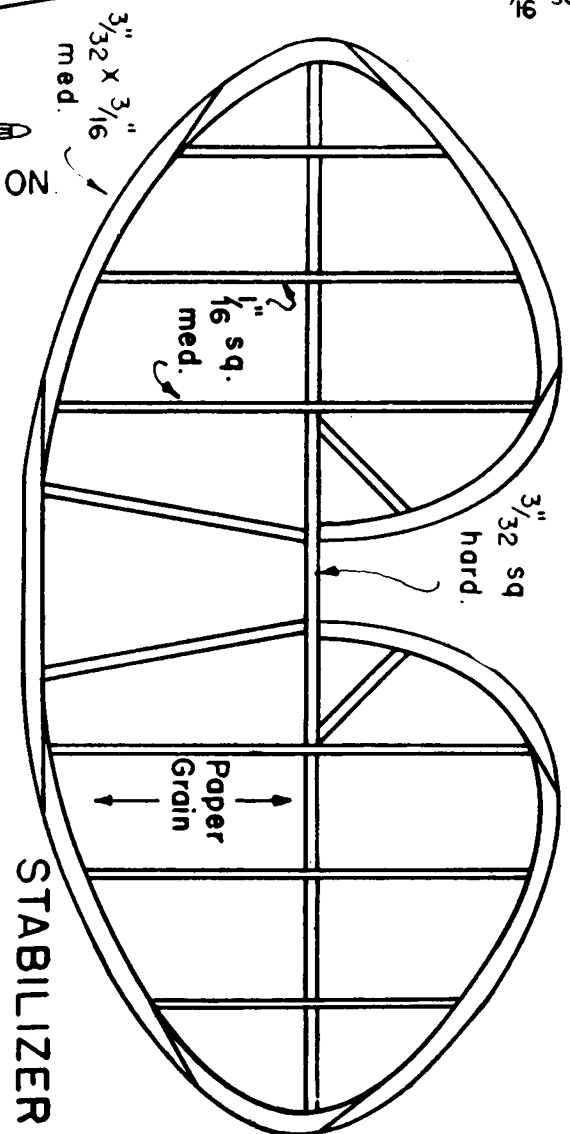
WHEEL

$\frac{3}{32}$ " x $\frac{3}{16}$ " x $6\frac{1}{2}$ " bamboo goes to top of body. Glued at x joints.

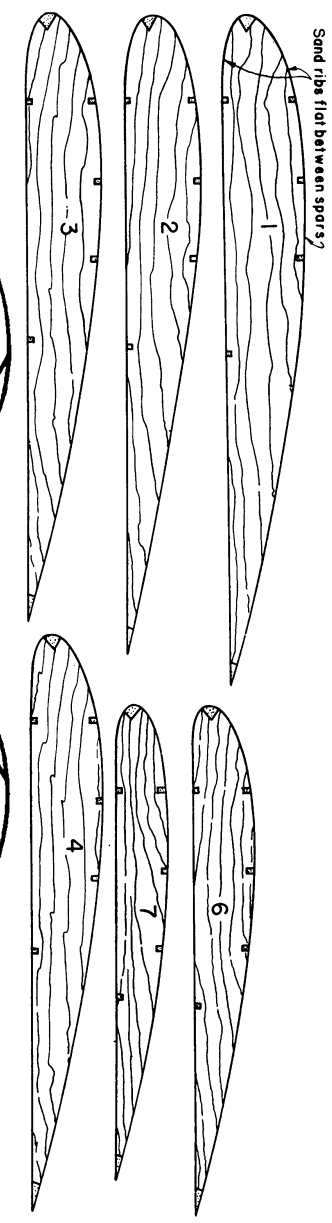
Landing gear tread 7"
Wheels $1\frac{3}{4}$ " M & M.
Strut $\frac{1}{4}$ " x $\frac{3}{4}$ " x $3\frac{3}{4}$ " med. bals medium balsa.

Weight here Cowling covered with $\frac{1}{32}$ " medium.

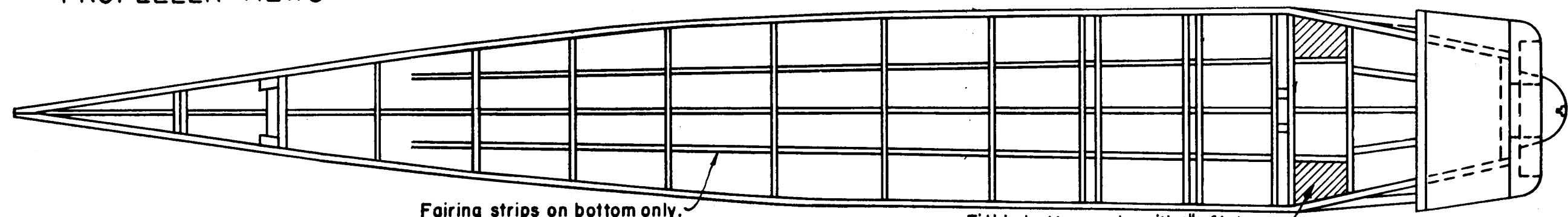
Nose button made of pine. Brass bearing front and back. 3° downthrust.



STABILIZER



Send ribs flat between spars?



Fairing strips on bottom only.

Fill in bottom only with $\frac{1}{8}$ " flat.

Motor has 7 cylinders