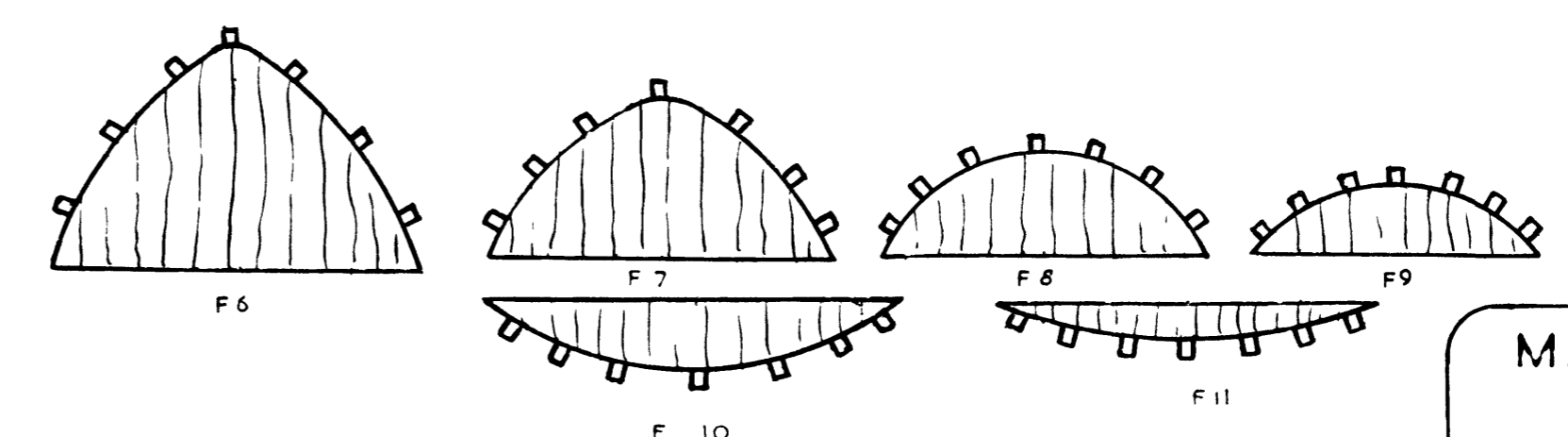
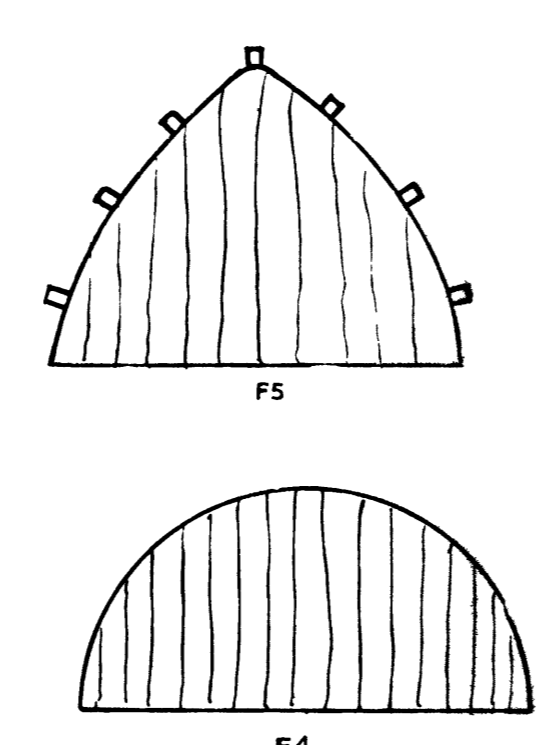
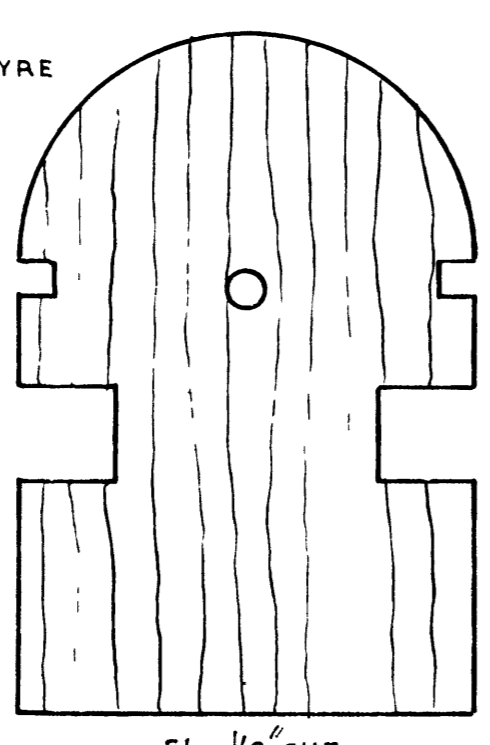
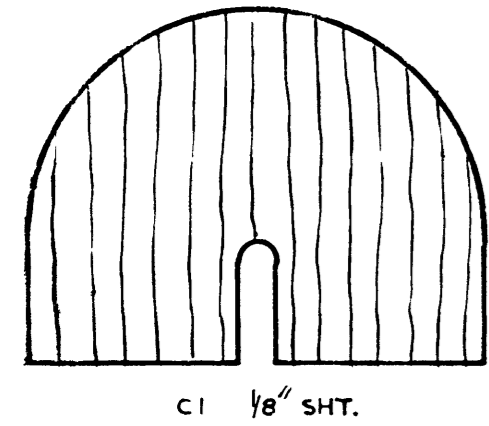
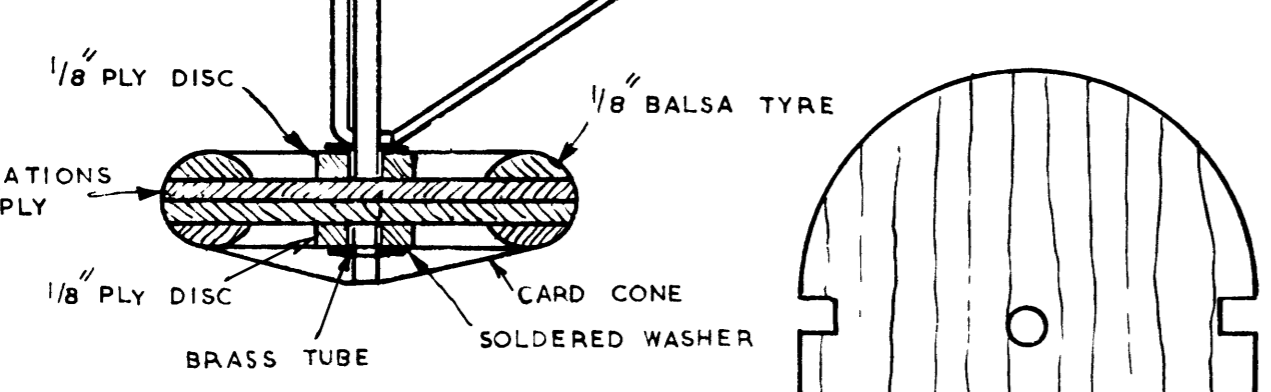
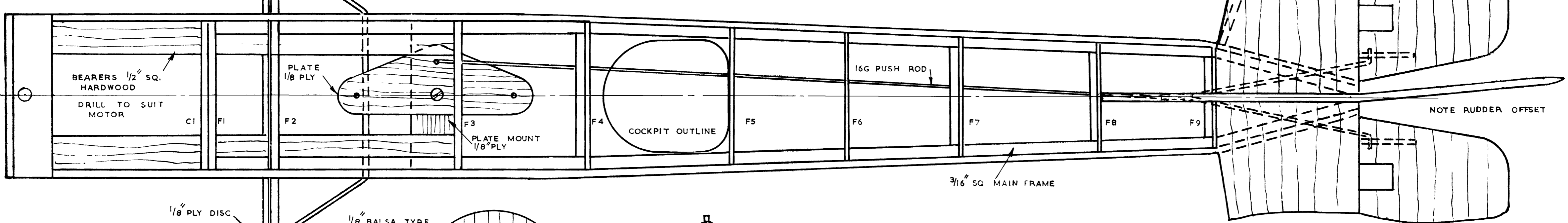
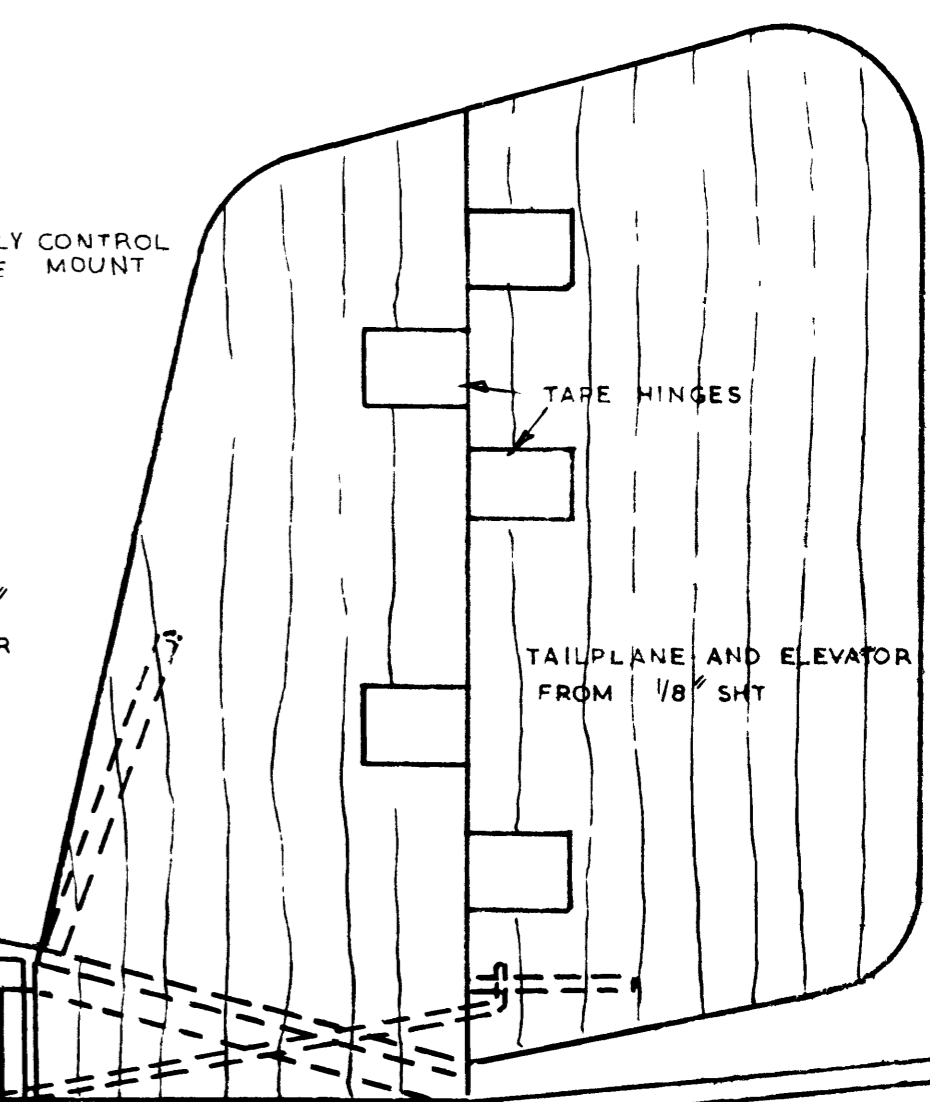
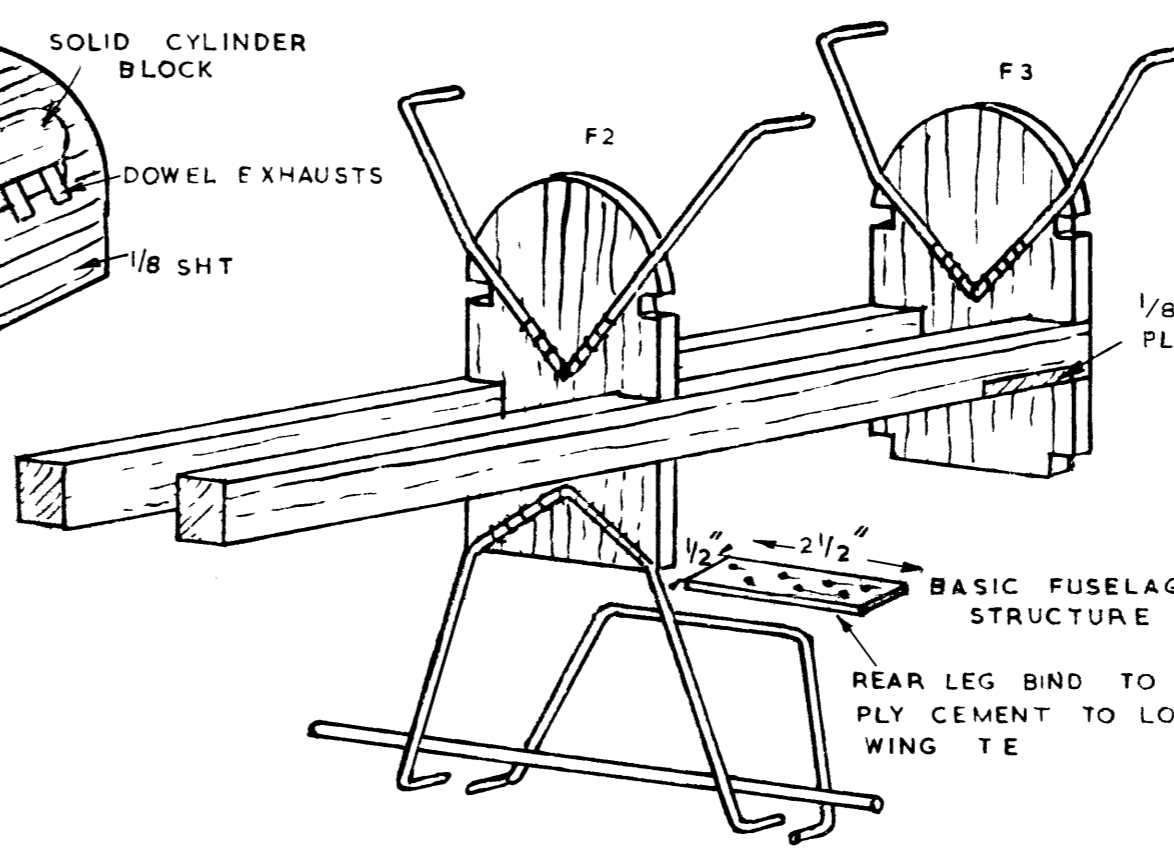
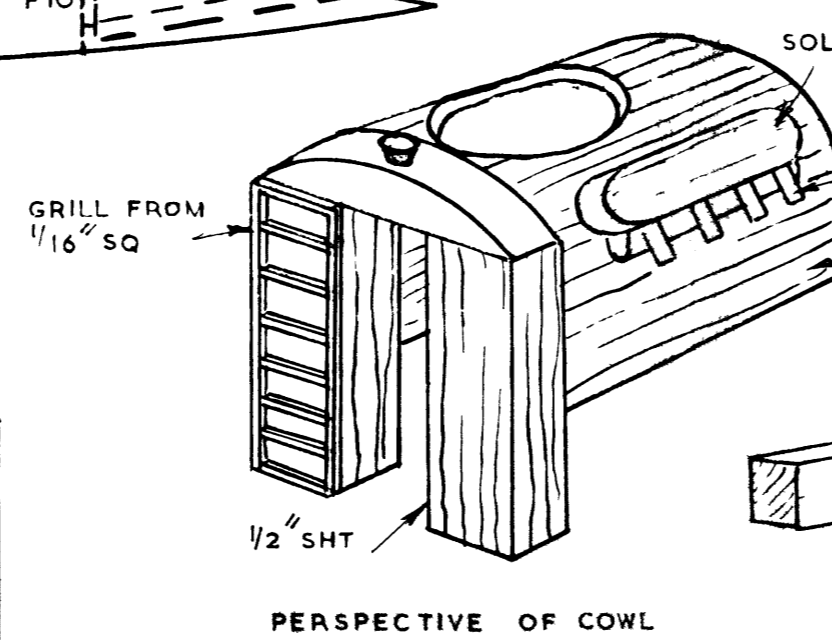
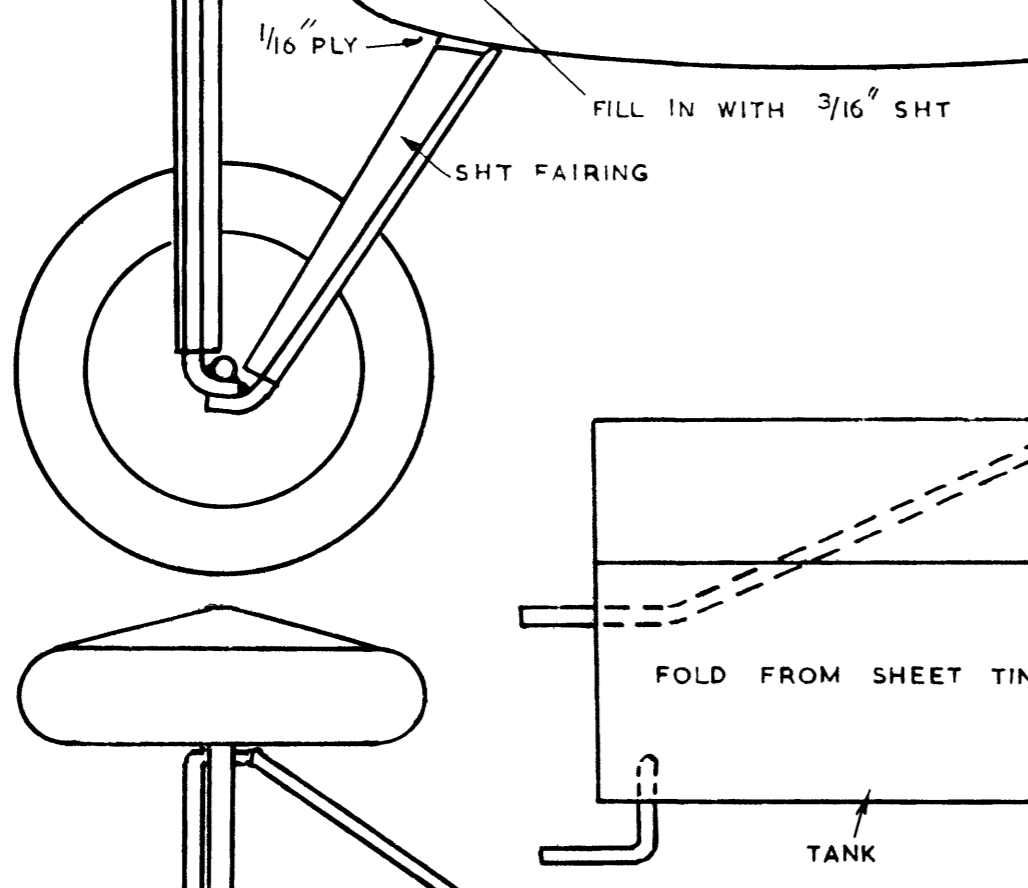
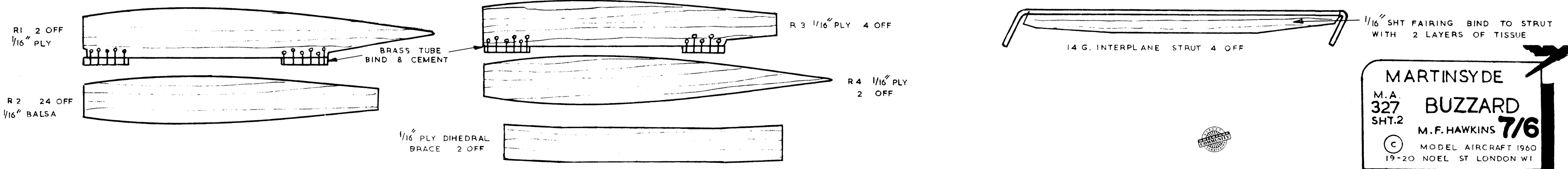
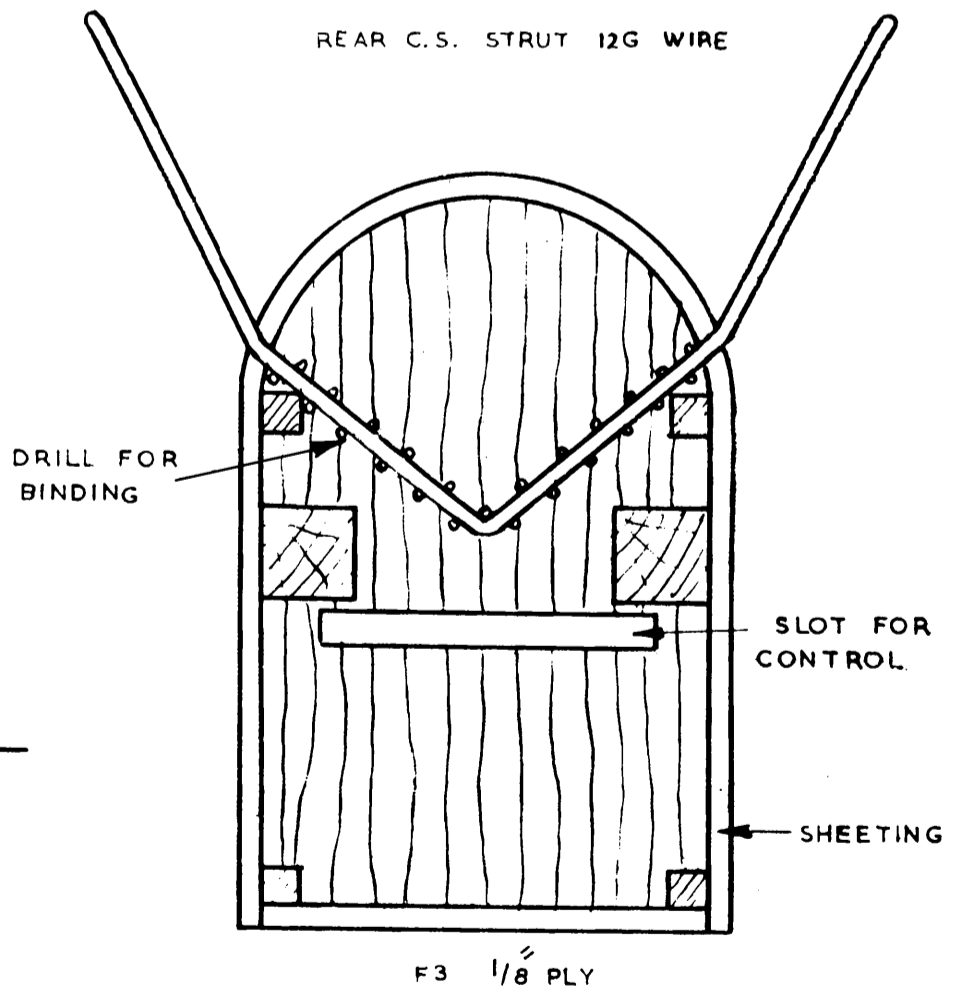
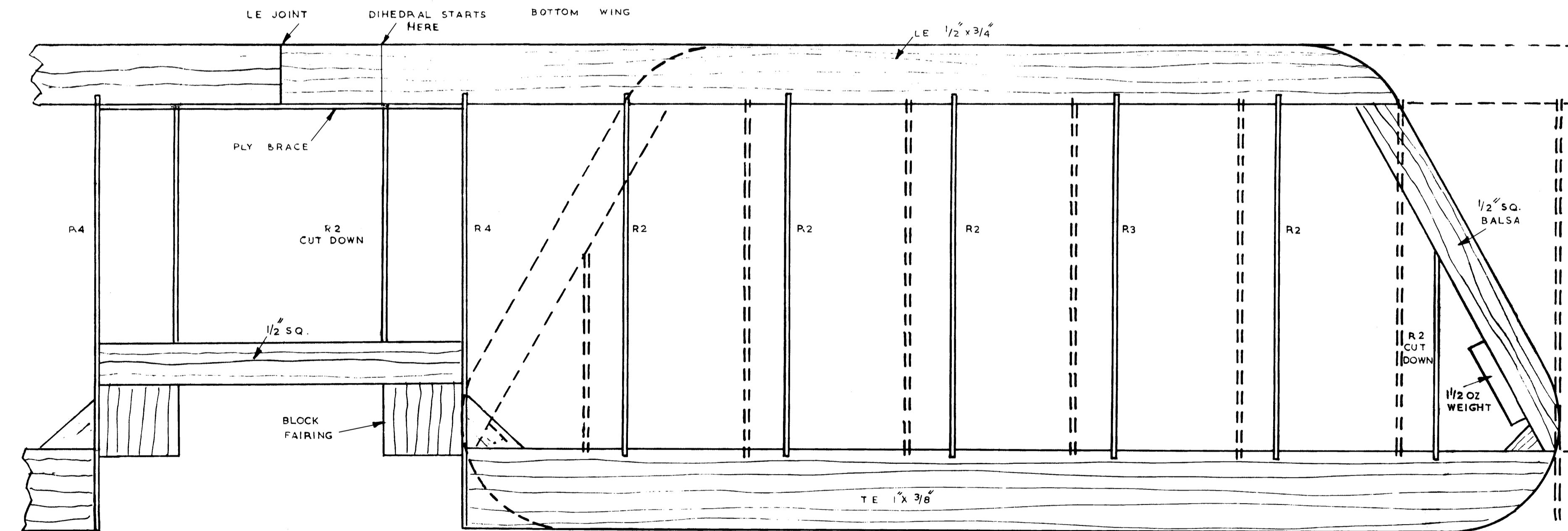
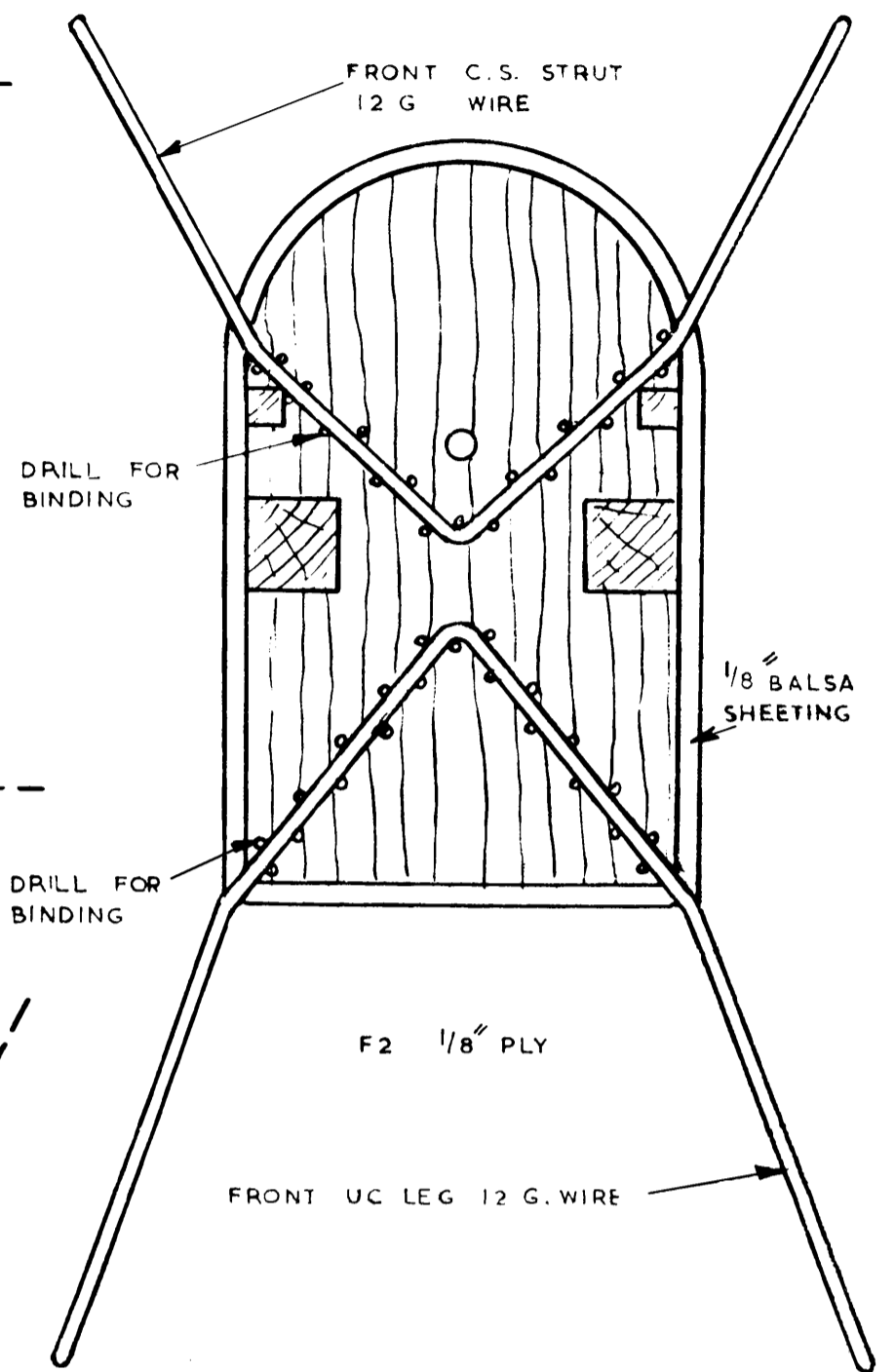
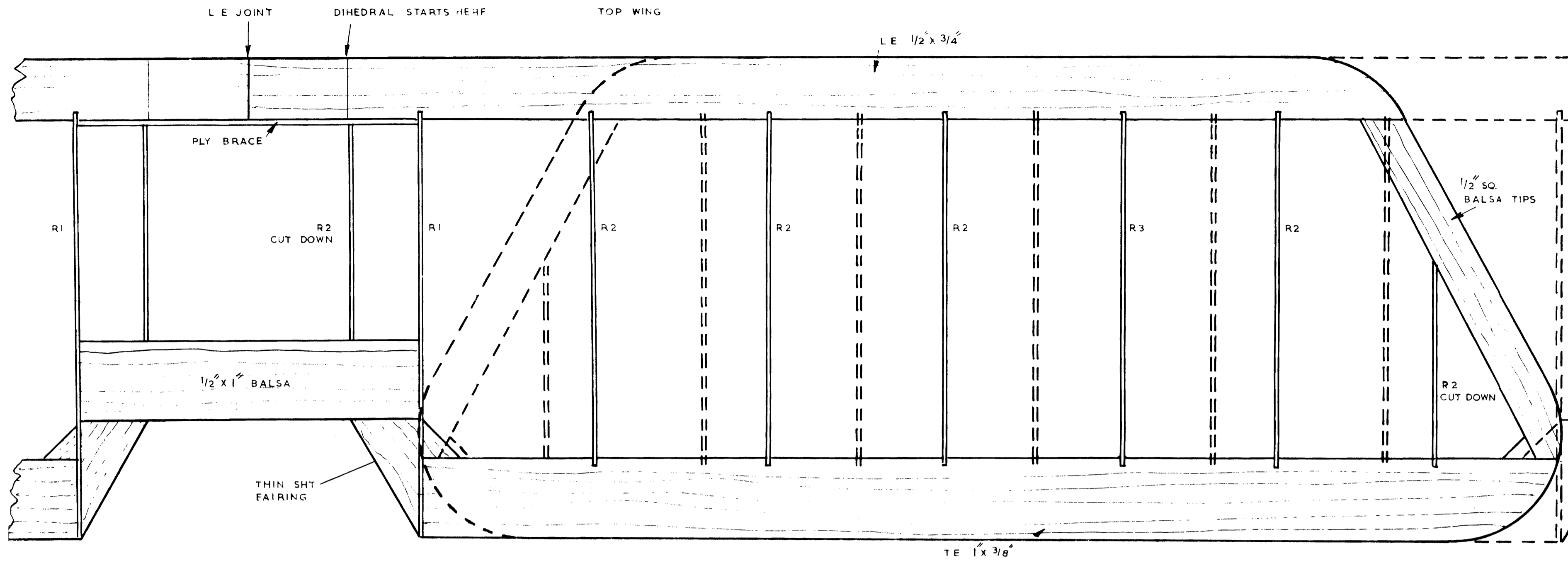


POWER WITH FROG 500 OR SIMILAR 9x6" PROP
 COVER FUSELAGE WITH 1/8" SHT BACK TO F4



F4 F11 1/16" SHT Balsa

MARTINSYDE BUZZARD
 M.A. 327 M.F. HAWKINS 7/6
 SHT.1 SPAN 32" LENGTH 24"
 © MODEL AIRCRAFT 1960
 19-20 NOEL ST LONDON W1



MARTINSYDE

M.A. 327

SHT.2

M.F. HAWKINS **7/6**

MODEL AIRCRAFT 1960

19-20 NOEL ST LONDON W1