

FORMER BX

CONTROL COLUMN

SPAR REINFORCEMENT

3/16 SHT FIN & RUDDER

1/4 x 1/8 Balsa REINFORCEMENT ON REAR AFTER ANGLE SET

POSITION OF C PLATE MOUNT

1/8 PLY CONTROL PLATE MOUNT

POSITION OF BX

ALL FORMERS EXCEPT 'A' 1/8 SHT.

UPPER PART OF FUSELAGE ADDED AFTER WING

16G. BRASS TUBE SOLDER TO HINGE WIRE
PUSH ROD TEE SOLDERED

SOFT BLOCK

CONTROL PLATE

16 G. PUSHROD

SOFT BLOCK FAIRING HOLLOW TO CLEAR CONTROLS

WEIGHT BOX HERE IF NECESSARY

SHT SIDES 3/32 HARD

1/8 PLY BRACE

1/8 SQ.

PERSPEX WINDOWS

1/4 x 1/8 BACKING STRIPS

UPPER & LOWER PLANKING 1/4 x 3/32 HARD

3/16 SHT

16G WIRE YOKE

USE FAVOURITE METHOD OF HINGING ELEVATORS

TIN PLATE STRIP SOLDER IN POSN. FAIR WITH SOLDER

1/4 PLY NOSE KEEL

1/4 Balsa KEEL

NOSEWHEEL BOLTED TO NOSE KEEL

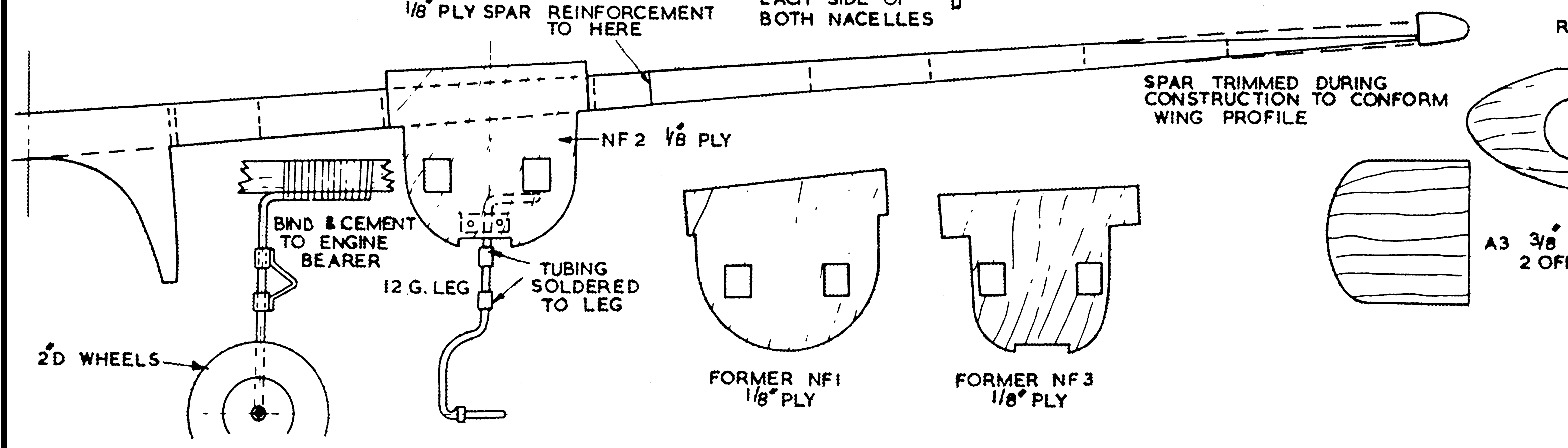
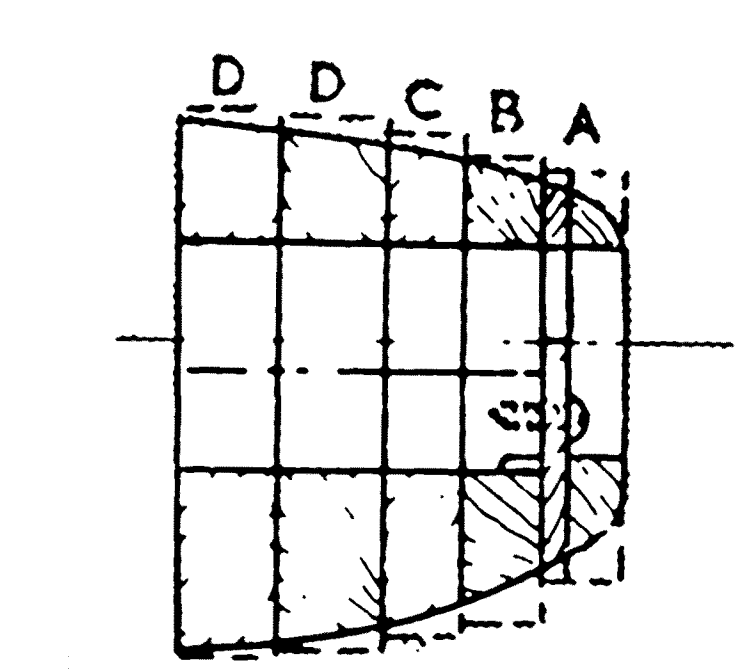
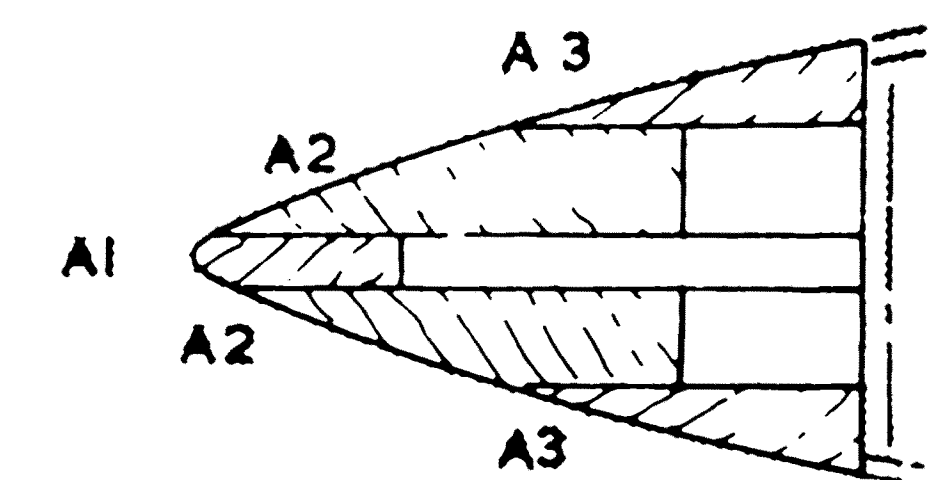
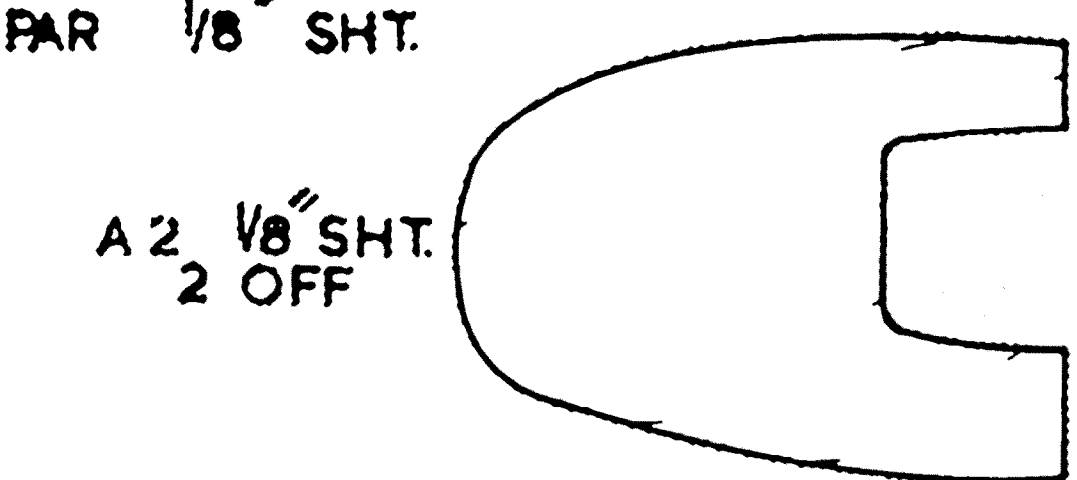
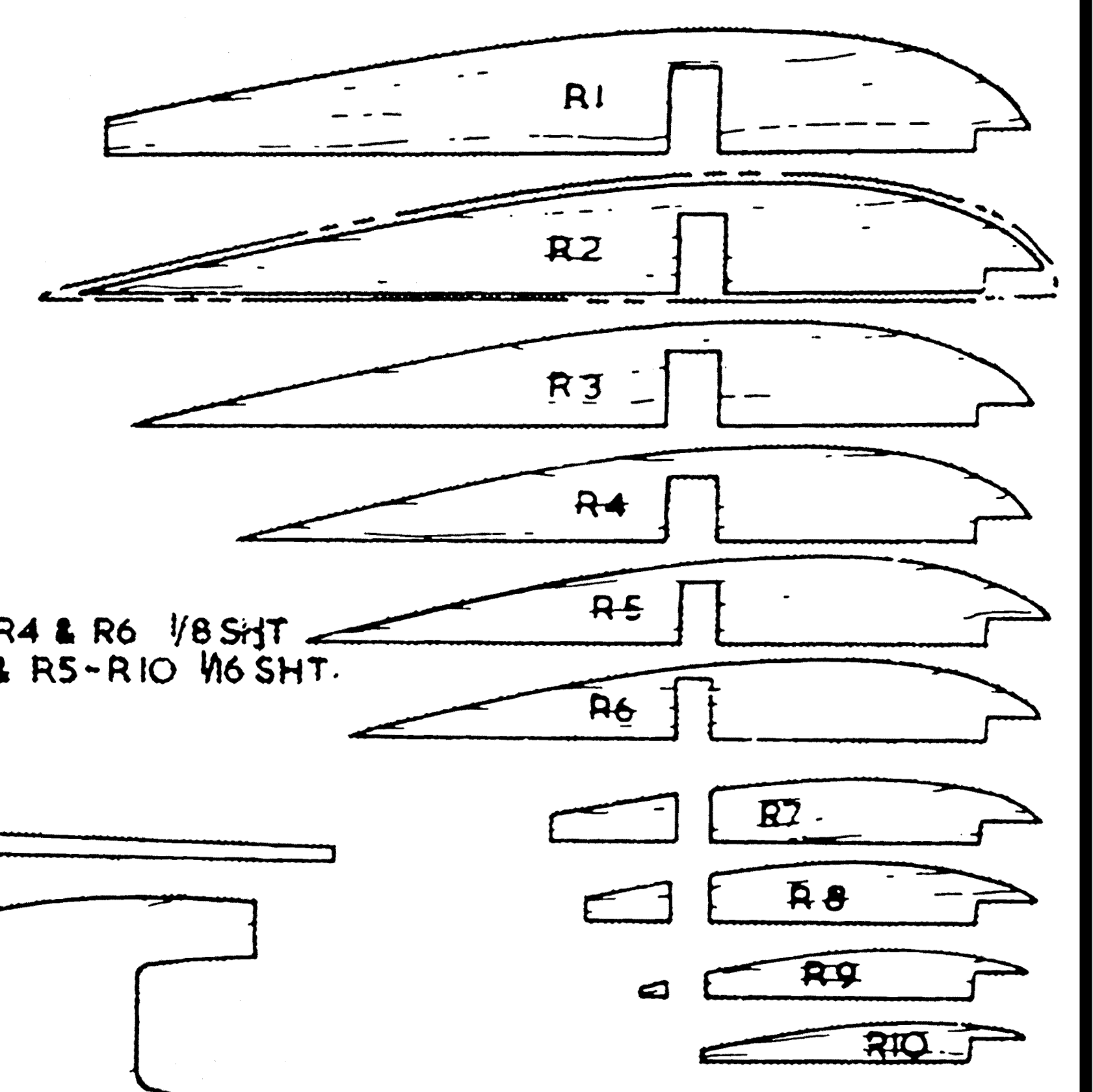
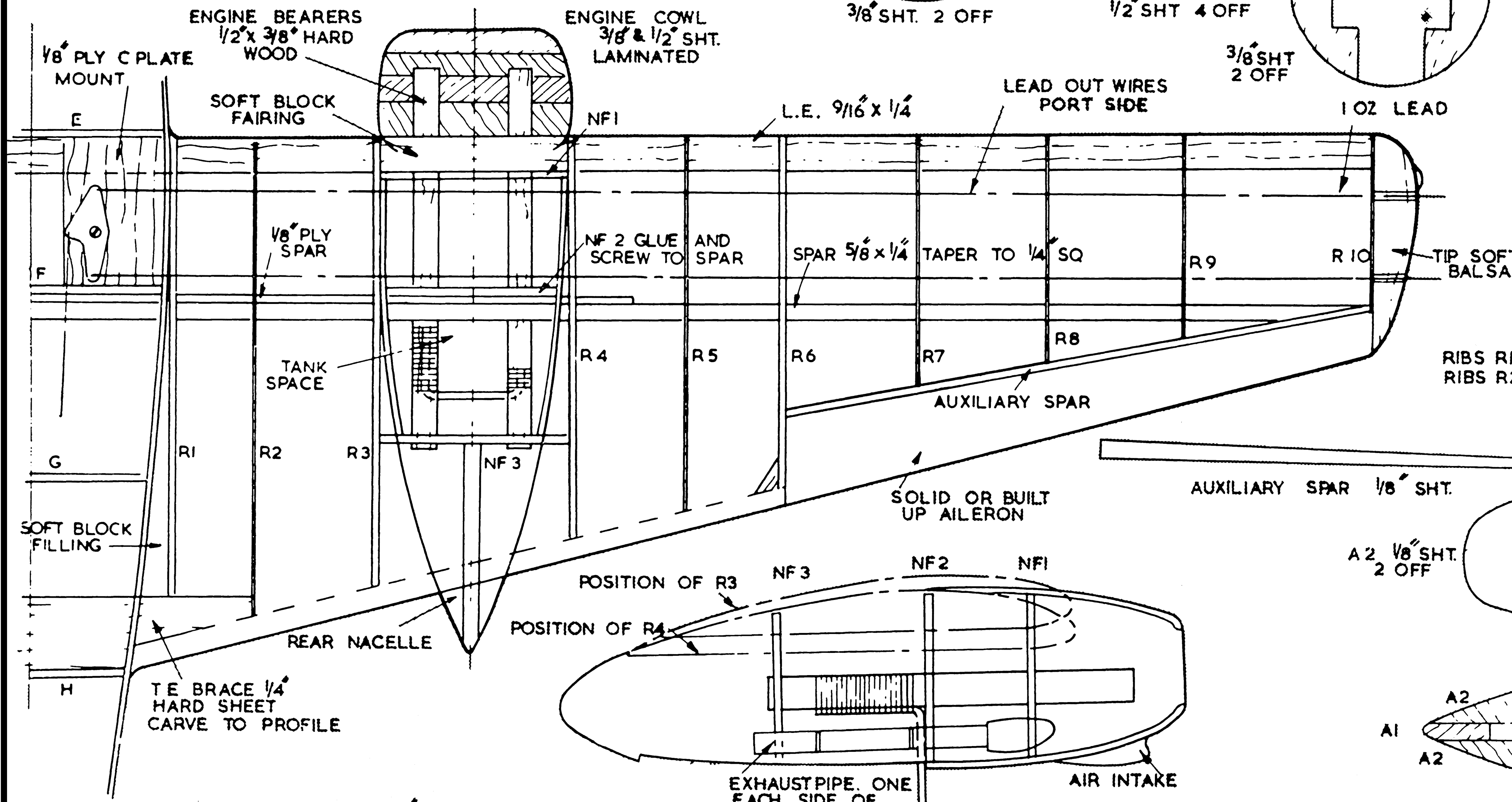
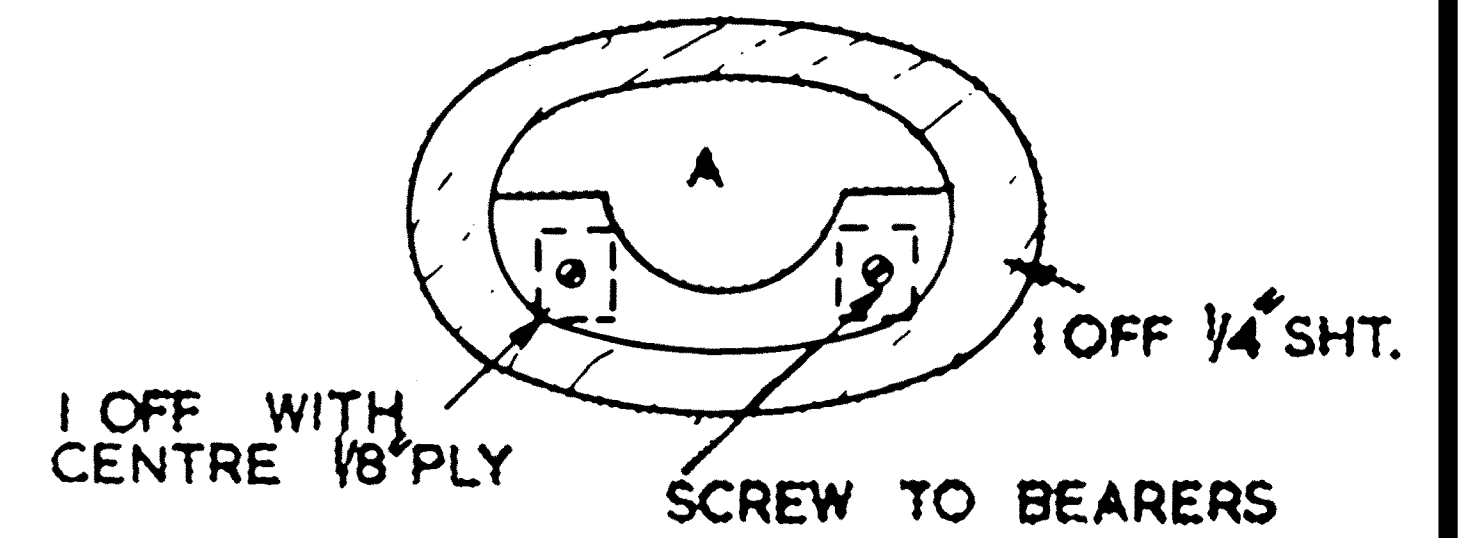
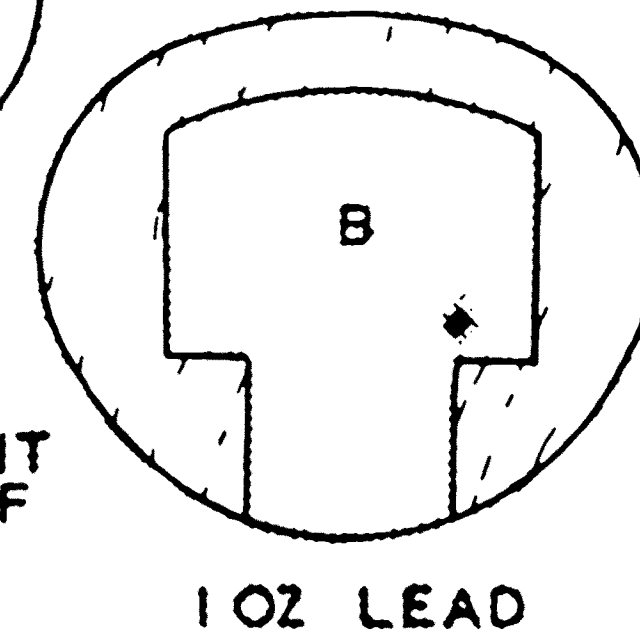
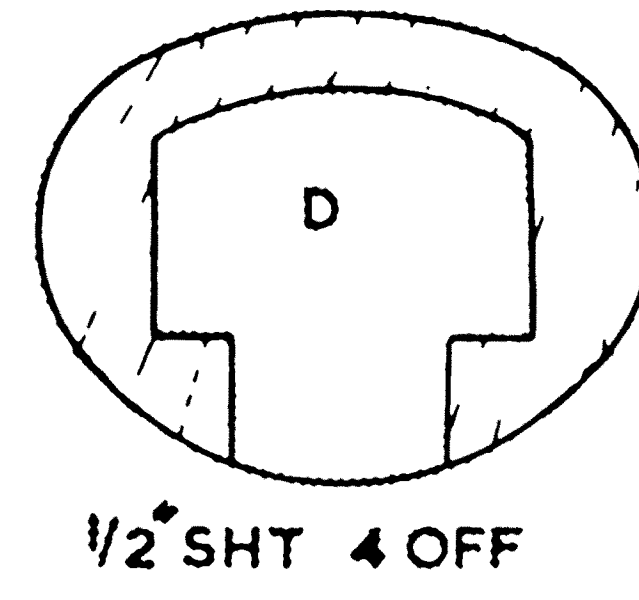
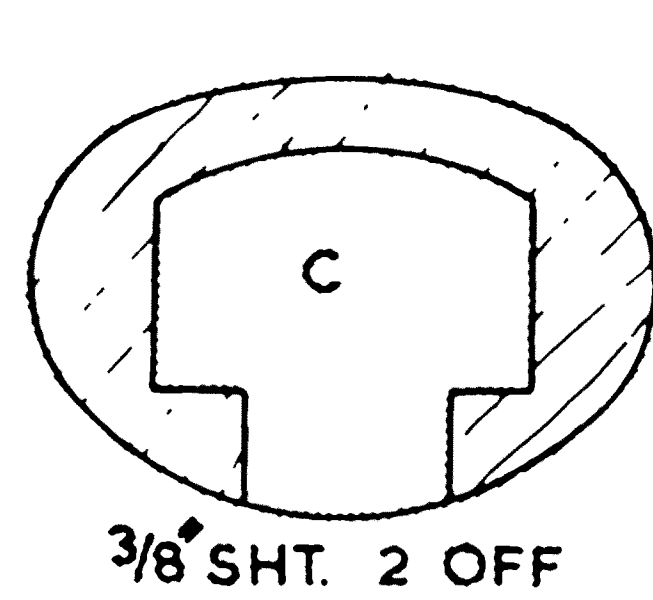
HARD Balsa NOSE BLOCK

AEROCOMMANDER
560
M A 286 A.D KINGSWOOD 7/6
SHT I SPAN 42" LENGTH 33"
COPYRIGHT MODEL AIRCRAFT
19 20 NOEL ST. LONDON W1

H.E.

COVER WING WITH $1/16$ " SHT.

ENGINES 1.5 - 2.5 CC



AEROCOMMANDER
M A 7/6 560
286 A D KINGSWOOD
SHT 2
COPYRIGHT MODEL AIRCRAFT
19.20 NOEL ST. LONDON W1