

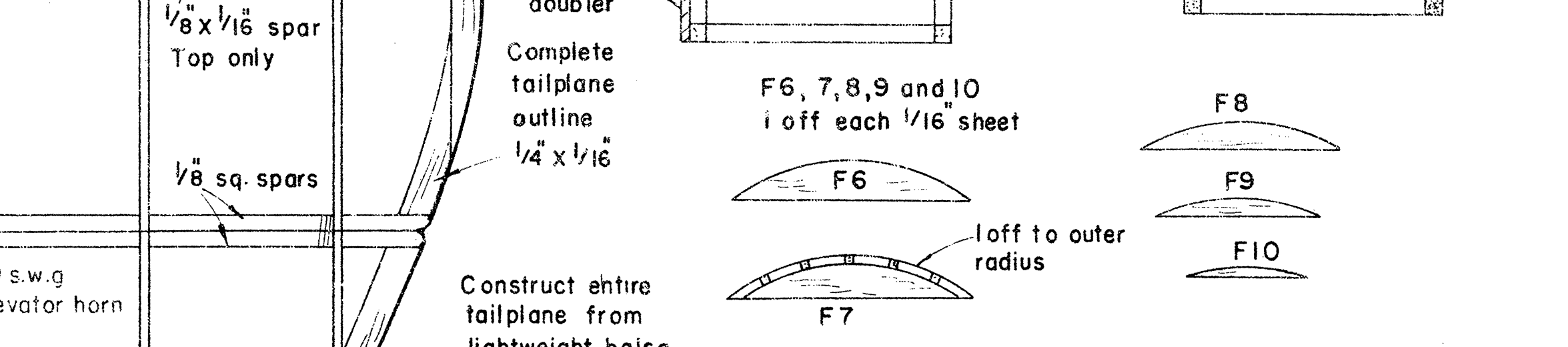
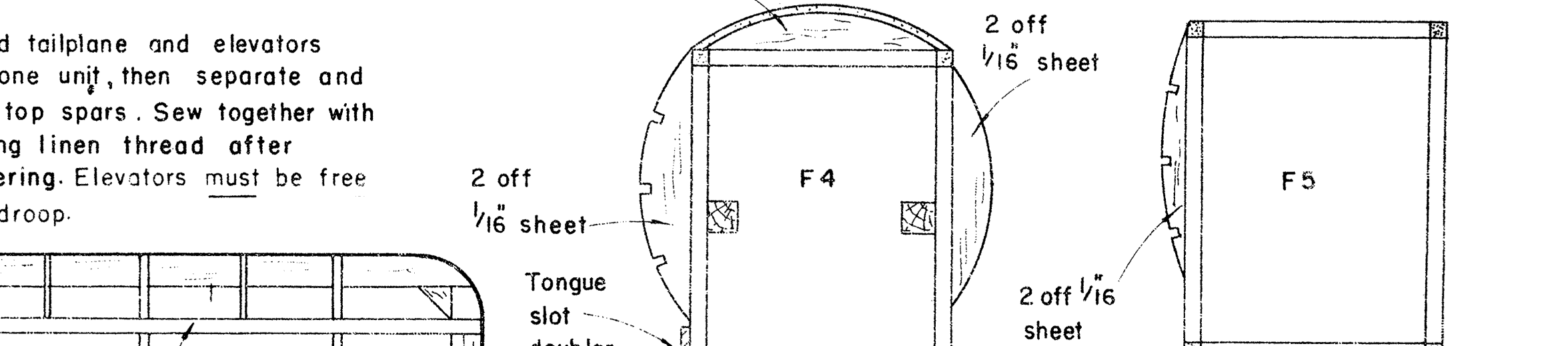
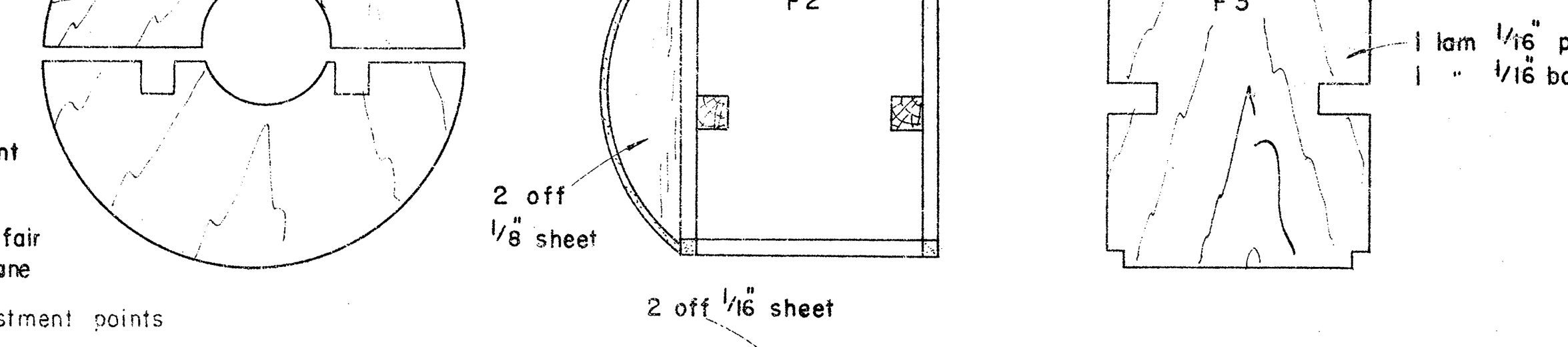
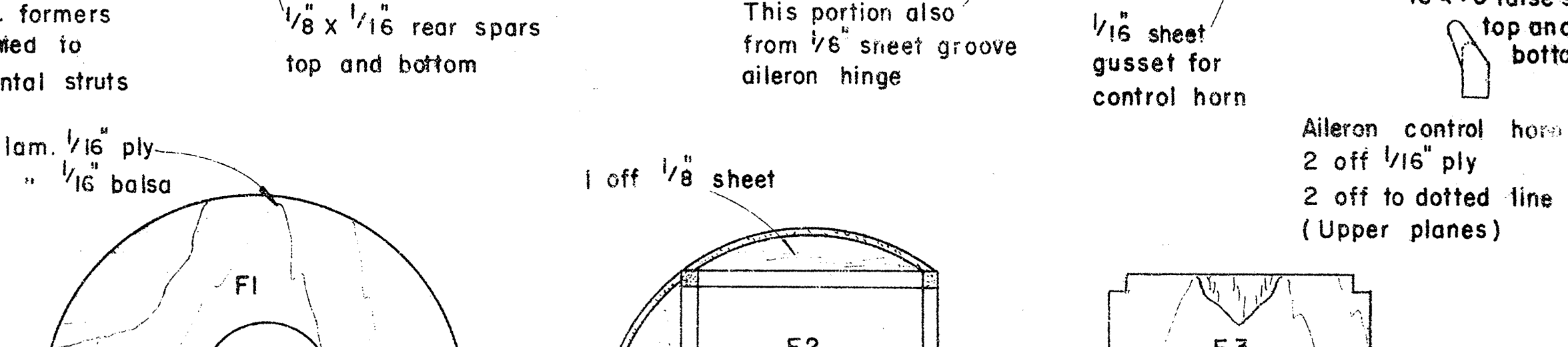
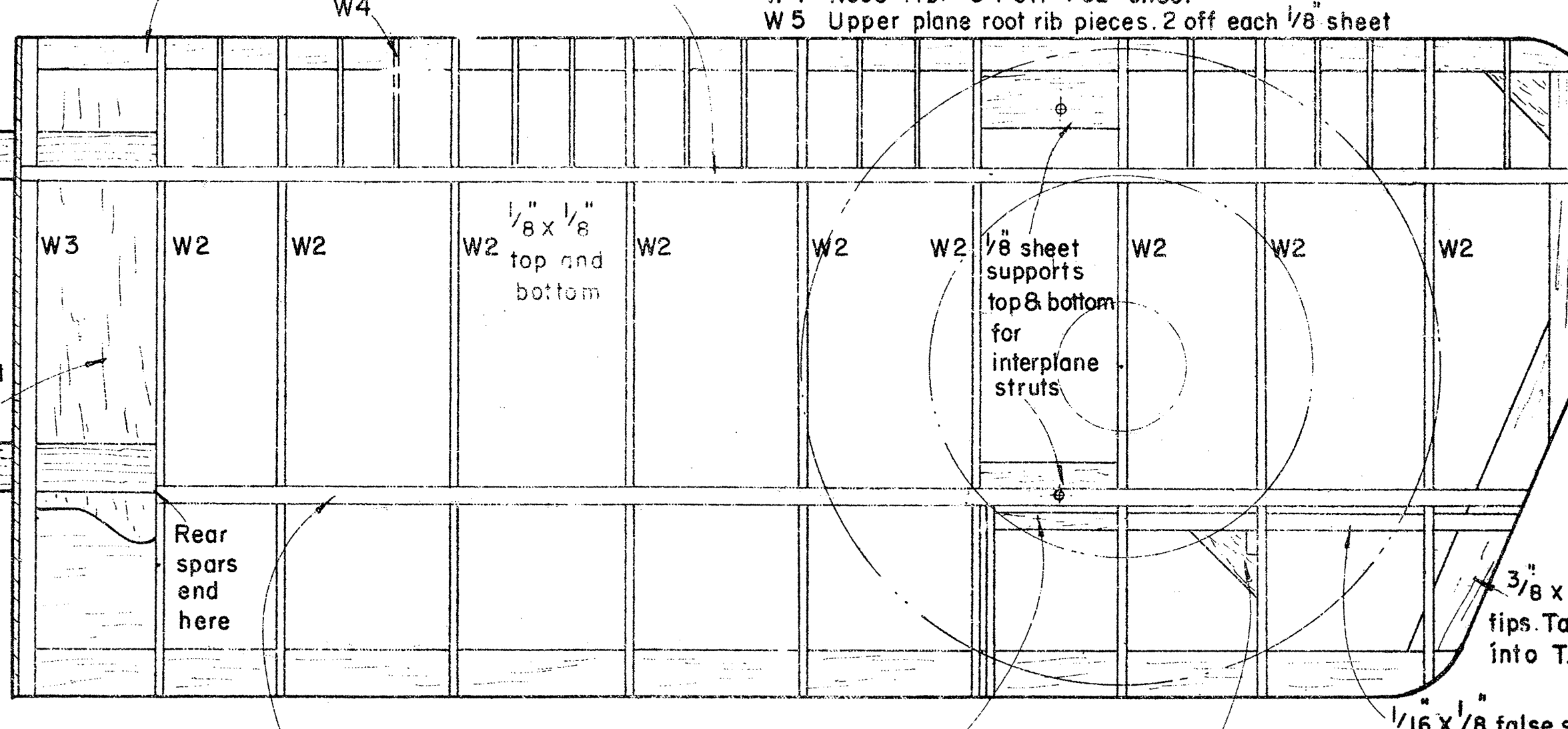
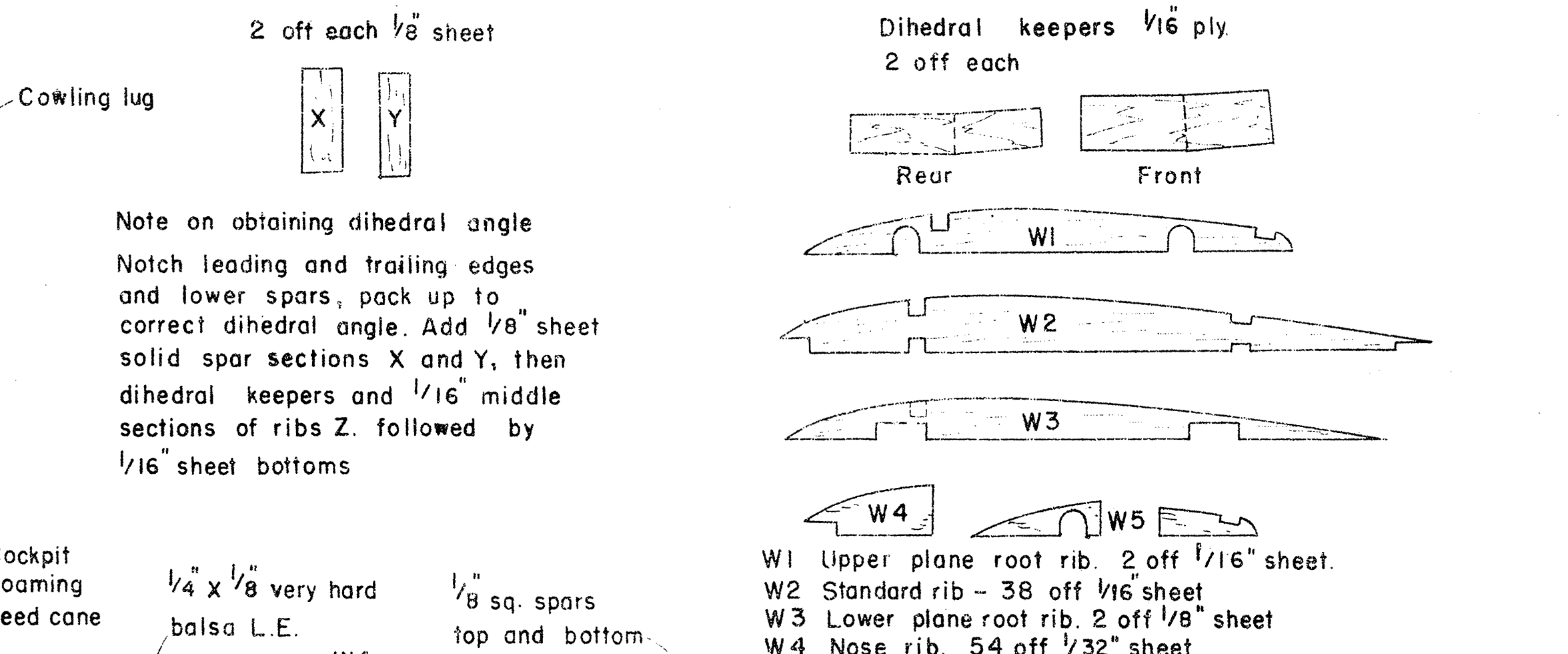
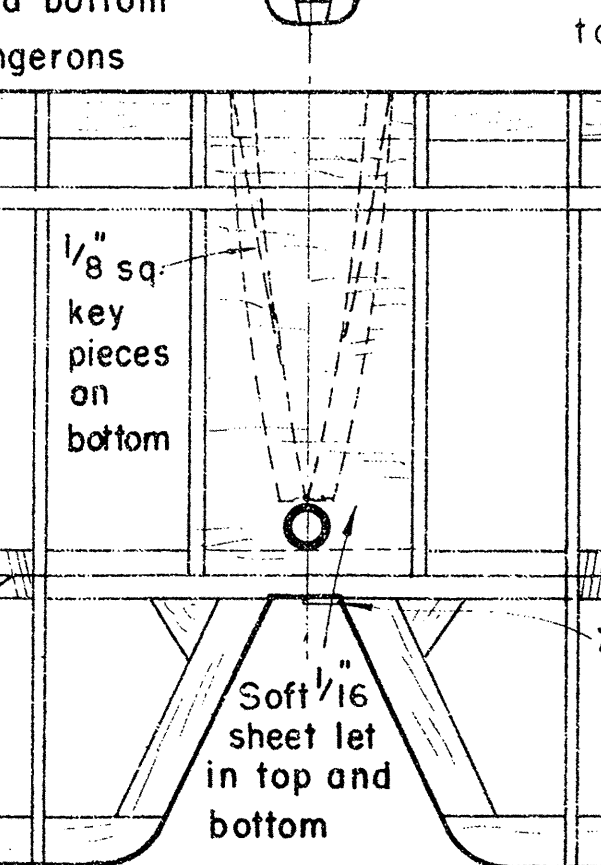
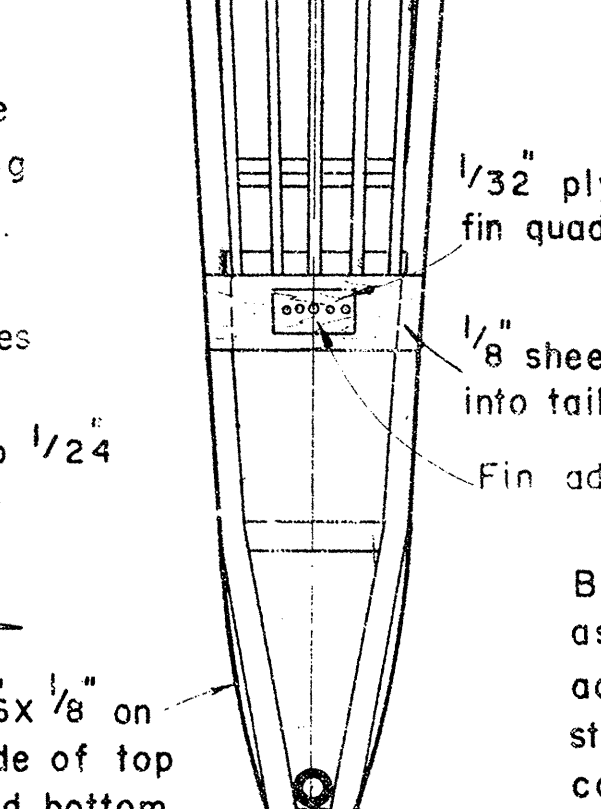
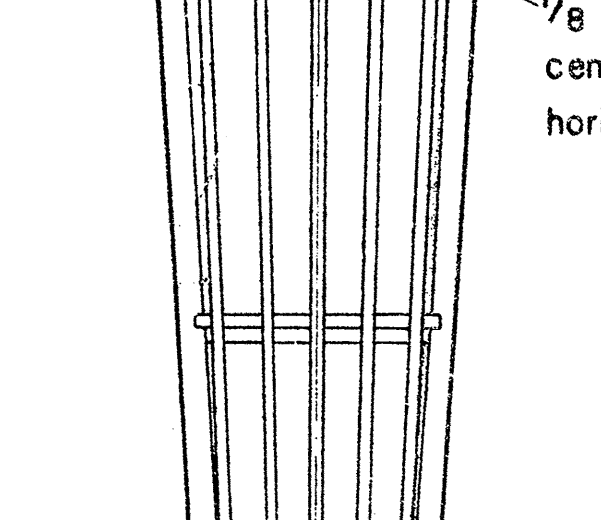
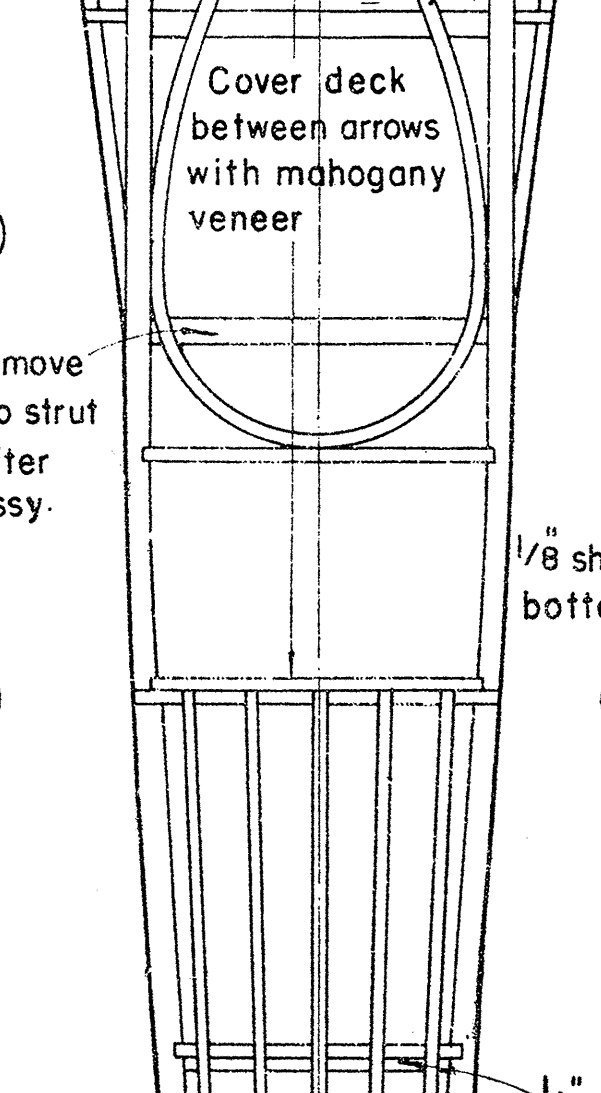
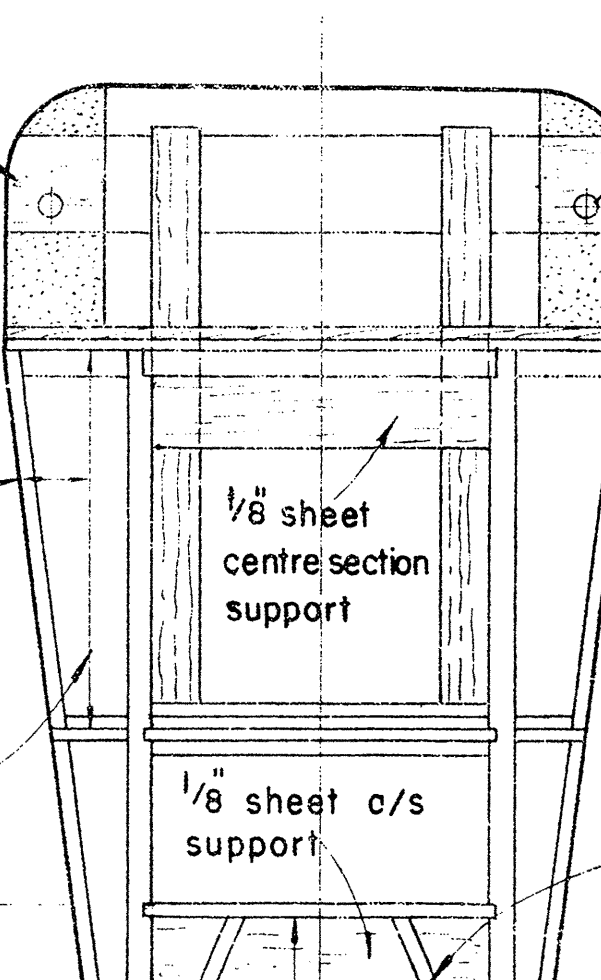
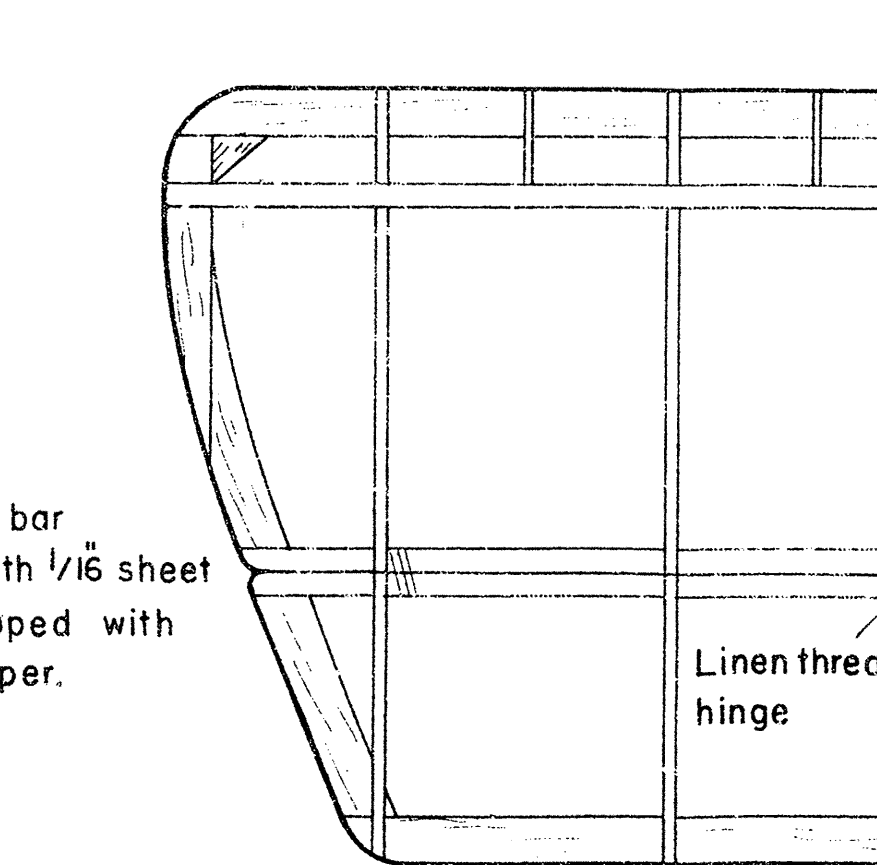
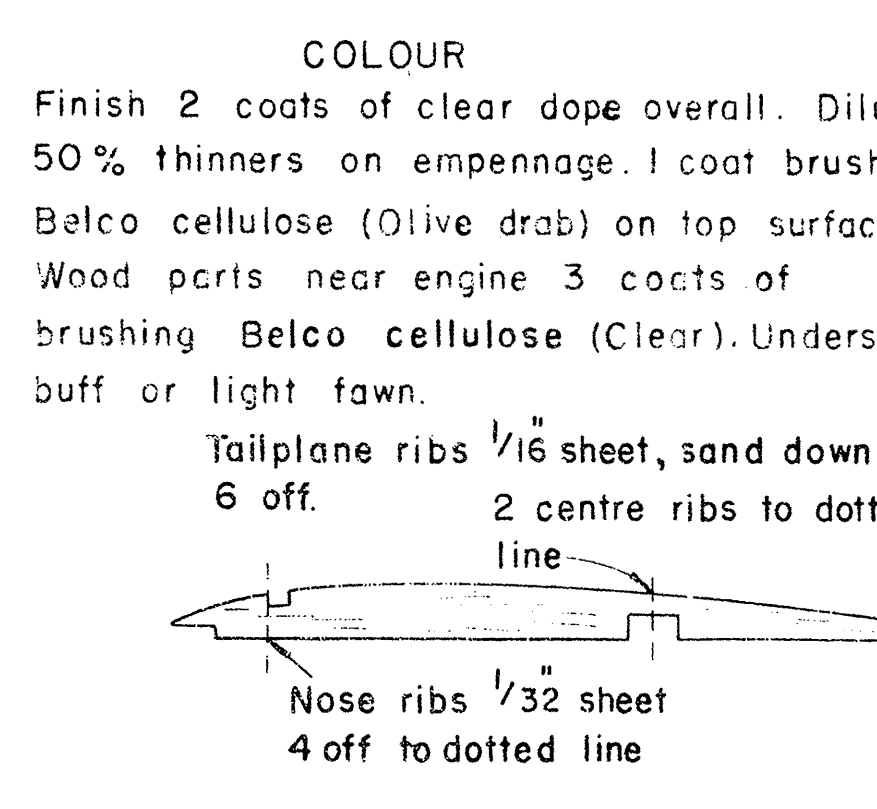
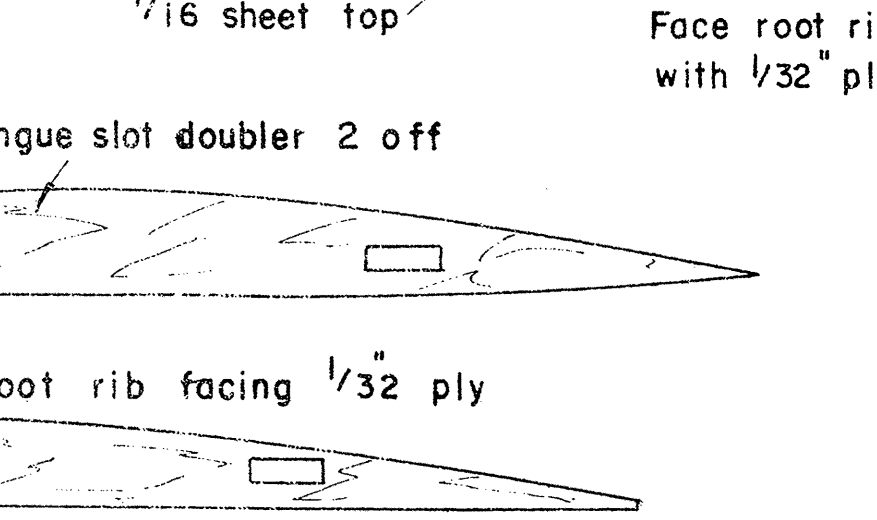
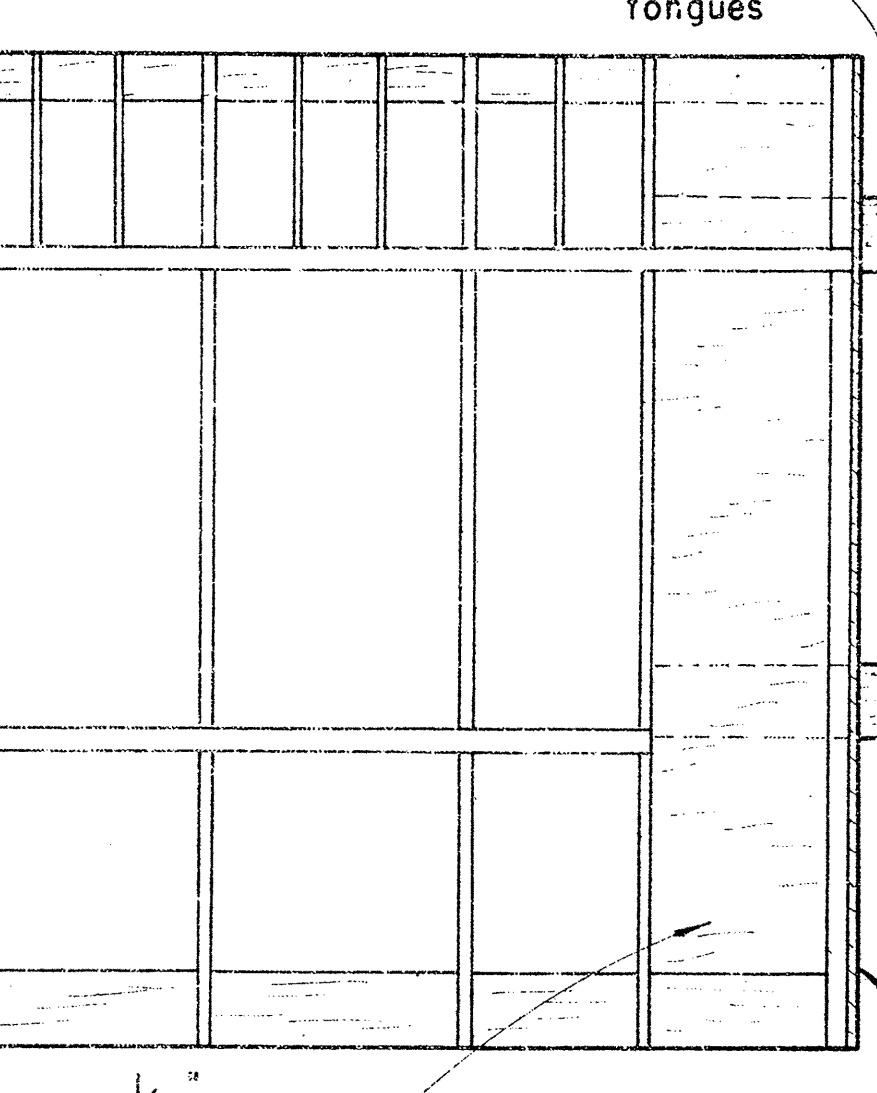
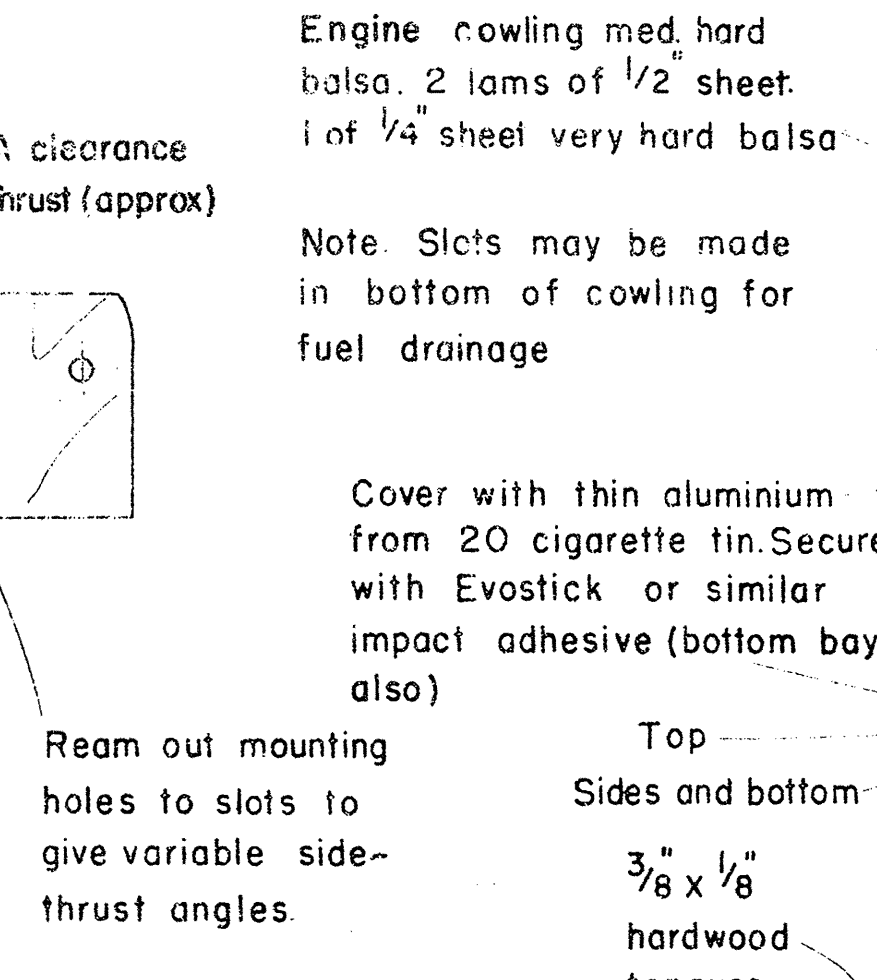
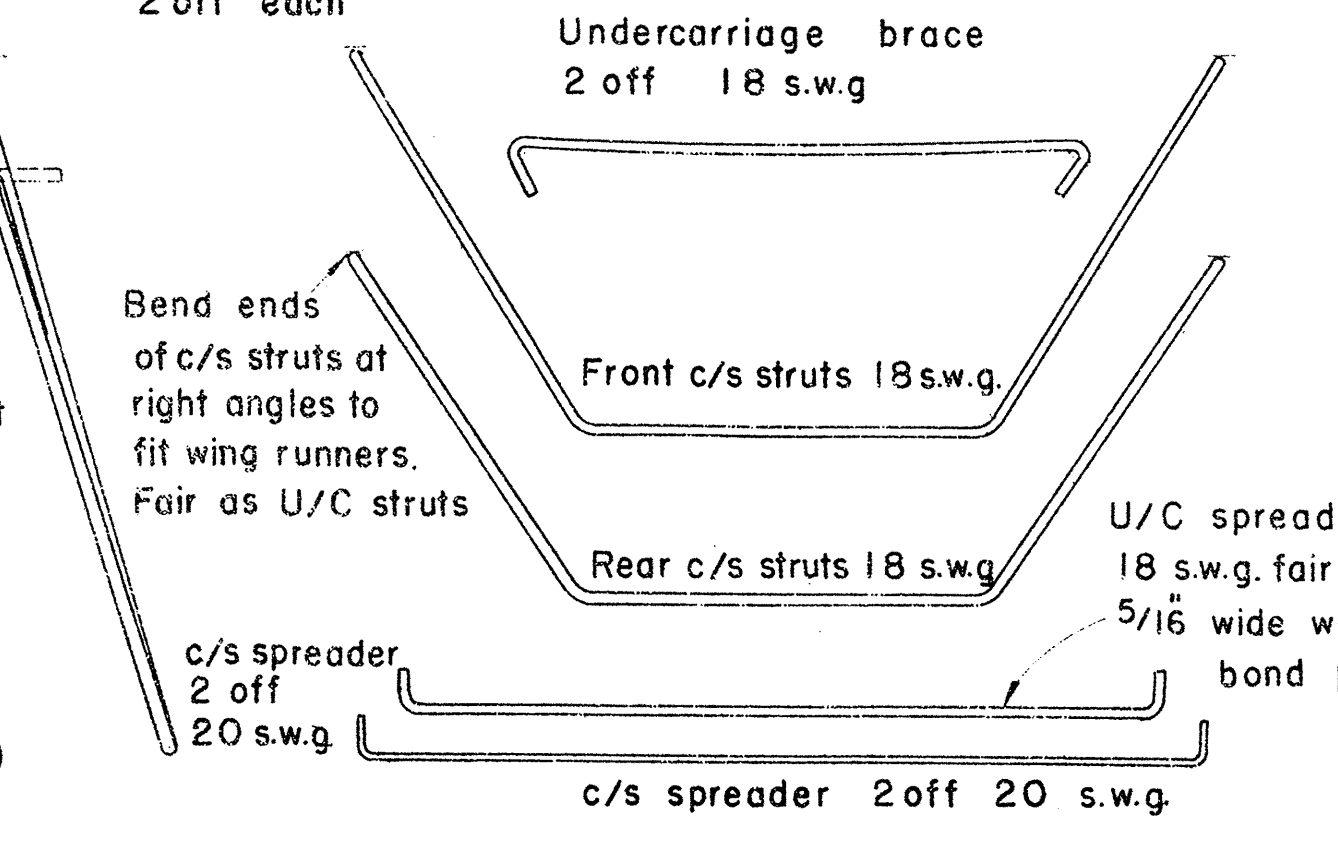
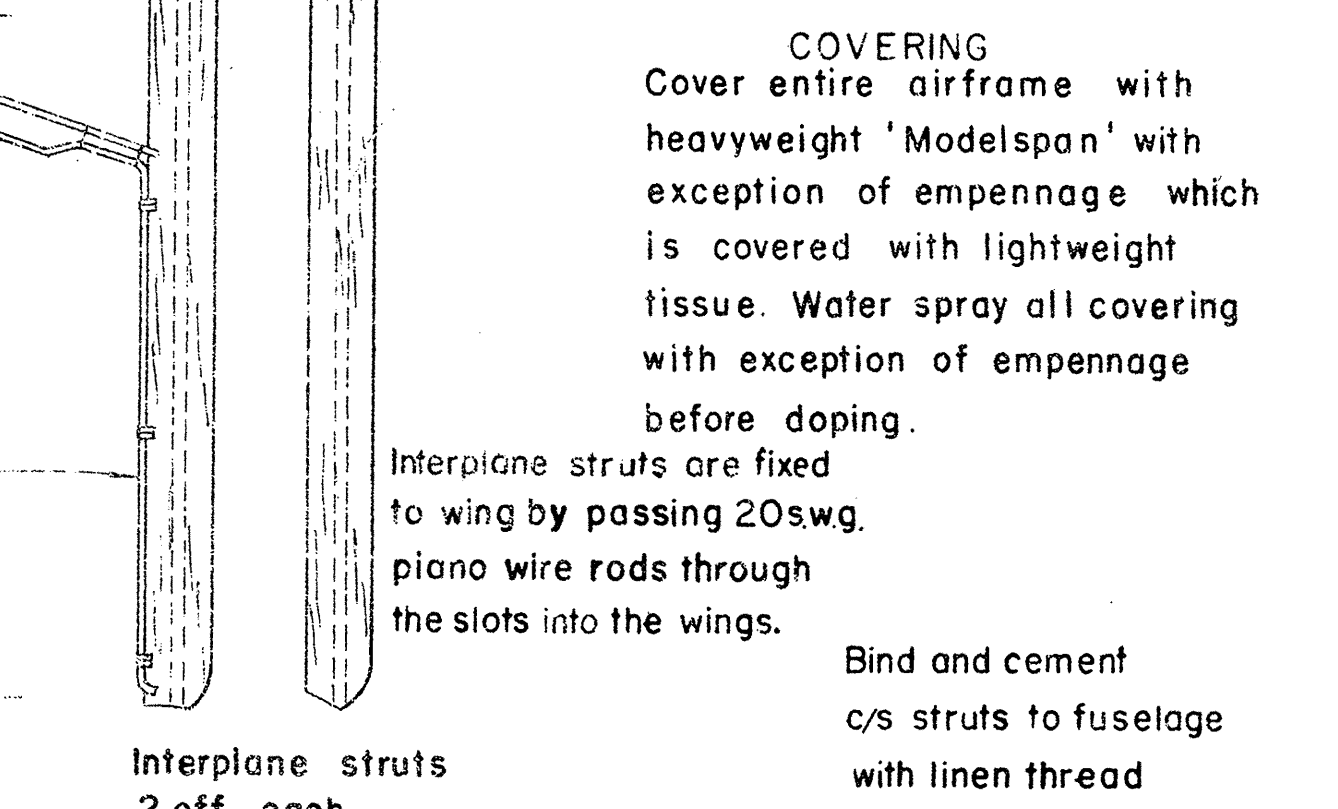
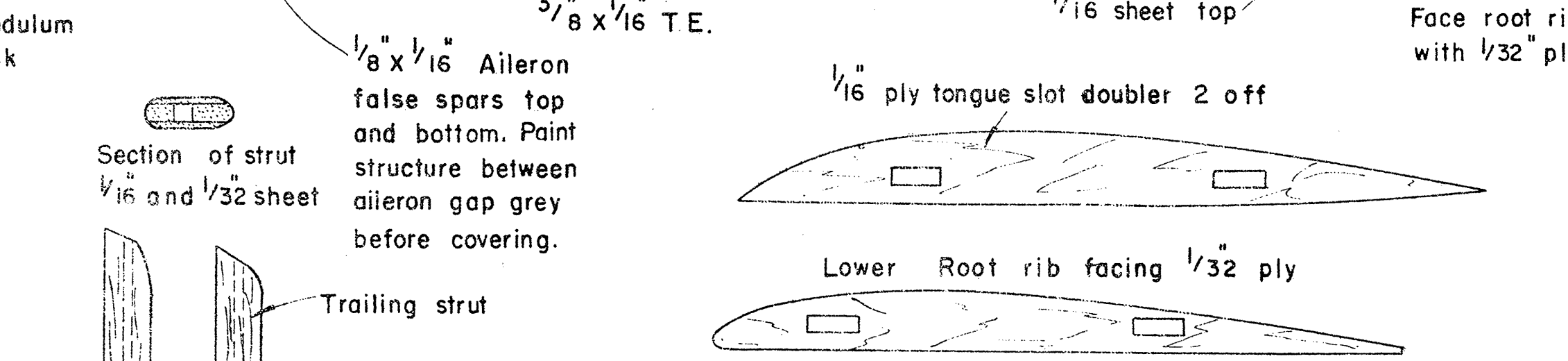
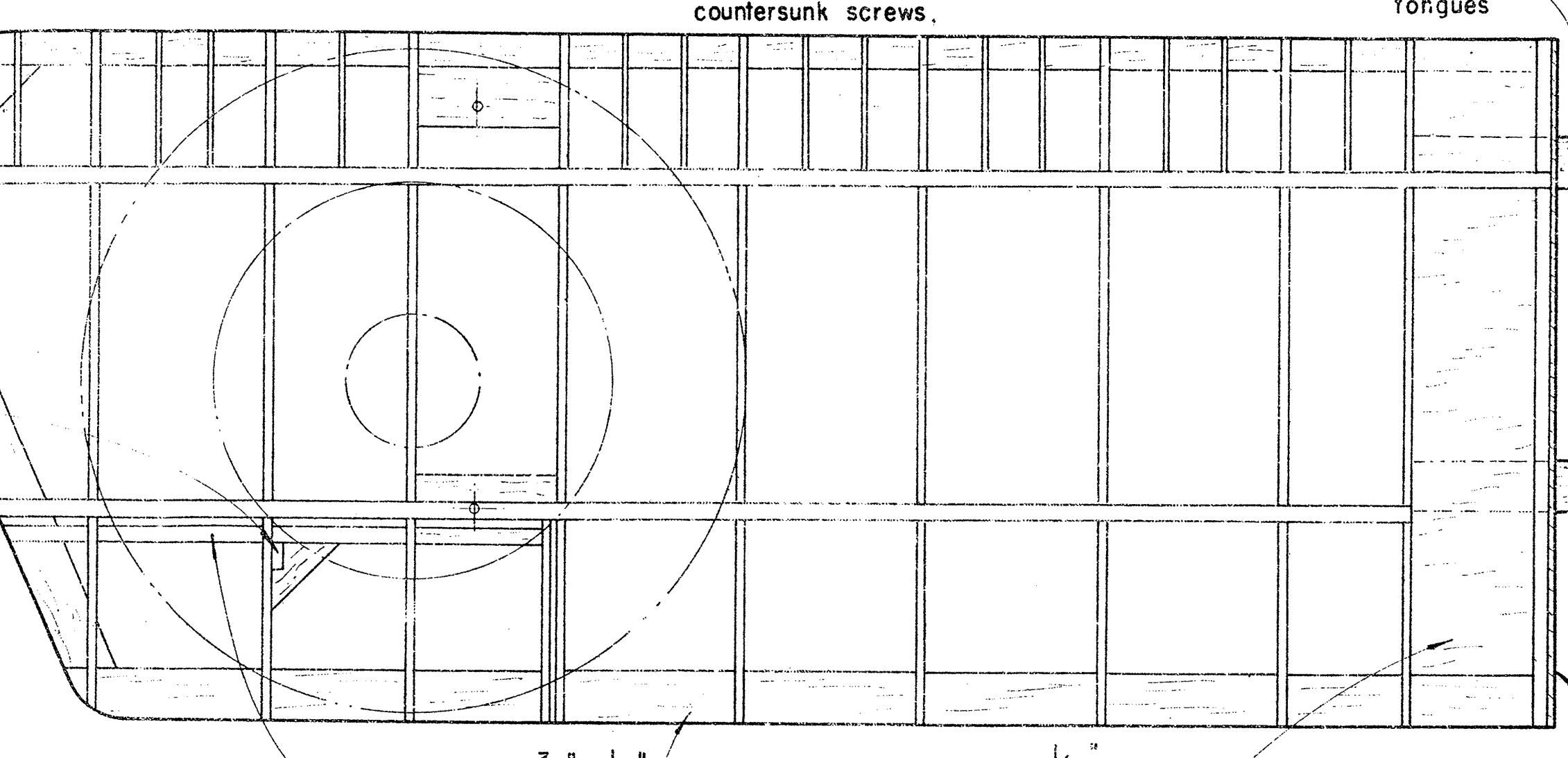
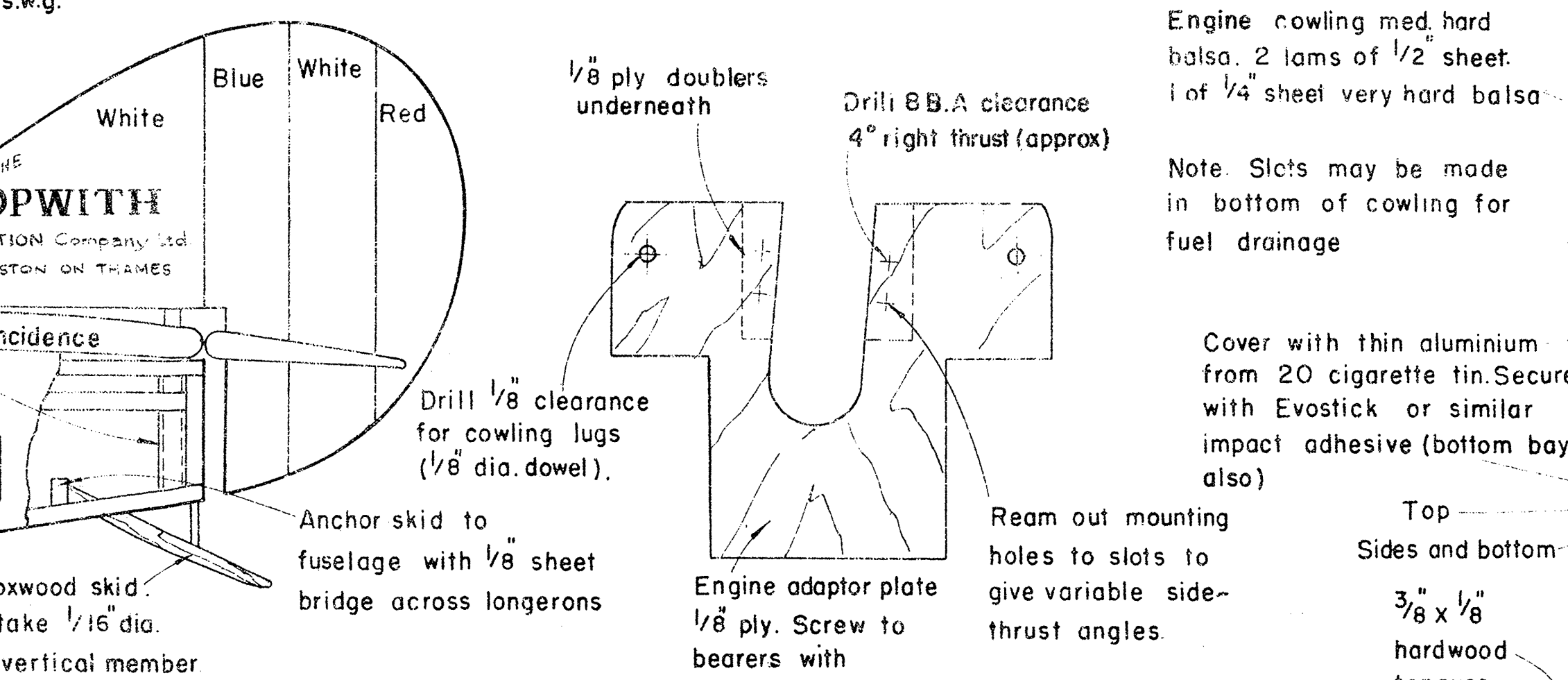
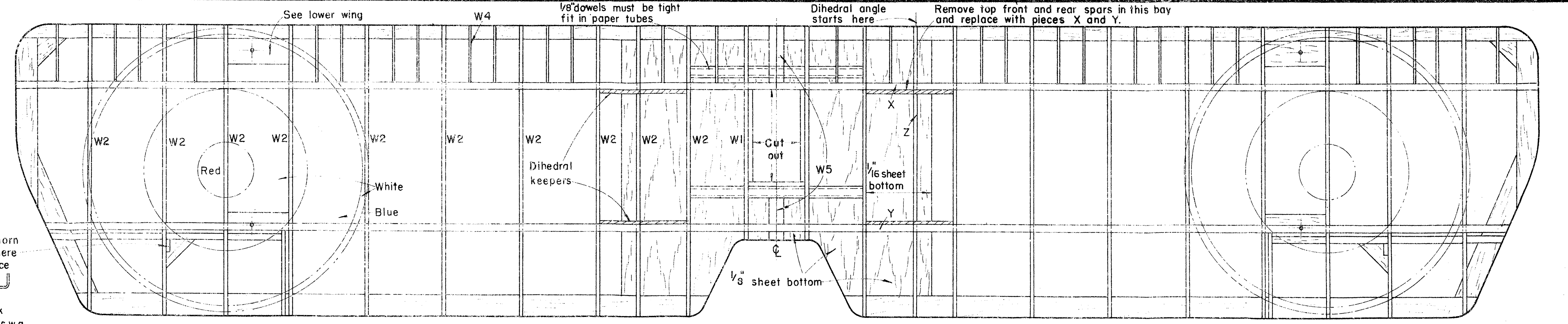
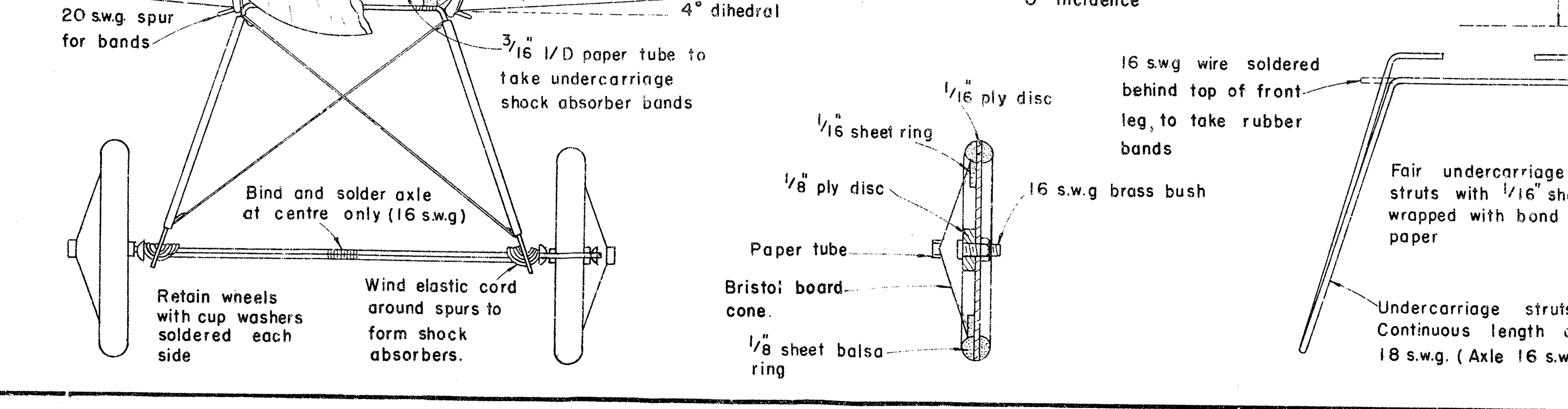
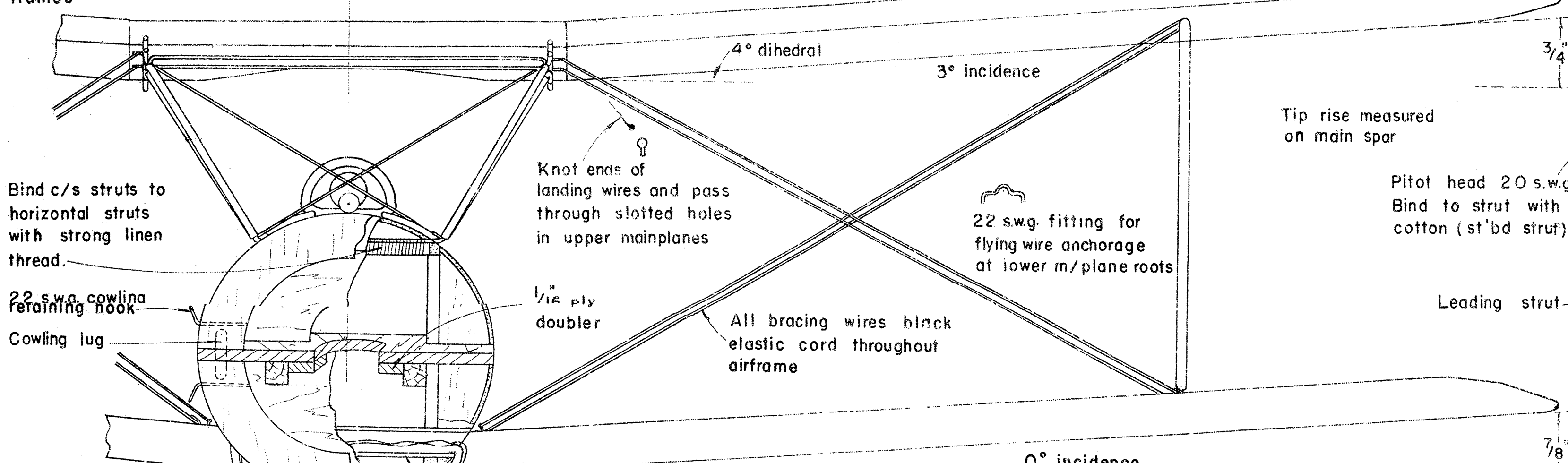
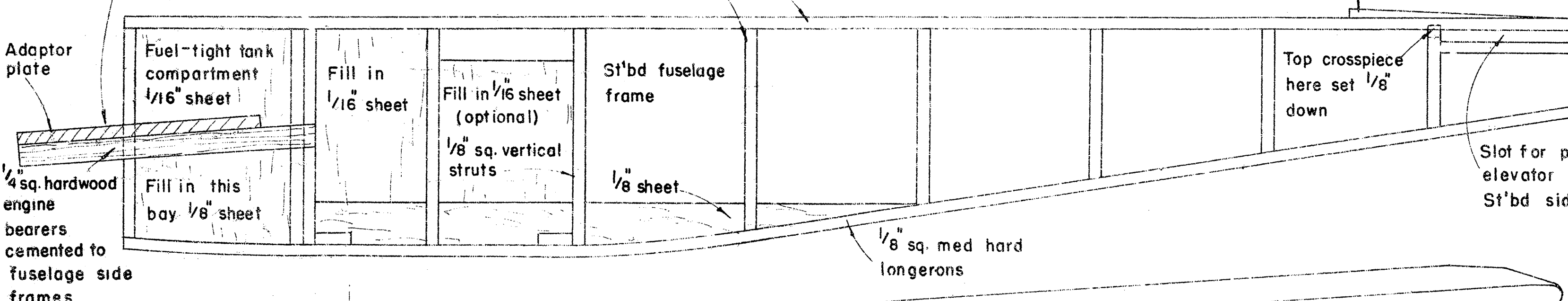
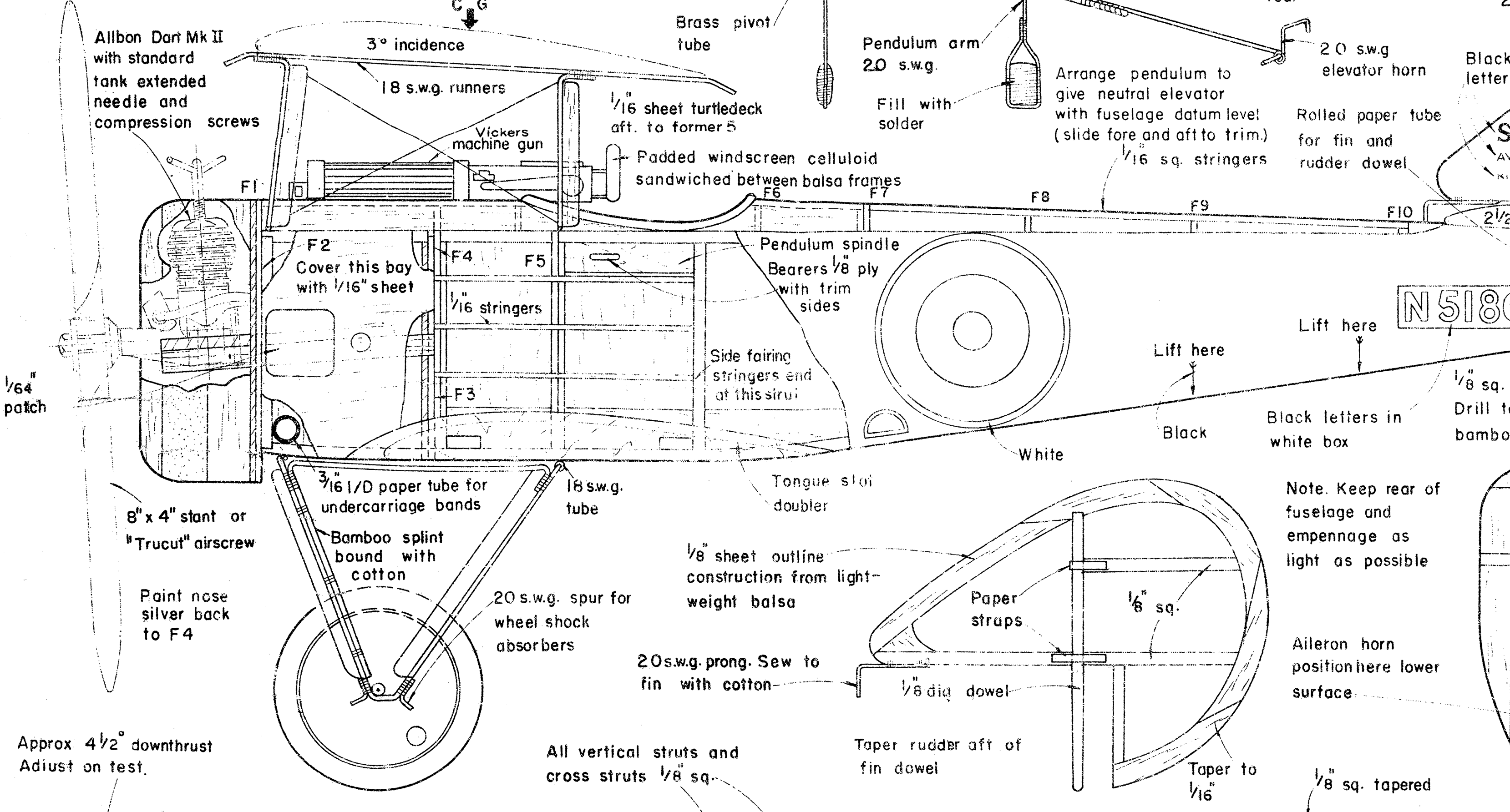
SOPWITH PUP
 ONE-TWELFTH SCALE
 DESIGNED BY
K. McDonough
 COPYRIGHT OF
THE AEROMODELLER PLANS SERVICE
 38, CLARENDON RD., WATFORD, HERTS.

Materials Required

10 strips of 1/8" x 1/8" x 36" balsa	6" x 6" of 1/16" ply
7 " 1/8" x 1/16" x 36"	6" x 6" 1/32"
3 " 1/16" x 1/16" x 36"	6" of 18 s.w.g. brass tubing
2 " 1/4" x 1/16" x 36"	8" 16" steel wire
2 " 3/16" x 1/16" x 36" med. hard balsa	72" 18"
2 " 1/4" x 1/8" x 36" very	36" 20"
1 sheet 1/32" x 3" x 36"	36" 22"
3 " 1/16" x 3" x 36"	Cup washers
2 " 1/8" x 3" x 36"	10 B.A. nuts and bolts
1 piece 1/4" x 4" x 6" very hard	18" of 1/16" dia. bamboo
1 " 1/8" x 3" x 12"	6" 1/8" dia. cane
1 " 1/4" x 1/4" x 8" spruce	2 off 16 s.w.g. brass bushes
12" x 1/2" x 4" soft balsa block	6" of 1/8" cowlings
6" x 3" of 1/8" ply	Thin celluloid.

ALL WOODS ARE BALSA UNLESS OTHERWISE STATED

Side cowlings and fuselage bottom between F2 and F3 and top fuselage between F2 and cockpit front covered with thin aluminium.



COVERING
 Cover entire airframe with heavyweight 'Modelspan' with exception of empennage which is covered with lightweight tissue. Water spray all covering with exception of empennage before doping.

COLOUR
 Finish 2 coats of clear dope overall. Dilute 50% thinner on empennage. 1 coat brushing Belco cellulose (Olive drab) on top surfaces. Wood parts near engine 3 coats of brushing Belco cellulose (Clear). Undersides buff or light fawn.