

# SOPWITH CAMEL

designed by D.M. COLLIN.

A 28" SPAN FREE FLIGHT SCALE MODEL FOR .5 - .8cc  
(.03 - .049 cu. in. ENGINES APS CODE B AND C)

PLAN VALUE  
40p

When soldering press studs to the cobane struts use the studs on the wing to locate them in the correct position. With the two parts of each stud clipped together, tack solder the studs onto the wires, remove the wing. Then bend and solder the studs on properly.

1/16" balsa fairings, wrap to wire with tissue

3/32" sheet

Tape hinges

3/32" sheet

F.9.  
1/16" Sheet

Cut troughs in block for guns

Block outline

F.8. and Fuselage Top front block

Cut away to clear compression screw

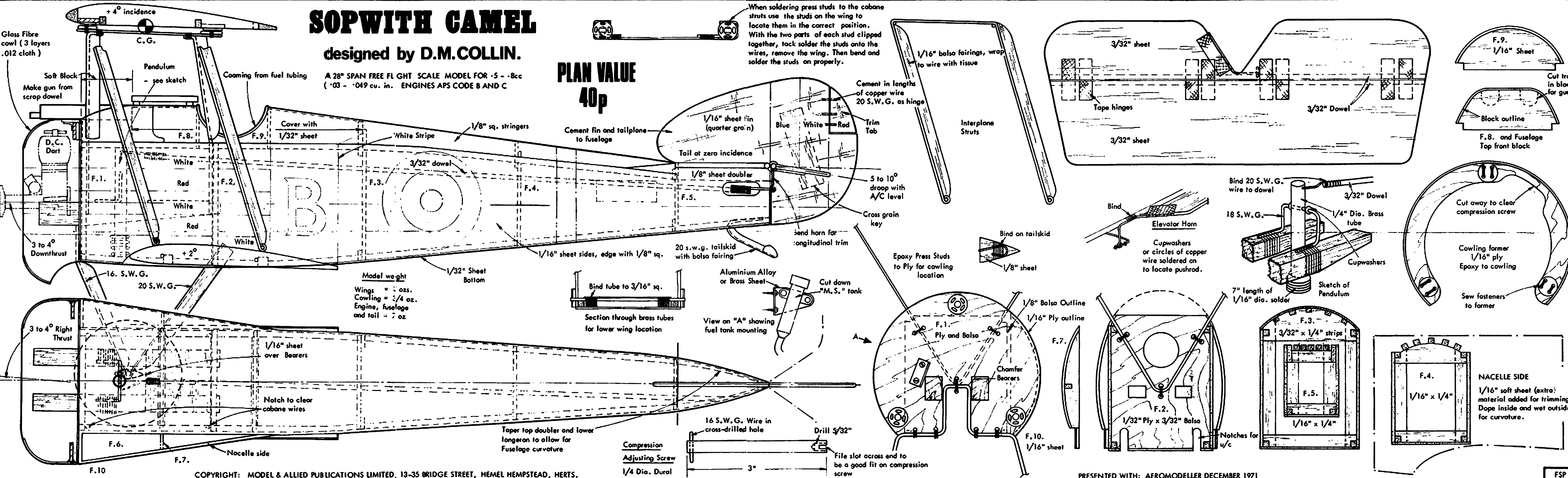
Cowling former 1/16" ply Epoxy to cowling

Sew fasteners to former

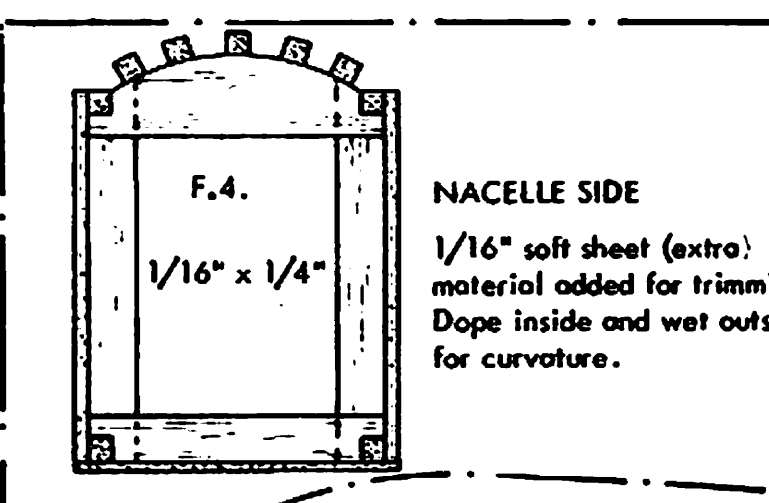
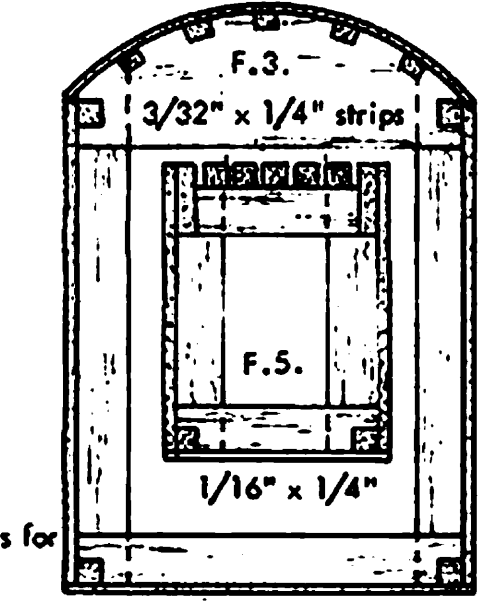
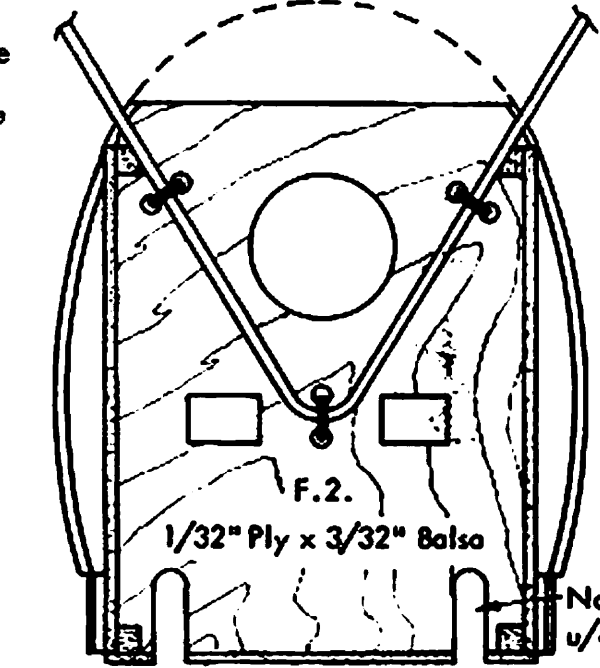
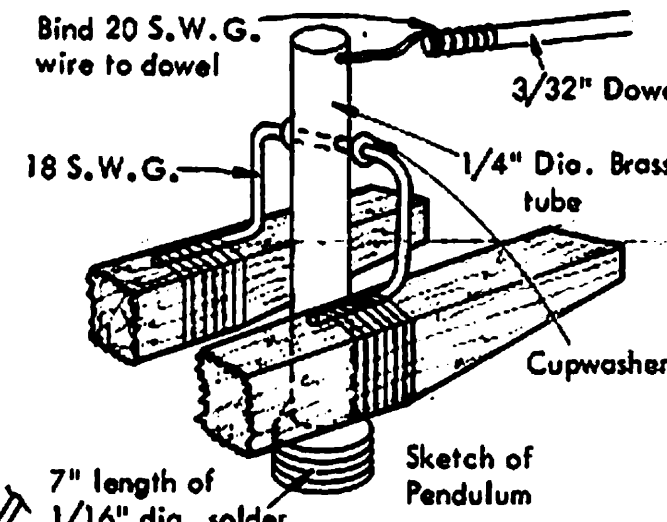
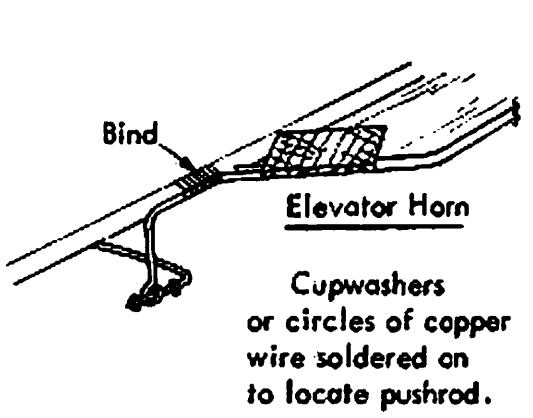
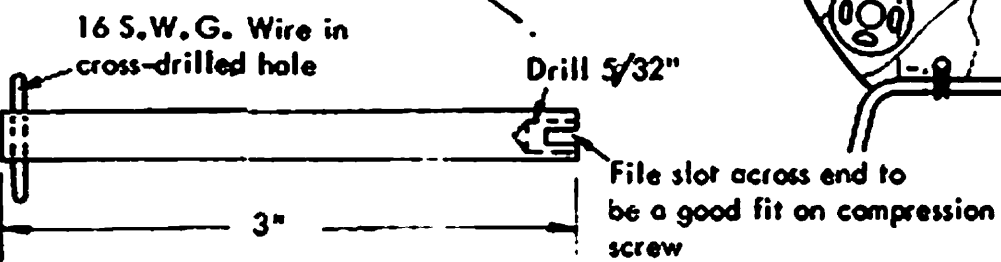
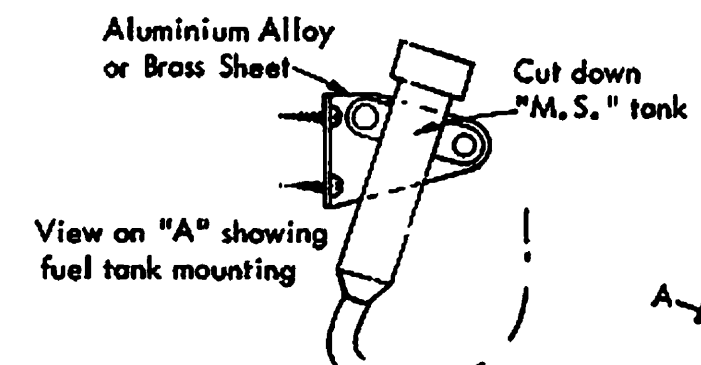
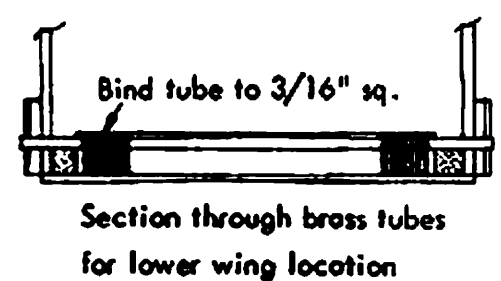
NACELLE SIDE

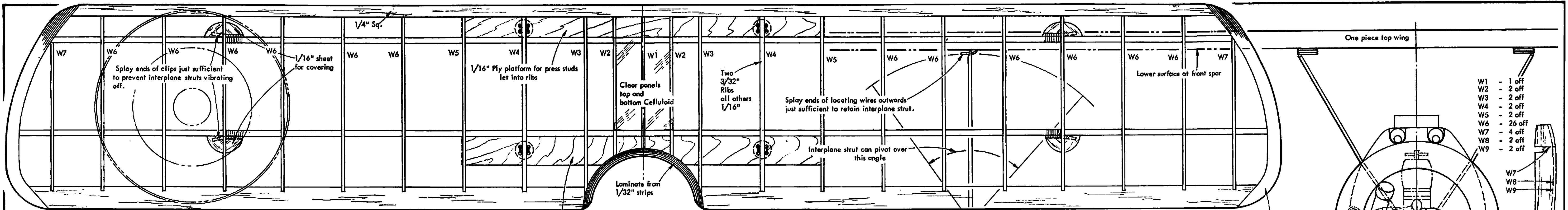
1/16" soft sheet (extra material added for trimming). Dope inside and wet outside for curvature.

FSP 1143



Model weight  
Wings = 2 ozs.  
Cowling = 3/4 oz.  
Engine, fuselage and tail = 7 oz





- W1 - 1 off
- W2 - 2 off
- W3 - 2 off
- W4 - 2 off
- W5 - 2 off
- W6 - 26 off
- W7 - 4 off
- W8 - 2 off
- W9 - 2 off

