

A 43" WINGSPAN FLYING SCALE POWER MODEL

R.E. 8

Designed by
D. R. HUGHES

Copyright of
The Aeromodeller Plans Service
THE AERODROME, STANBRIDGE, NR. LEIGHTON BUZZARD, BEDS

ALL WOODS ARE Balsa UNLESS OTHERWISE STATED

FRONT CENTRE STRUTS
18 SWG. PIANO WIRE
1/16" SHEET EACH SIDE

EXHAUST PIPES
2 OFF 3/16" SHEET

1/8" x 1/16" BAMBOO
WING RUNNERS

MOUNTING FOR
LEWIS GUN
16 SWG

WHOLE FUSELAGE IS COVERED
WITH 1/32" SHEET GRAINITY
IS OMITTED FOR CLARITY

SPECIAL NOTE: THE FIRST CYLINDER ON EACH SIDE OF THE COWLING COINCIDES WITH THE EXHAUST PORTS OF THE ACTUAL POWER UNIT (SEE C5) THE TOP OF THIS (C9) IS THEREFORE SPLIT THUS TO ALLOW EXHAUST TO ESCAPE

REAR CENTRE STRUTS
18 SWG

SERVICING DOOR CUT THIS
AFTER SHEETING WITH 1/32"
& ADD 1/8" SHEET THUS

1/16" DIA BAMBOO
PEG

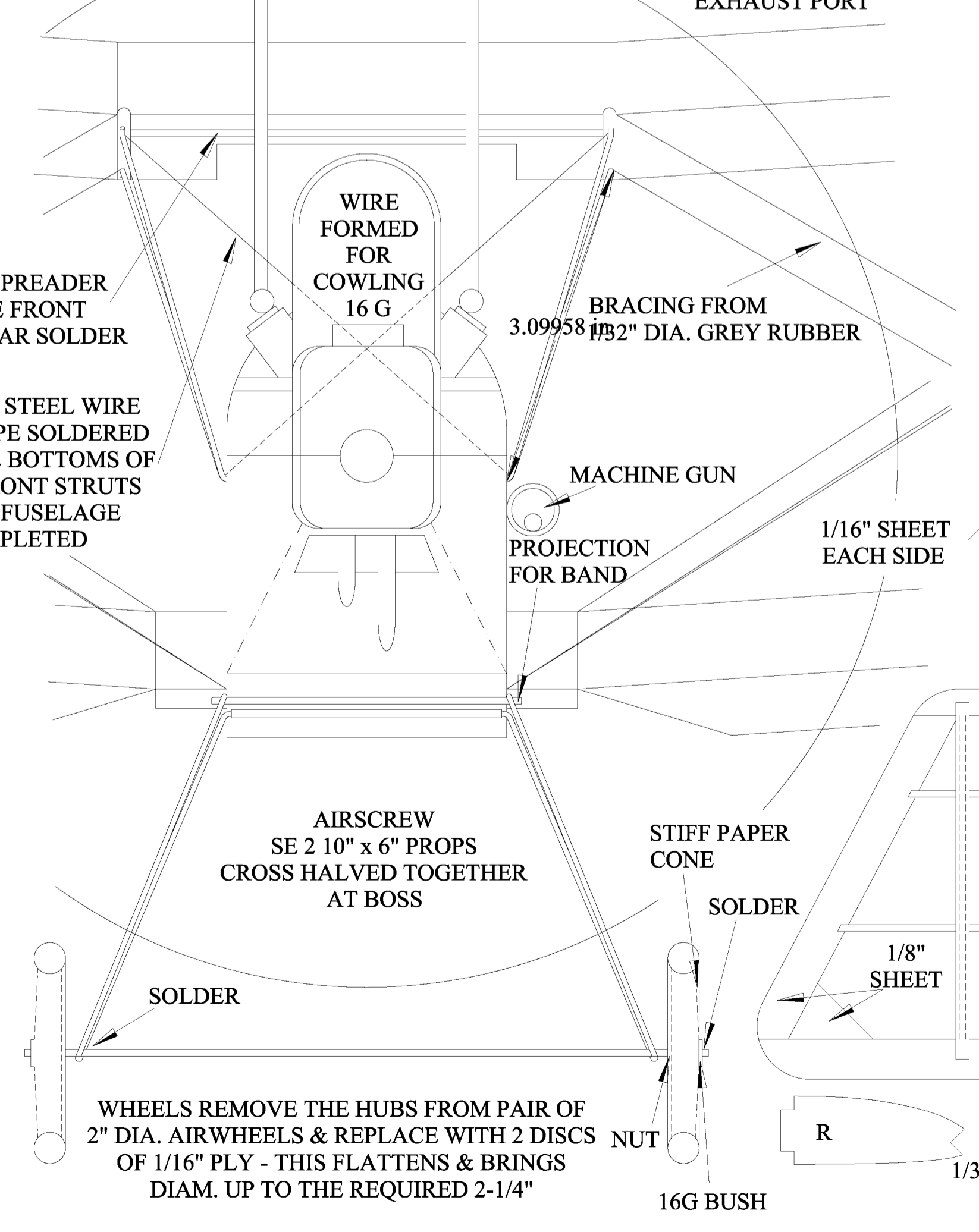
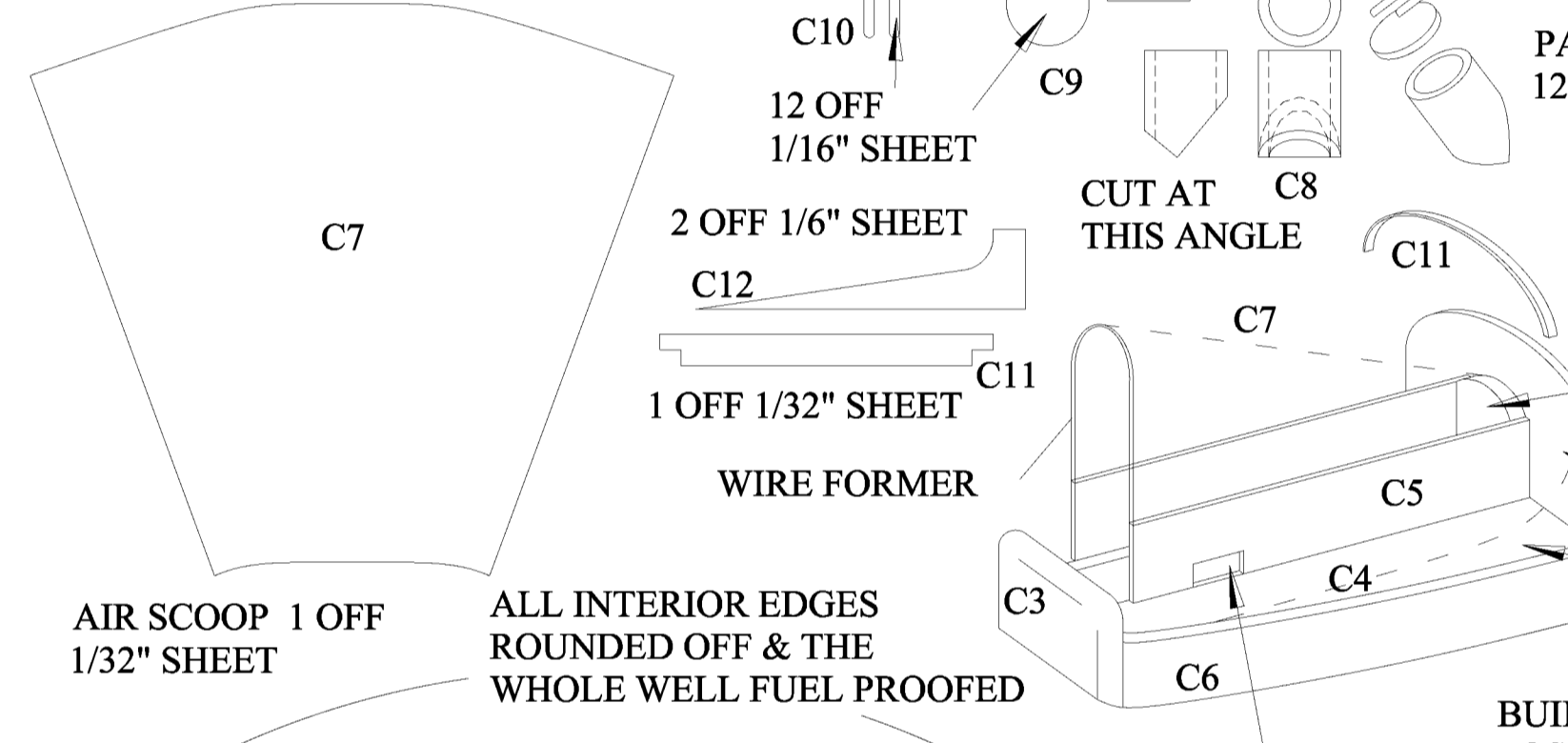
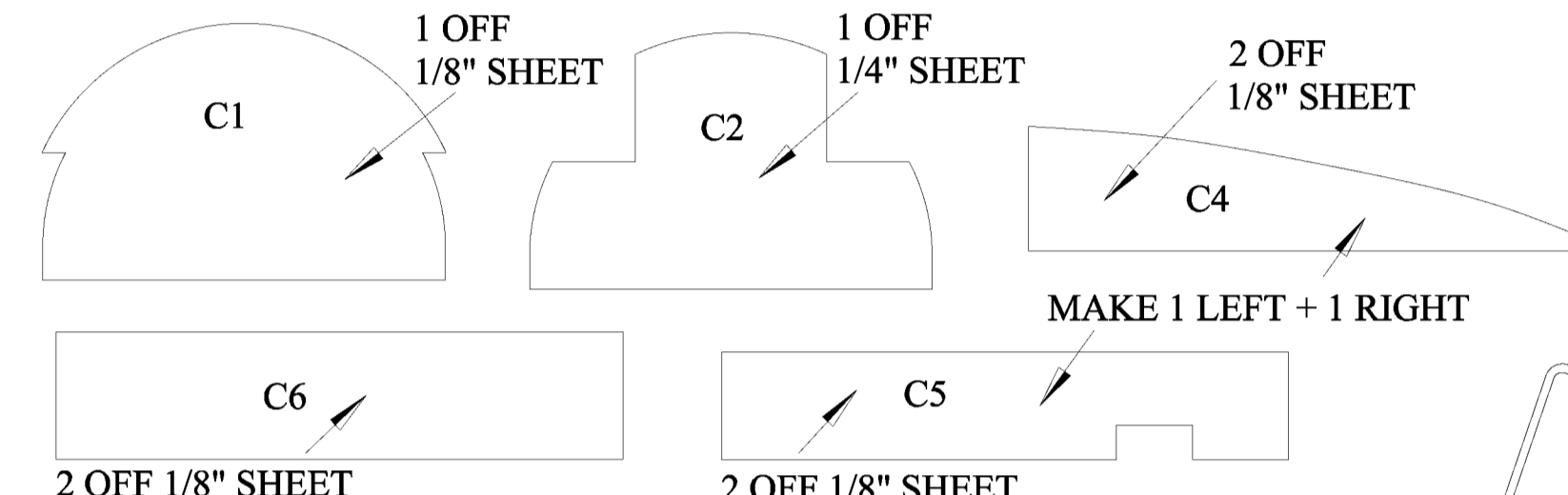
BRASS TUBE 18 G 1/D BOUND
TO 1/8" x 1/2" CROSSPIECE

LONGERONS AND
SPACERS ALL
3/16" SQ.

1/4" SHEET

PIN OR 20G WIRE ON
BOTTOM OF SKID TO
SAVE WEAR

COWLING DETAILS



INTERPLANE STRUTS 18 SWG
MAKE 2 RIGHT AND 2 LEFT
(AS FRONT VIEW)

