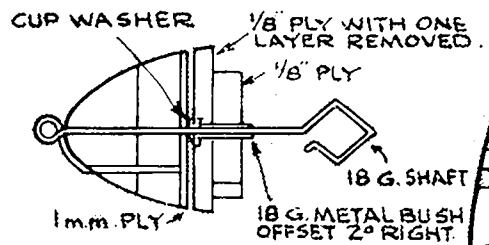


12" SPAN FLYING SCALE
"HAWKER TYPHOON"
 DESIGNED BY
R. COLEMAN

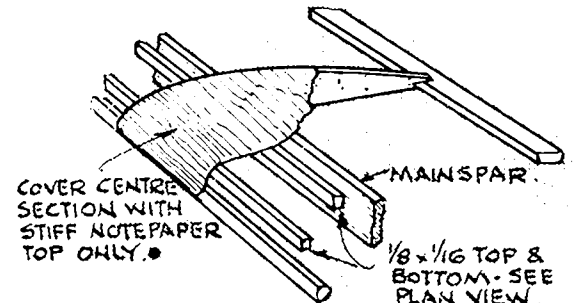
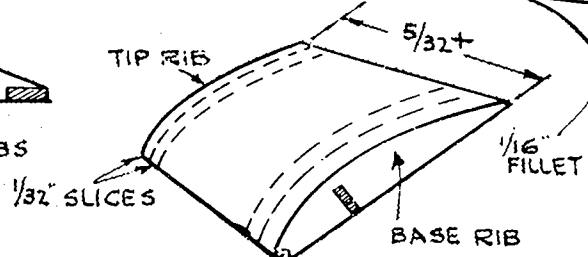
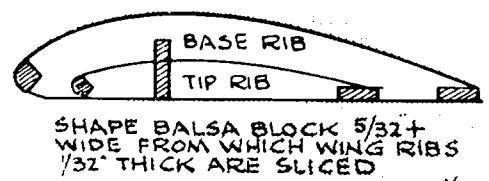
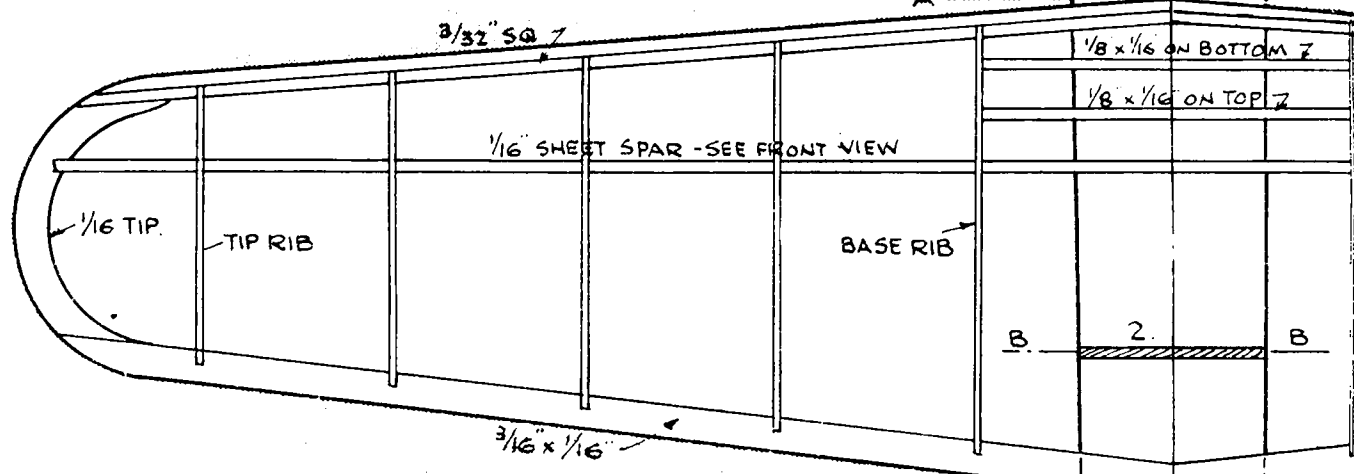
SCALE: FULL SIZE



WEIGHT BOX PARTS
 A

WEIGHT BOX OF 1/16" Balsa & PIECE OF 1/8" FOR FILLING HOLE

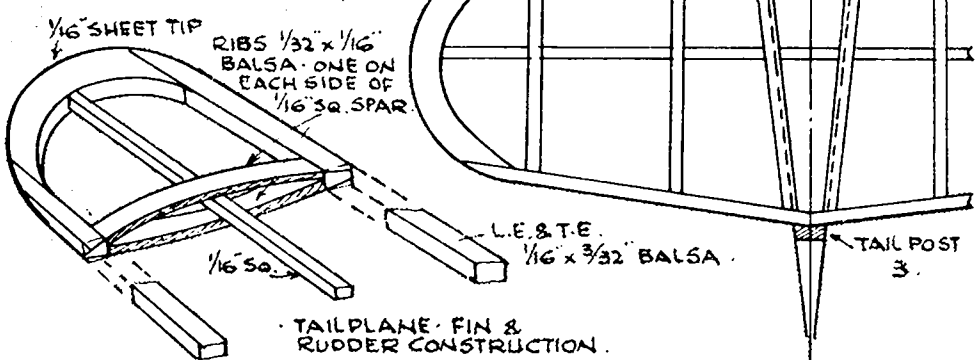
POWER: 4 STRANDS OF 1/8" RUBBER 13" LONG.



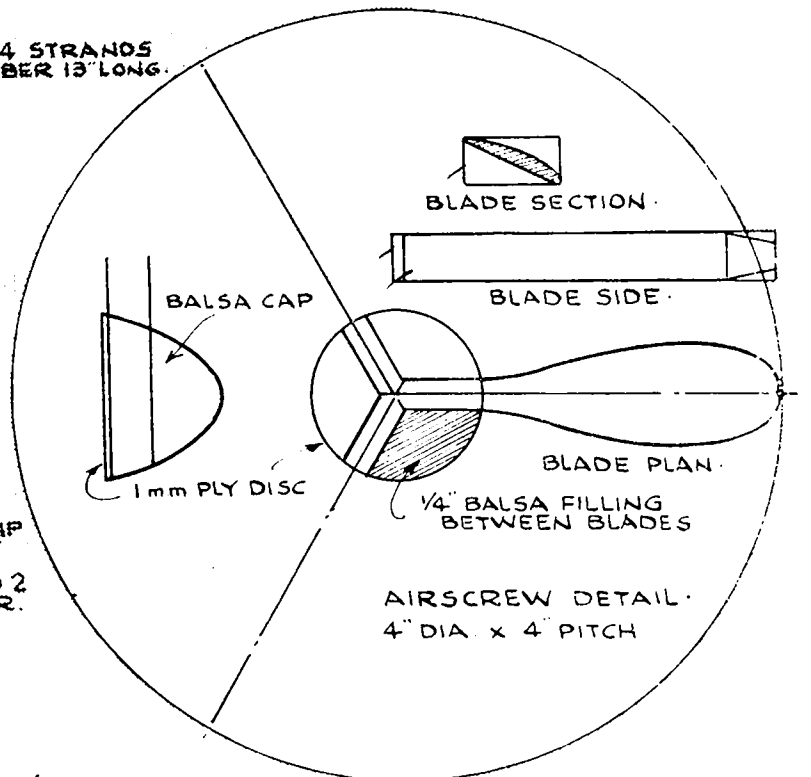
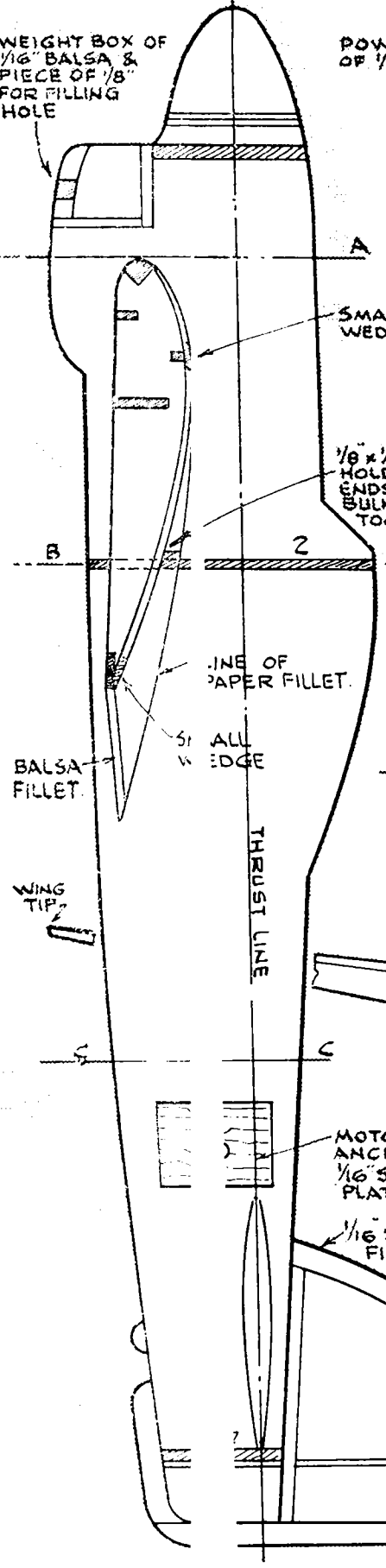
COVER WINGS, FIN & RUDDER JAP TISSUE AFTER FITTING TO FUSELAGE, BUT TAIL PLANE BEFORE - HAND - SPRAY WITH WATER & WHEN DRY GIVE ONE COAT OF DOPE THEN TWO OF CAMOUFLAGE COLOURS.

SKETCH OF WING CENTRE SECTION

NO UNDERCARRIAGE WAS FITTED ON THE ORIGINAL, BUT IT IS ADVISABLE TO FIT ONE FOR INDOOR & ROUND THE POLE FLYING.



TAIL PLANE, FIN & RUDDER CONSTRUCTION



SEE JULY 1943 AEROMODELLER - "AEROPLANES DESCRIBED VI" FOR FULL DETAILS OF COLOURING & CAMOUFLAGE OF THE FULL SIZE TYPHOON. THIS DRAWING GIVES ONLY MODEL CONSTRUCTION DETAILS - "EXTRAS" SUCH AS EXHAUST MANIFOLD, RADIO MAST, ETC., & FINISH ARE OPTIONAL.

