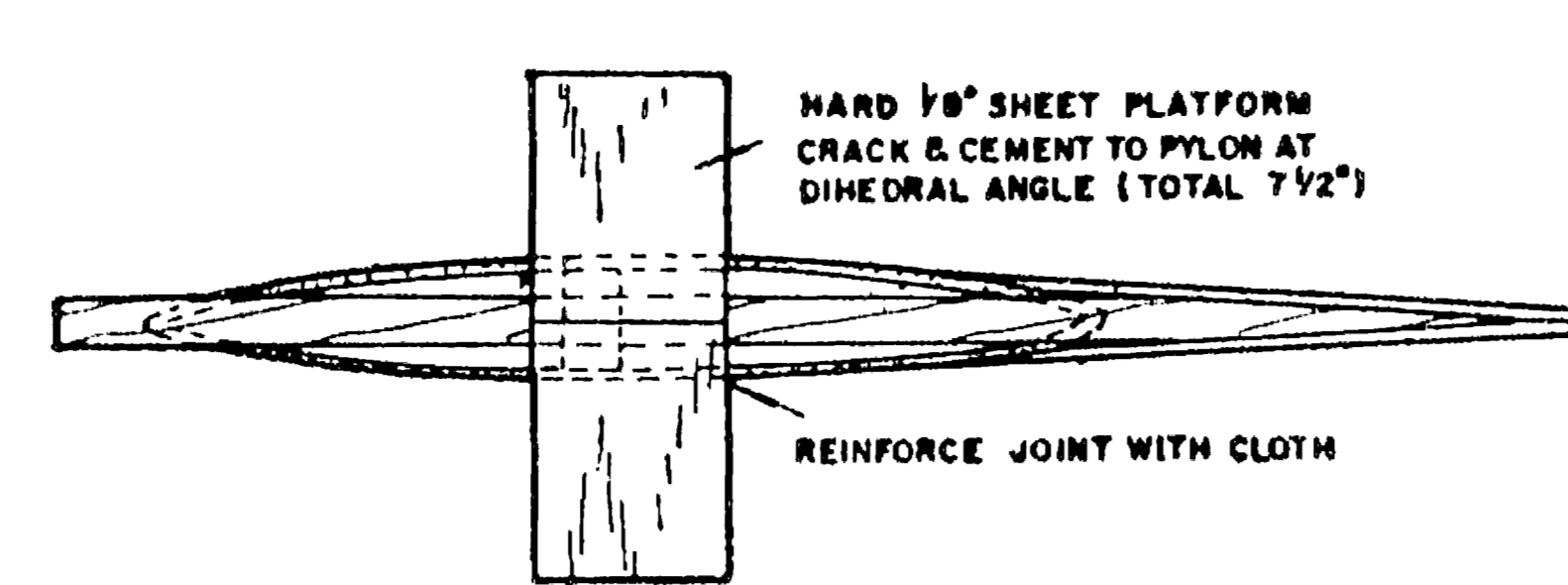
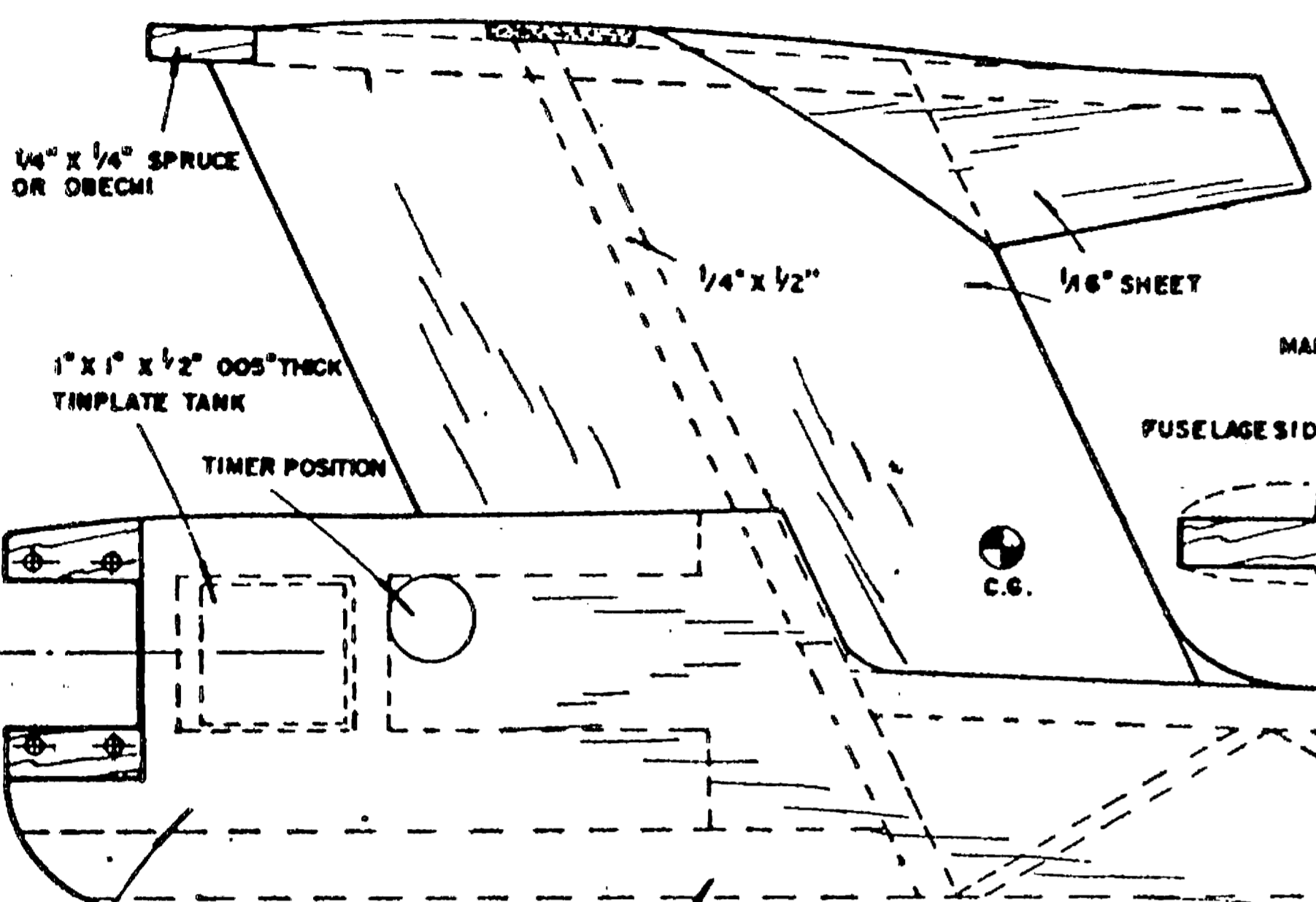


**EUREKA**  
 DESIGNED BY  
**N.G. Marcus**  
 COPYRIGHT OF  
**THE AEROMODELLER PLANS SERVICE**  
 38, CLARENDON RD., WATFORD, HERTS

ALL WOODS ARE Balsa UNLESS OTHERWISE STATED.



COVER CENTRE PANELS OF WING WITH HEAVY MODELSPAN REMAINDER OF MODEL WITH LIGHTWEIGHT MODELSPAN OR JAP TISSUE. GIVE WINGS & TAIL 3 COATS OF CLEAR DOPE SANDING SEAL & COLOUR DOPE FUSELAGE ONE COAT AND FUEL PROOF.  
 WEIGHT: 12 OZ.

**MATERIALS REQUIRED**

2 SHEETS OF 1/16" x 3" x 36"	1 STRIP OF 1/8" x 3/8" x 36"
2 " " " 1/8" " " "	2 STRIPS 1/4" x 1/2" "
8 STRIPS " 1/8" x 1/8" x 36"	6" OF 1/8" x 1/8" SPRUCE
3 " " " 1/8" x 1/4" "	8" " 1/4" x 1/4" "
3 " " " 3/16" x 3/8" "	5" " 3/8" x 2" "
2 " " " 3/16" x 1" " T.E.	3" x 3" OF 1/32" PLY

