

D.H. FOX MOTH

DESIGNED BY

B. Barton

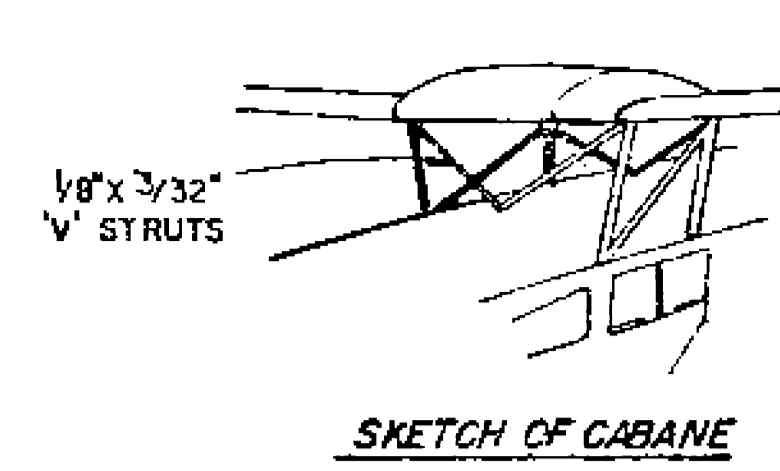
COPYRIGHT OF

4/9

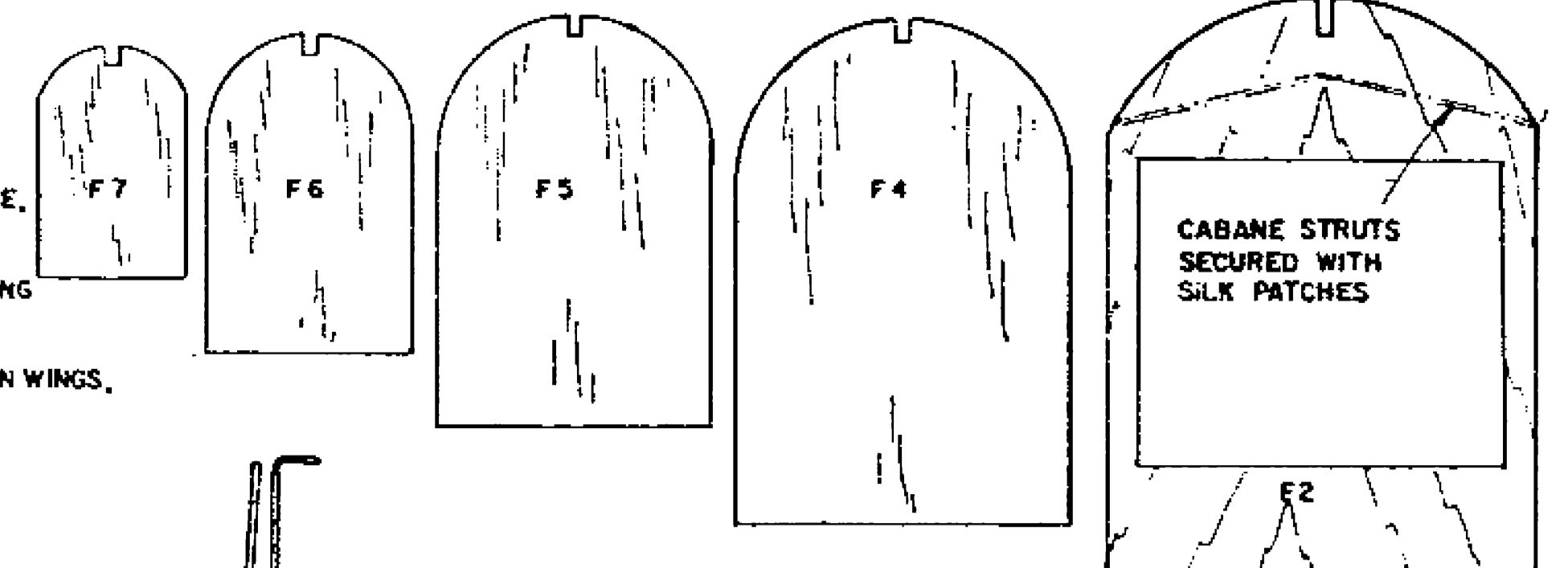
THE AEROMODELLER PLANS SERVICE

38, CLARENDON RD., WATFORD, HERTS.

ALL WOODS ARE Balsa UNLESS OTHERWISE STATED

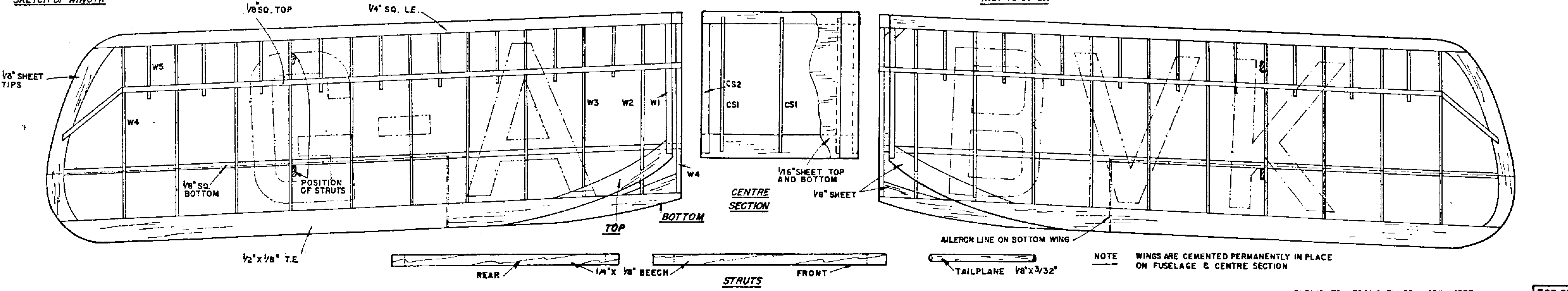
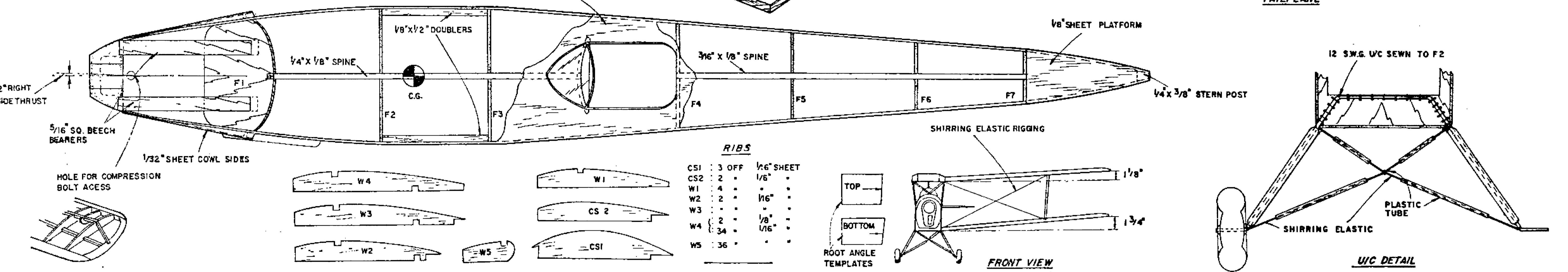
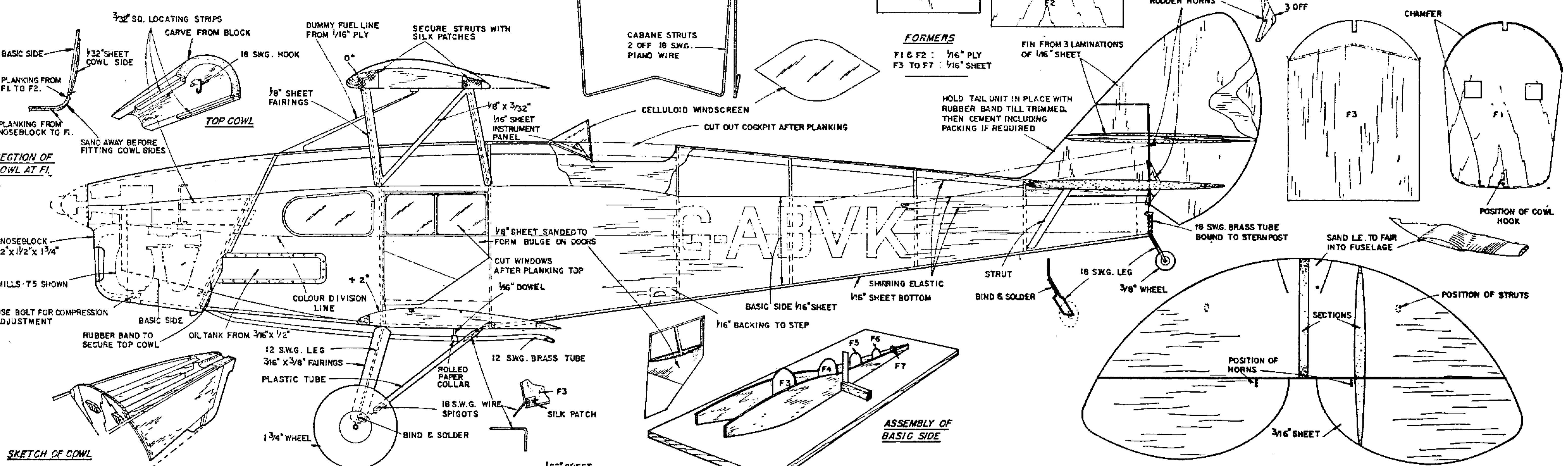


COLOUR SCHEME:
 LOWER PART OF FUSELAGE, CABANE & W/C STRUTS: DARK BLUE.
 FUSELAGE TOP, ALL FLYING SURFACES & STRUTS: PALE BLUE.
 REGISTRATION DK. BLUE ON WINGS, WHITE ON FUSELAGE



MATERIALS REQUIRED

2 STRIPS OF 1/4" SQ X 36" HARD	3'x6" OF 1/16" PLY
2 " " 1/2" x 1/8" " " "	8' OF 5/16" SQ BEECH
4 " " 1/8" 50. " " "	2 LENGTHS OF 18 S.W.G. PIANO WIRE
5 SHEETS OF 1/16" x 3" " " MEDIUM	1 LENGTH " 12 " " "
1 SHEET " 1/8" x 3" " " "	9' OF " " BRASS TUBE
1 " " 3/16" x 3" " " "	18" " NEOPRENE TUBE
1 " " 1/32" x 3" " " "	1 PAIR OF 1 3/4" DIA. WHEELS
1 BLOCK " 1" x 2 3/4" x 4 1/2" " " "	1 " 3/8" DIA. WHEEL
1 " " 1" x 1 3/4" x 2 1/4" " " "	3'x6" OF CELLULOID



FULL SIZE COPIES OF THIS 1/4th SCALE REPRODUCTION ARE AVAILABLE PRICE 4/9 POST FREE FROM AEROMODELLER PLANS SERVICE PLEASE QUOTE PLAN NUMBER FSP 654 WHEN PLACING YOUR ORDER