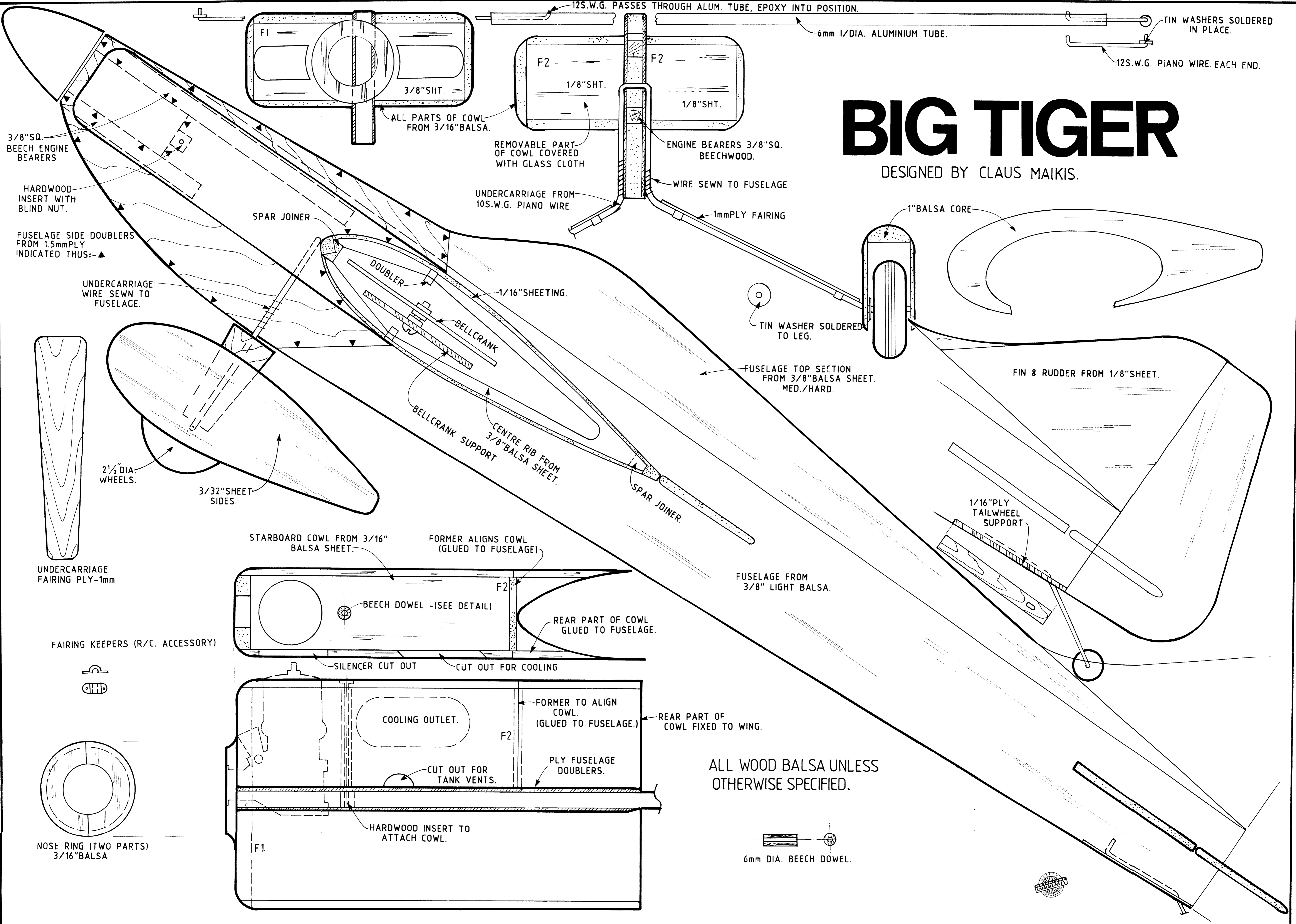


BIG TIGER

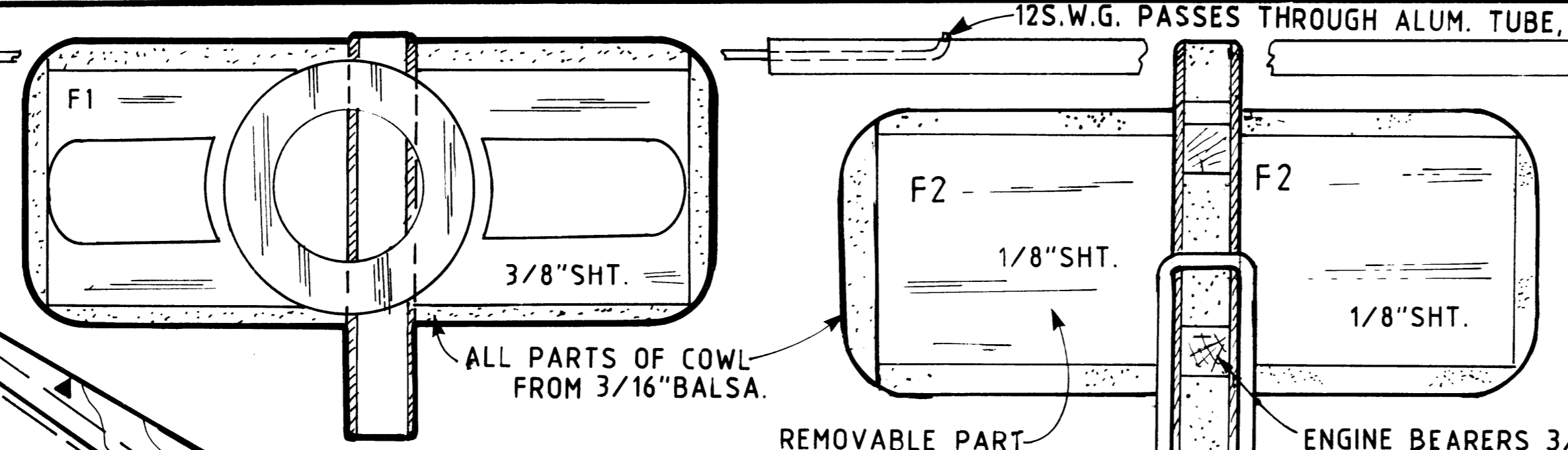
DESIGNED BY CLAUD MAIKIS.



3/8" SQ. BEECH ENGINE BEARERS

HARDWOOD INSERT WITH BLIND NUT.

FUSELAGE SIDE DOUBLERS FROM 1.5mm PLY INDICATED THUS:-▲



UNDERCARRIAGE FROM 10S.W.G. PIANO WIRE.

1mm PLY FAIRING

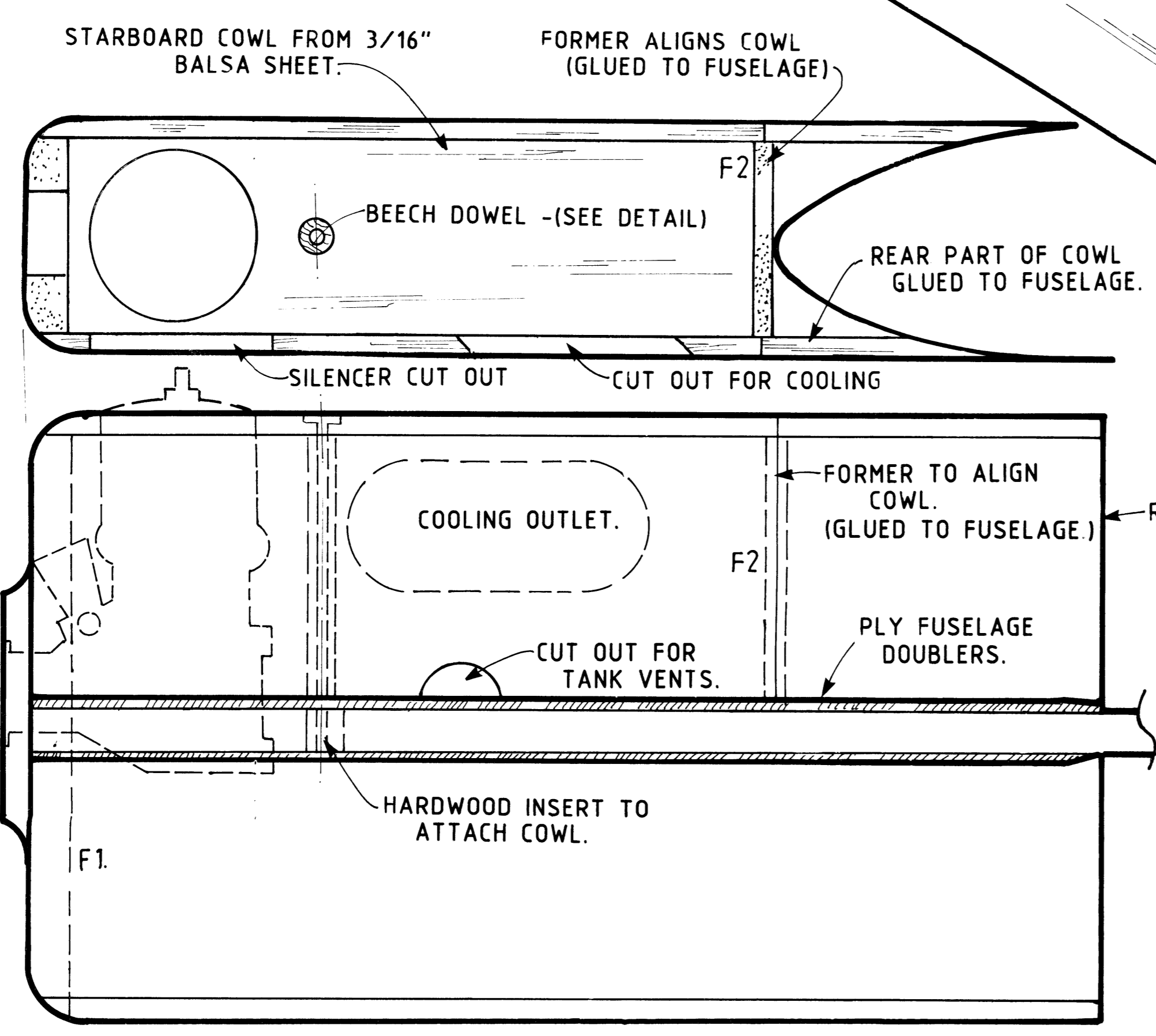
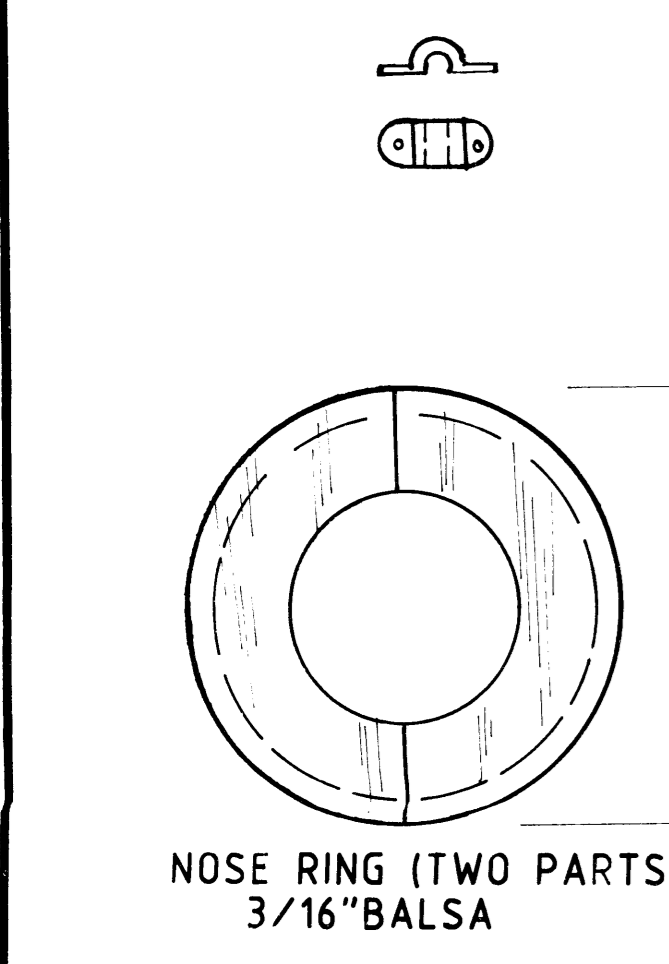
WIRE SEWN TO FUSELAGE

UNDERCARRIAGE WIRE SEWN TO FUSELAGE.



UNDERCARRIAGE FAIRING PLY-1mm

FAIRING KEEPERS (R/C. ACCESSORY)



ALL WOOD Balsa UNLESS OTHERWISE SPECIFIED.

