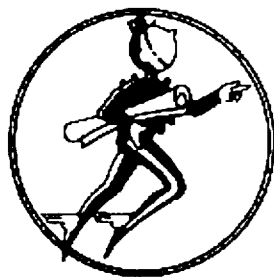
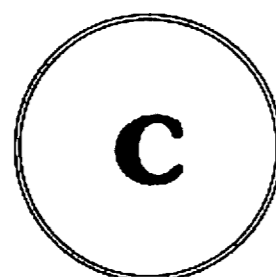
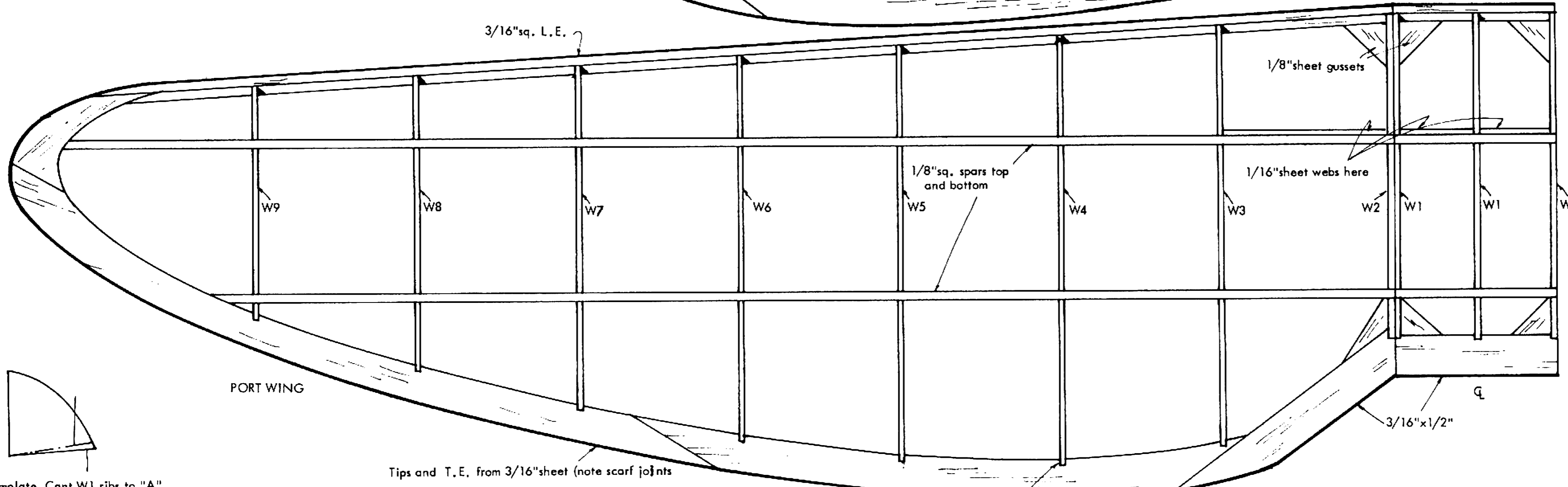
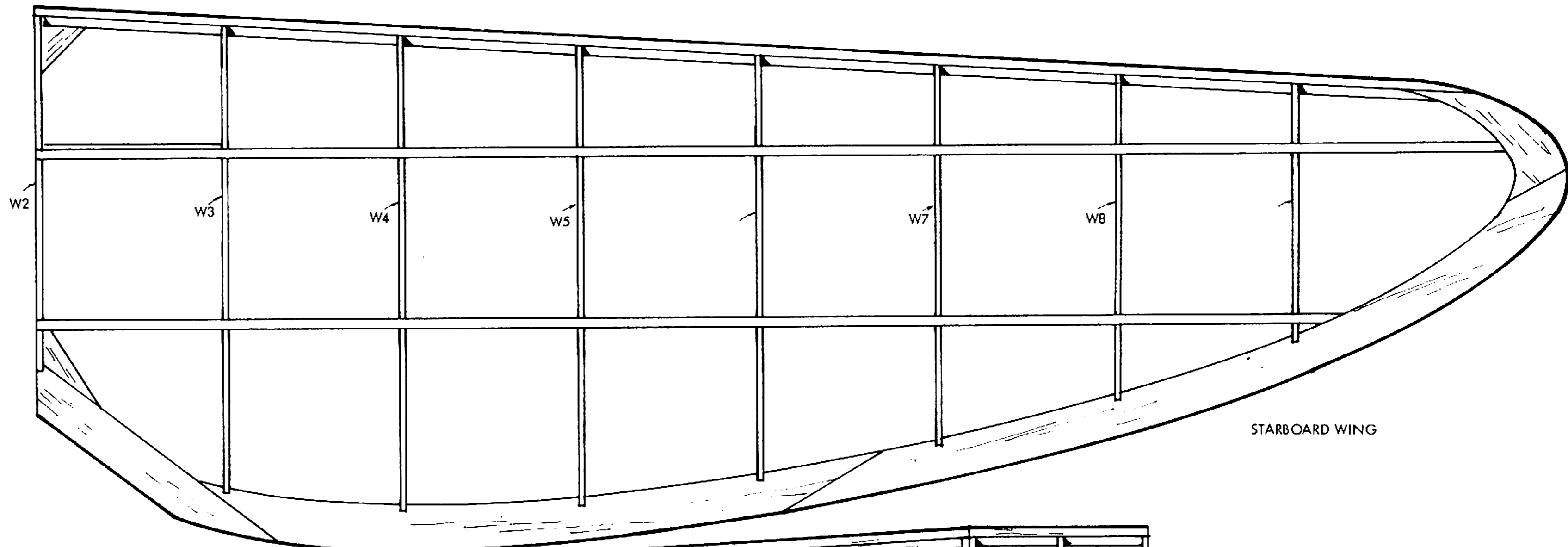


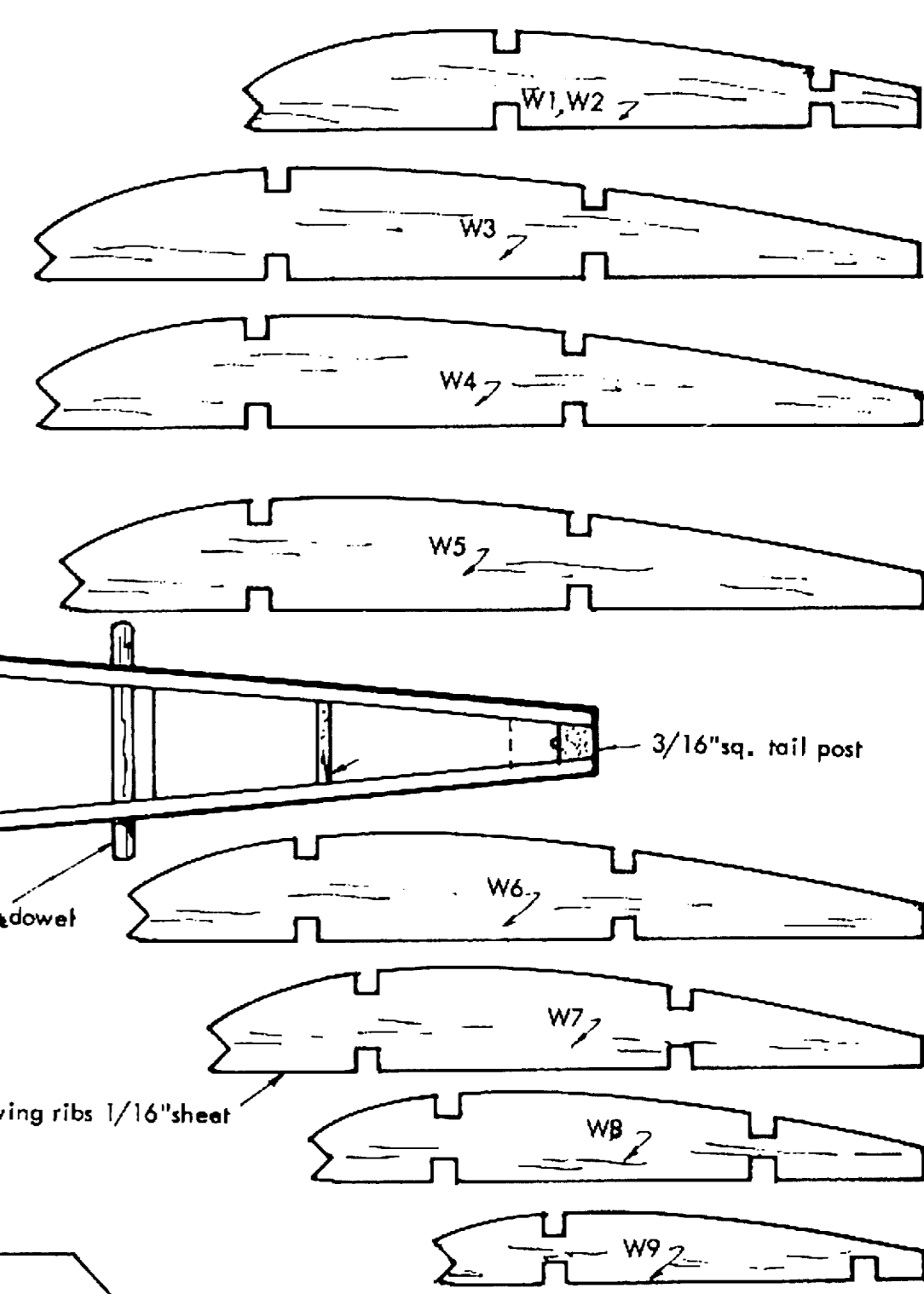
**ASPIS**  
 designed by  
**O.F.W. Fisher**  
 copyright of  
**The Aeromodeller Plans Service**  
 BOX 35 WOLSEY ROAD, HEMEL HEMPSTEAD, HERTS.

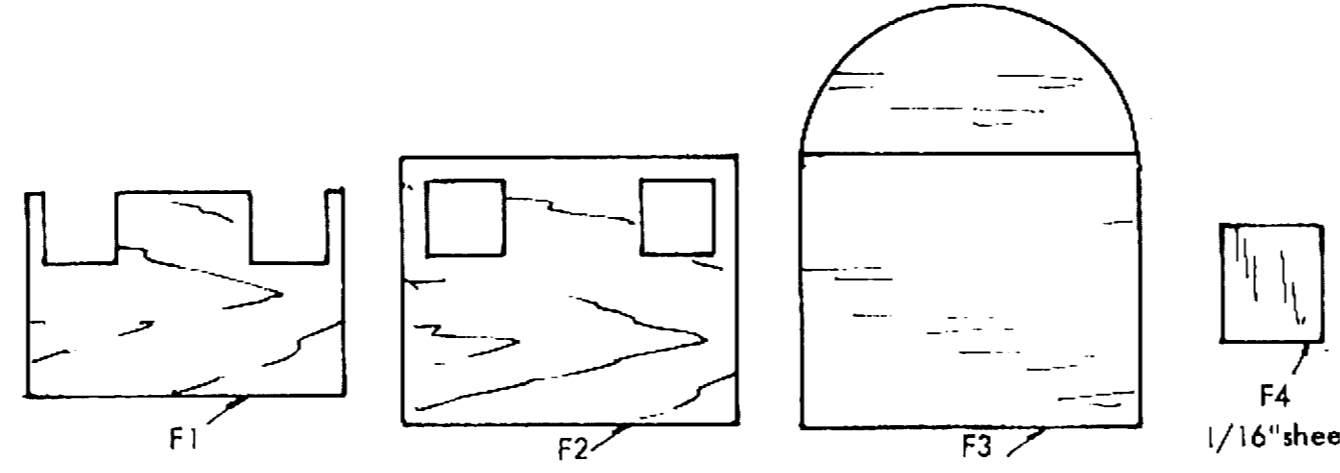
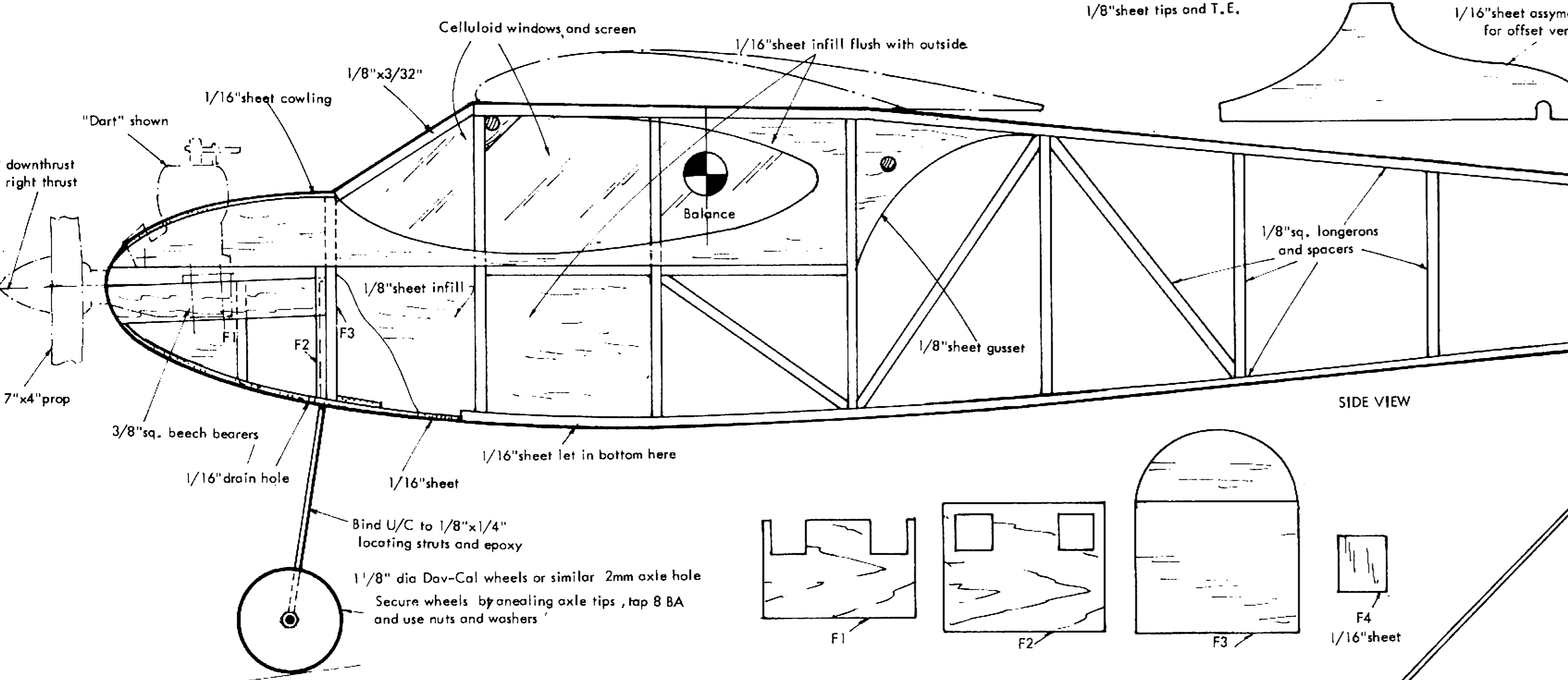
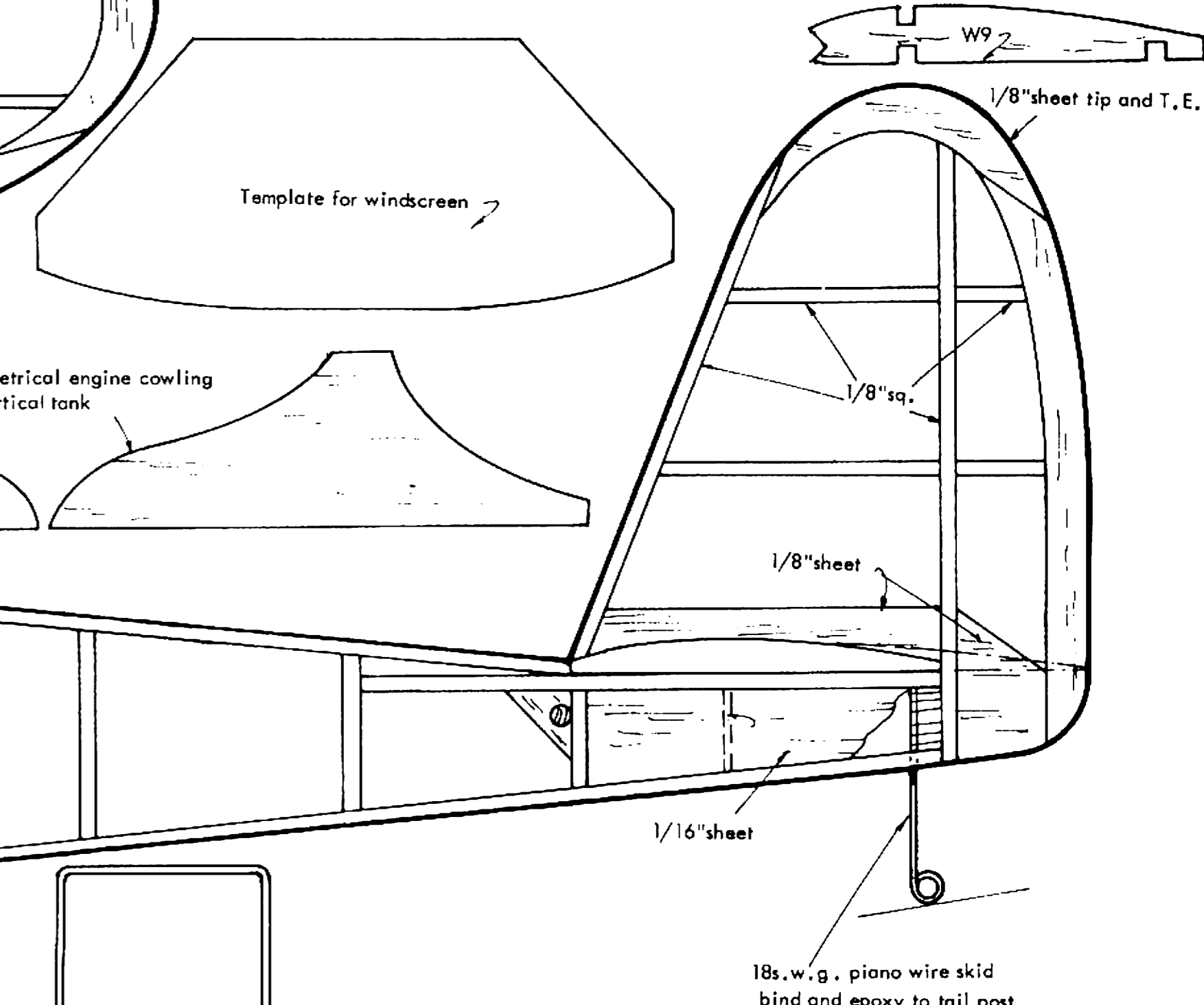
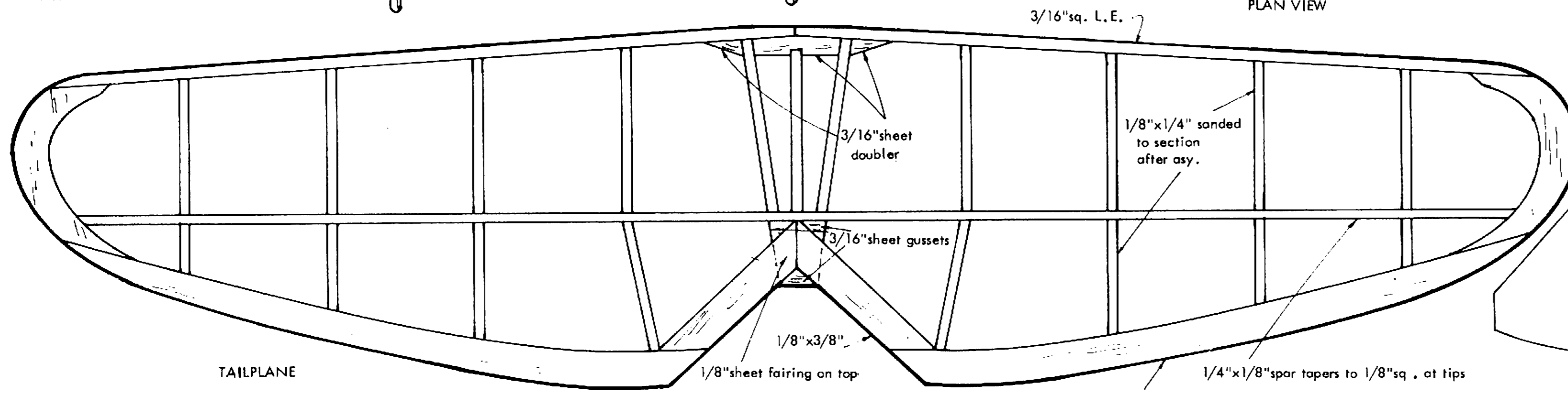
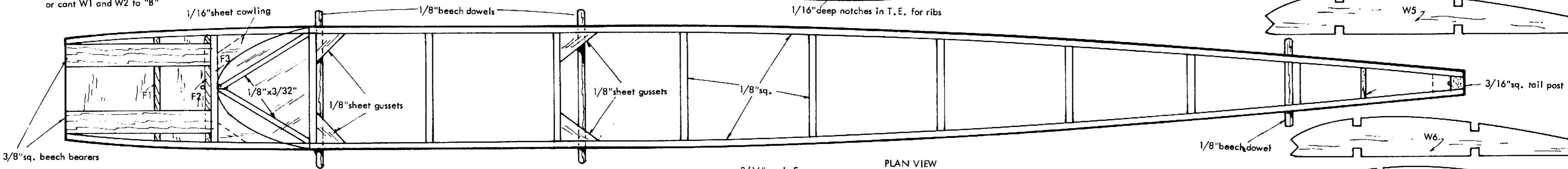
PROTOTYPE WEIGHT (with Dart) 6 1/2 oz.



COVERING Use lightweight Modelspan with 2 coats clear dope + 1 of fuel proofer



Dihedral template Cant W1 ribs to "A" or cant W1 and W2 to "B"



14s. w.g. piano wire undercarriage

18s. w.g. piano wire skid bind and epoxy to tail post