

VERON

SINGLE SEAT MEDIUM PERFORMANCE SAILPLANE

Slingsby Perfect Mk.1.

H.E

30" SPAN.

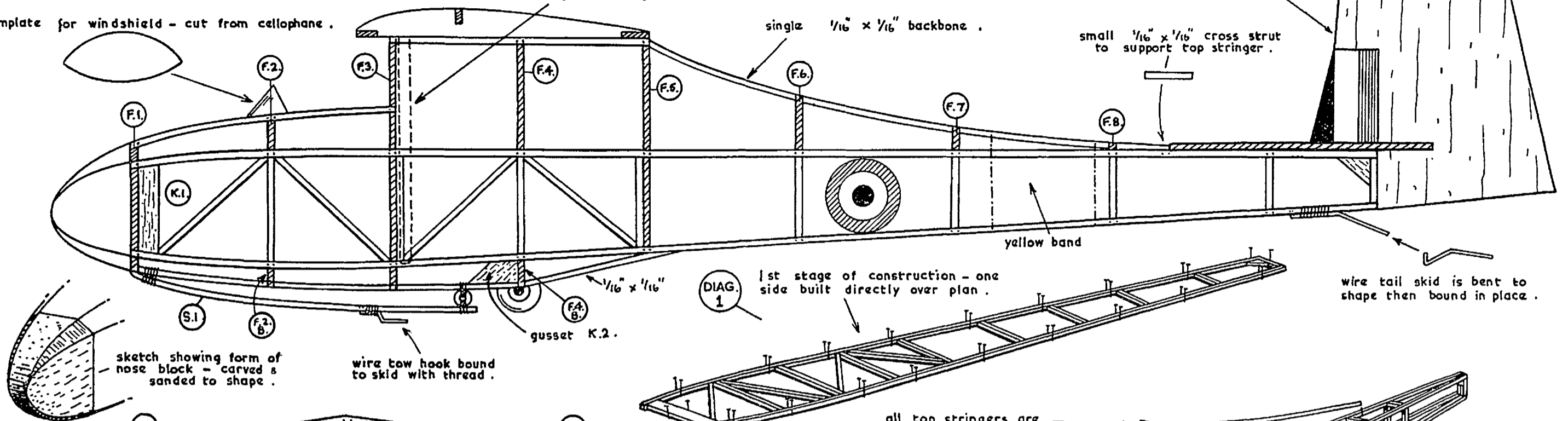
DESIGNED BY PHIL SMITH.

template for windshield - cut from cellophane.

$\frac{1}{16}$ " x $\frac{1}{8}$ " wing strut.

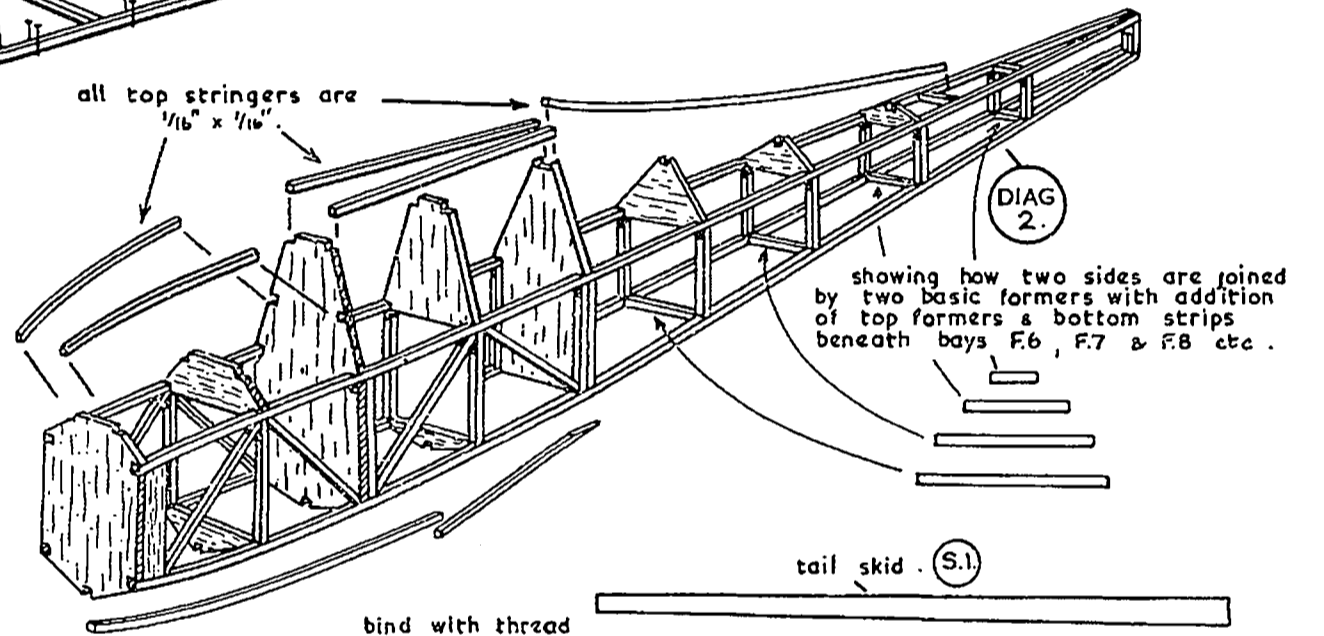
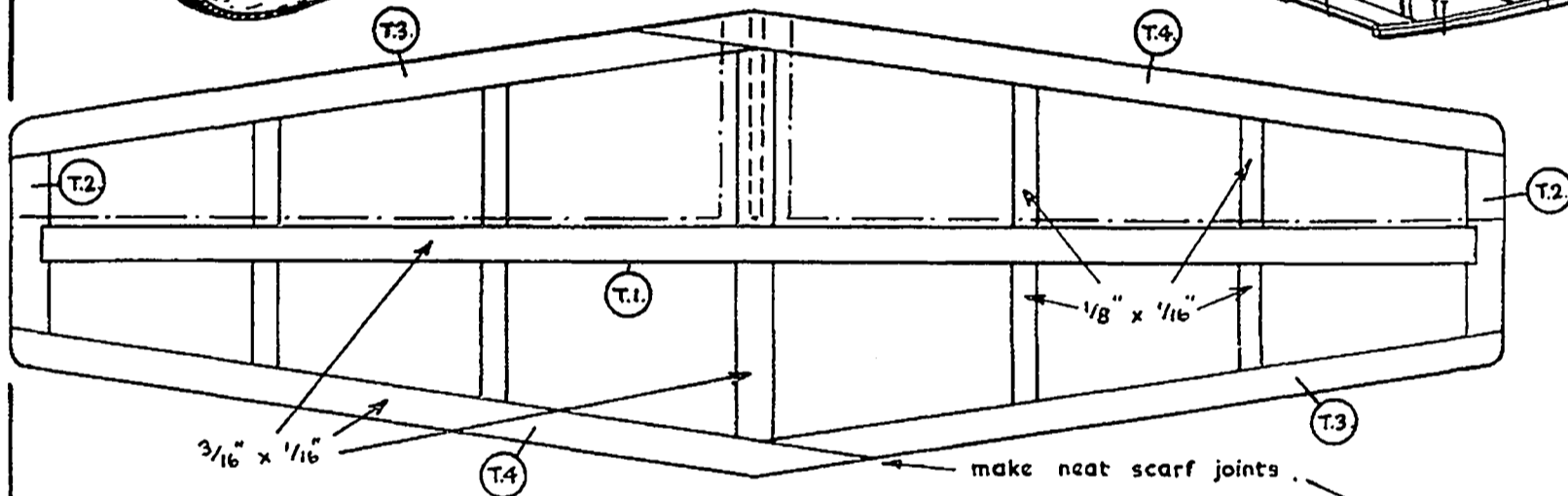
single $\frac{1}{16}$ " x $\frac{1}{16}$ " backbone.

$\frac{1}{16}$ " sheet rudder.
red white & blue vertical fin stripes.
small $\frac{1}{16}$ " x $\frac{1}{16}$ " cross strut to support top stringer.

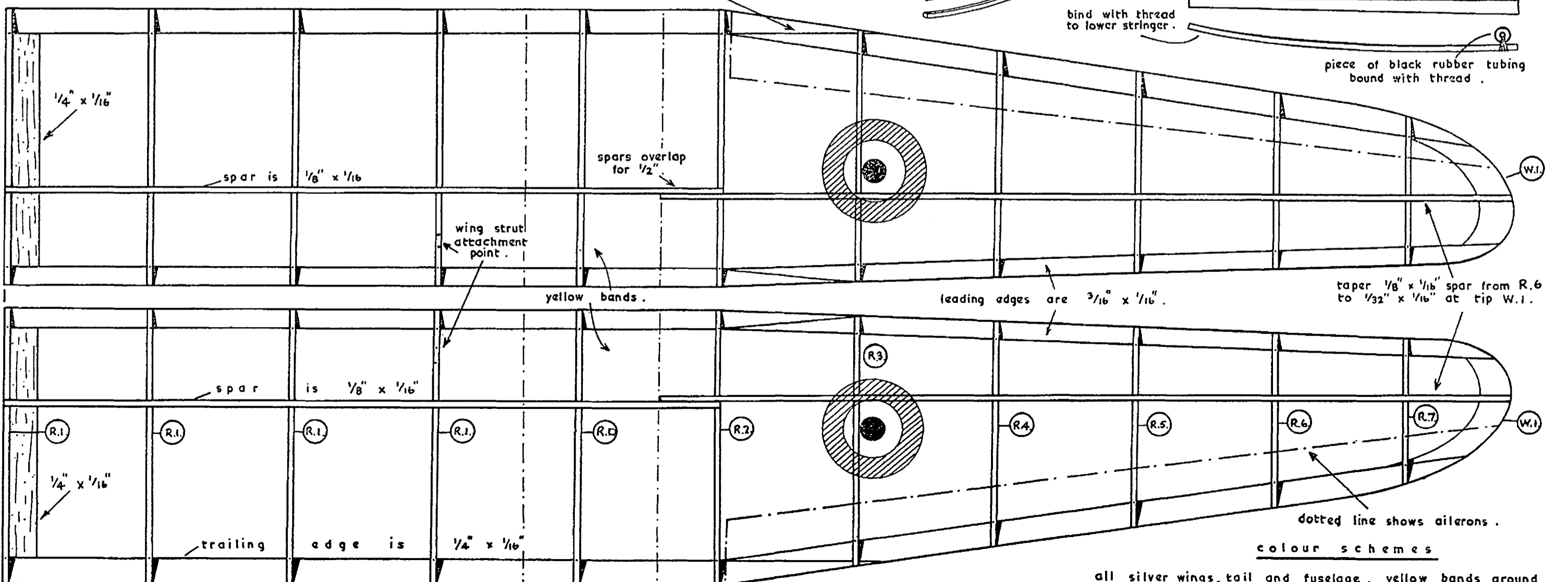


DIAG. 1
1st stage of construction - one side built directly over plan.

wire tail skid is bent to shape then bound in place.



DIAG. 2
showing how two sides are joined by two basic formers with addition of top formers & bottom strips beneath bays F.6, F.7 & F.8 etc.



colour schemes
all silver wings, tail and fuselage. yellow bands around rear fuselage & over wings. roundels on top & bottom of wings. small vertical red white & blue fin flashes.