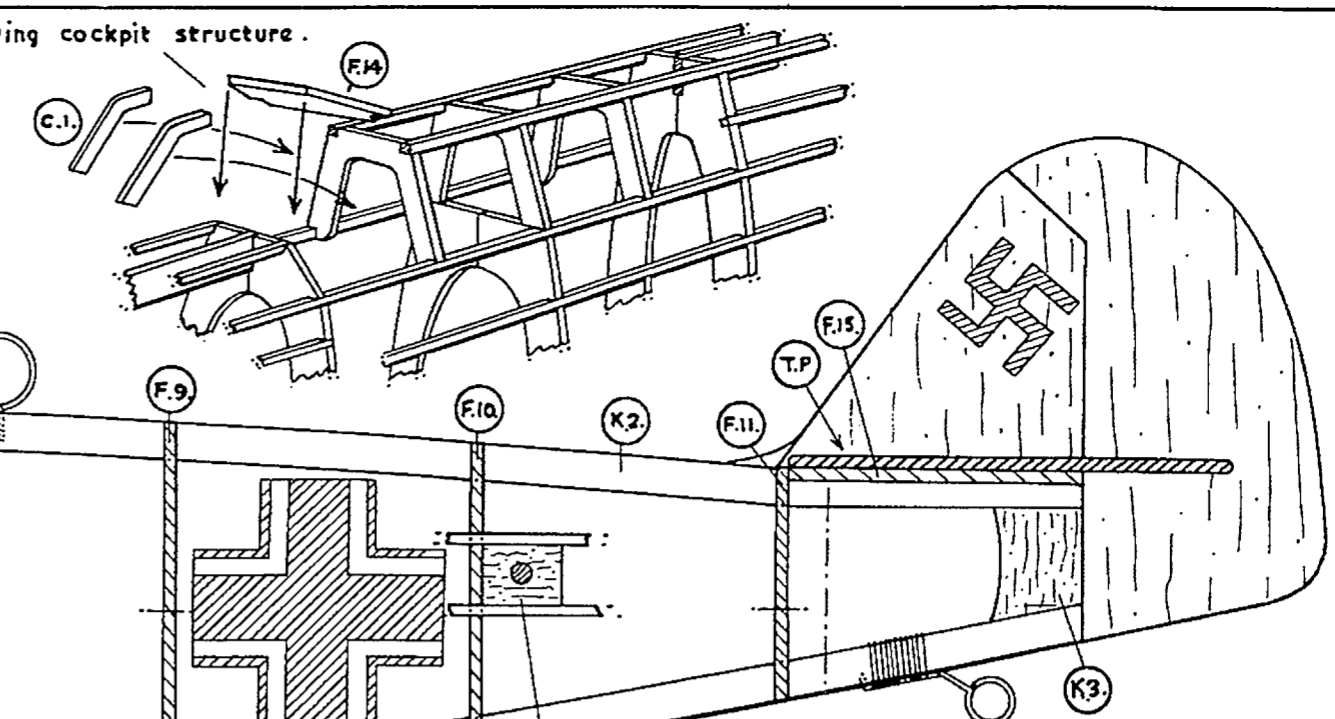


VERON

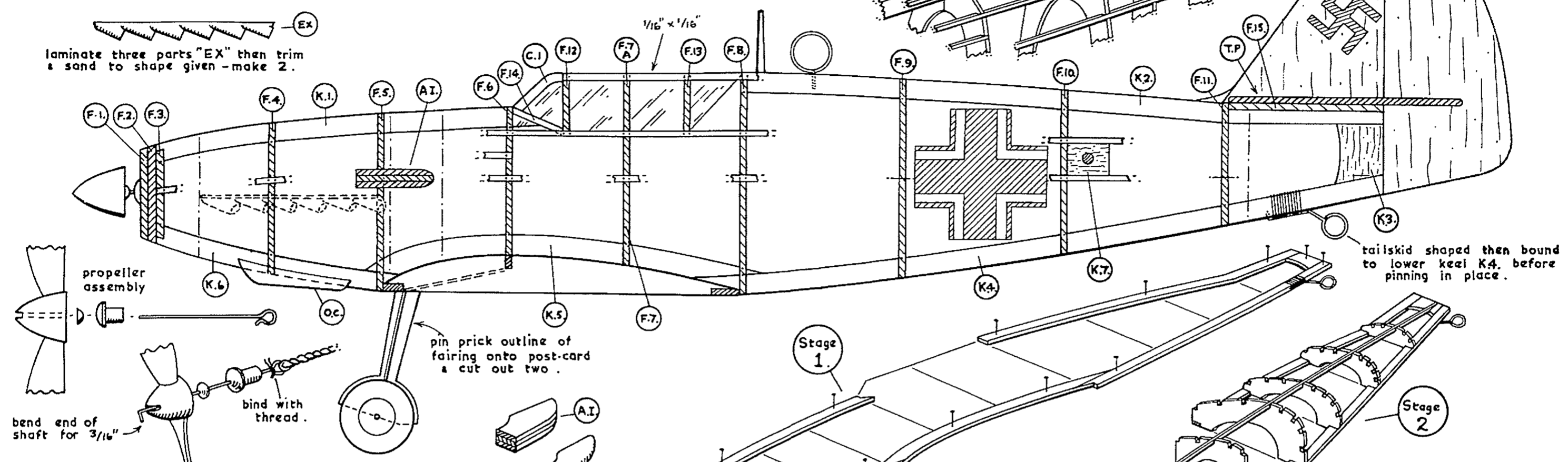
GERMAN 1938/45 FIGHTER Me.109 G.

H.E. 18" SPAN.
DESIGNED BY PHIL SMITH.

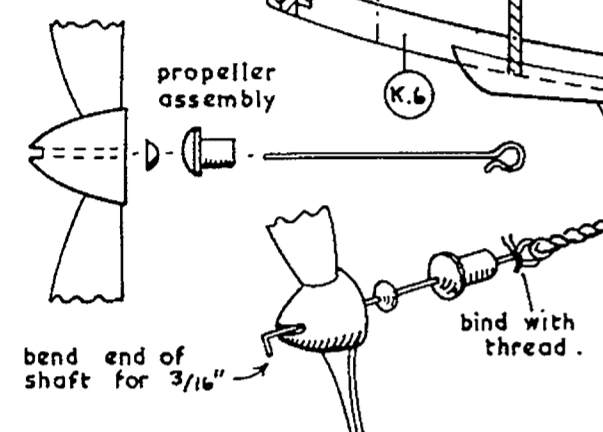
sketch showing cockpit structure.



laminated three parts "EX" then trim a sand to shape given - make 2.



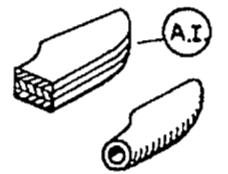
tailskid shaped then bound to lower keel K.4. before pinning in place.



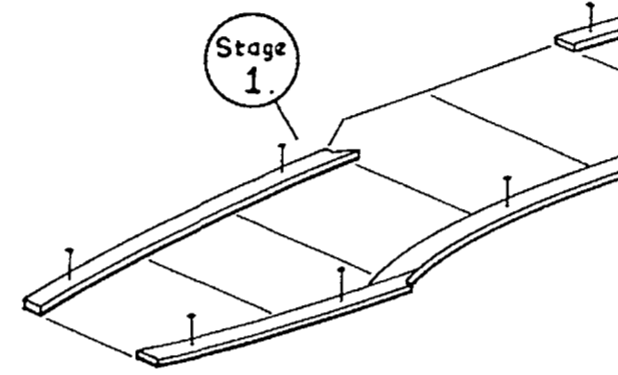
bend end of shaft for 3/16"

bind with thread.

pin prick outline of fairing onto post-card & cut out two.



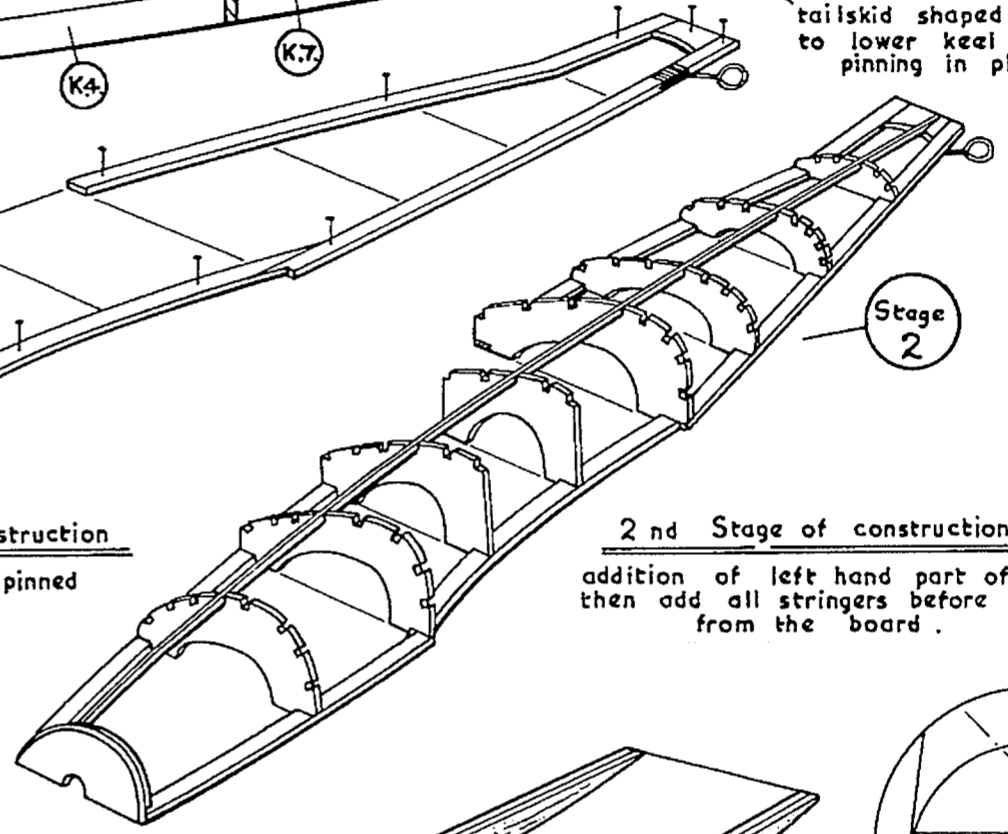
laminated parts A.I. then trim a sand to shape given.



Stage 1

1st Stage of construction

basic keel members are pinned in place.



Stage 2

2nd Stage of construction.

addition of left hand part of formers then add all stringers before raising from the board.

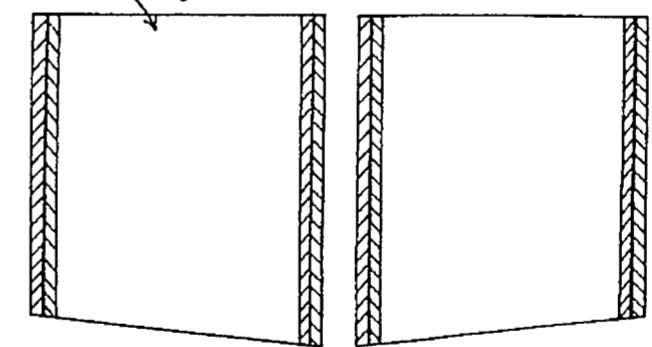
bend wire to shape using front & top views as guides then bind to spar and leading edge with thread.

template for dihedral.

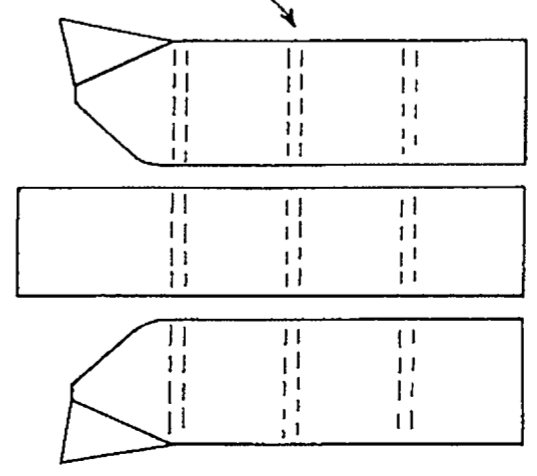
sketch showing make up of oil cooler.

sand edges round.

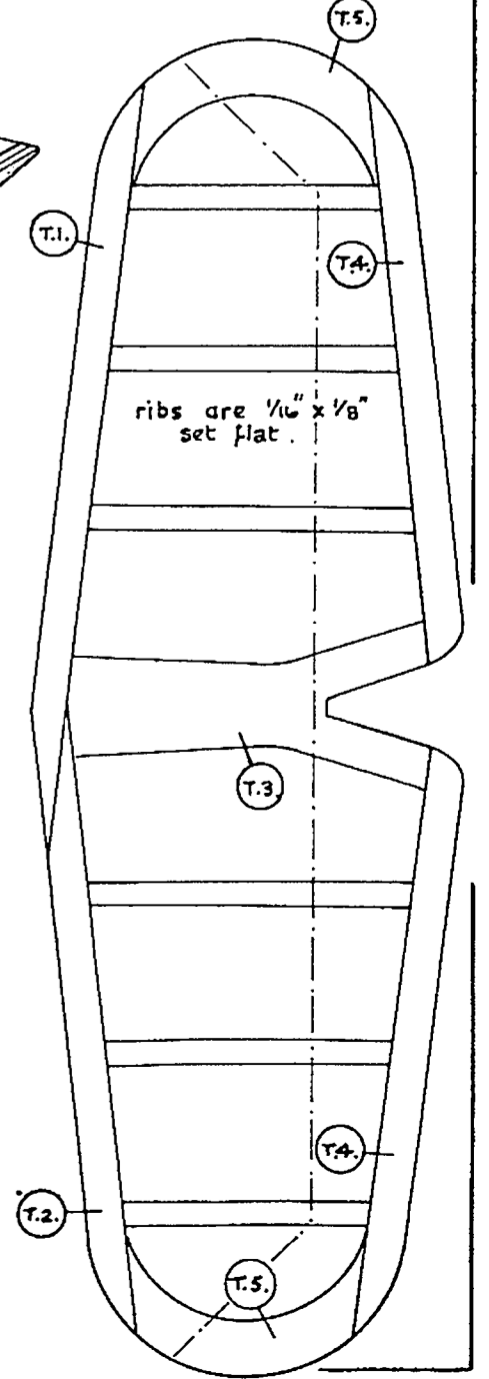
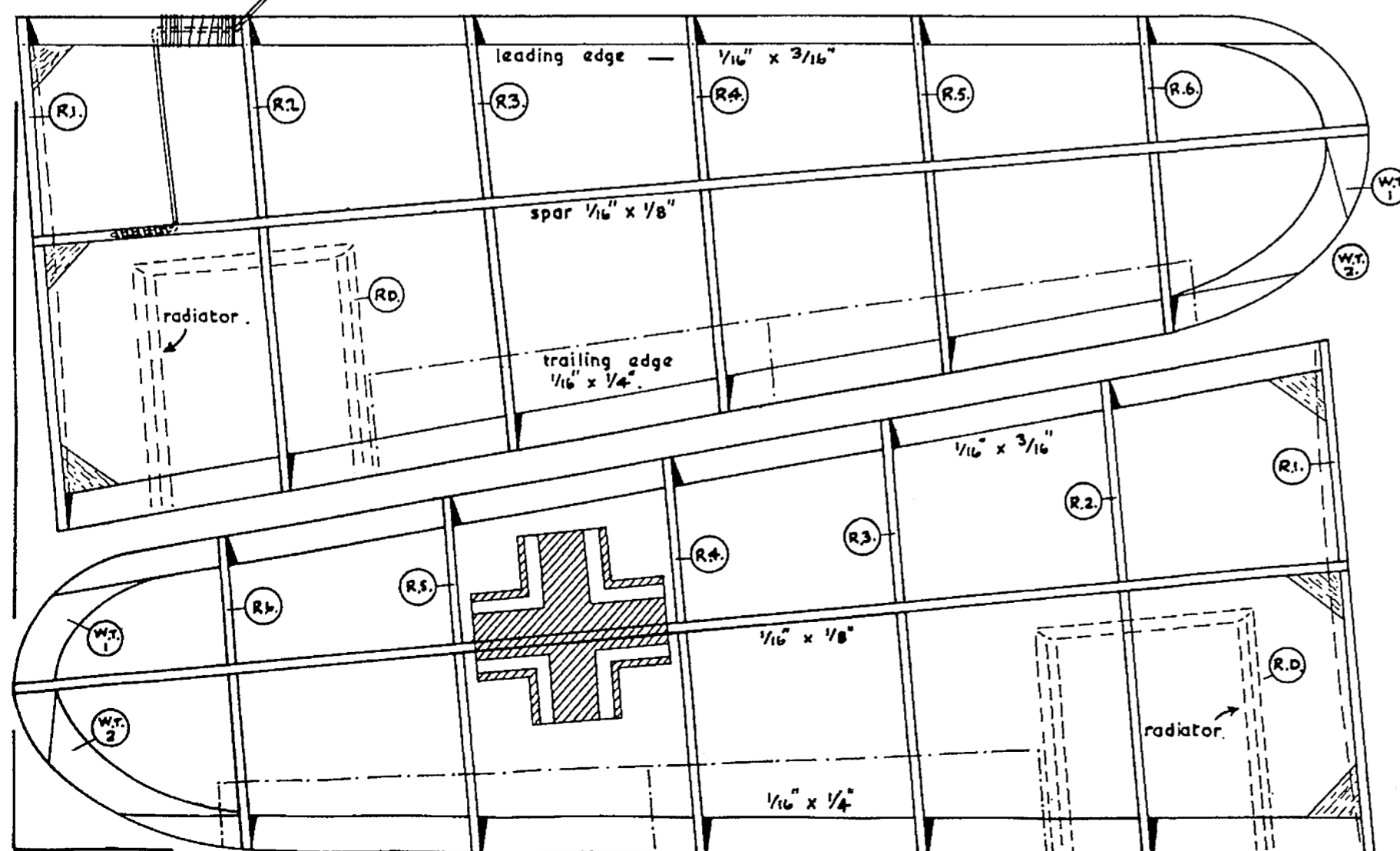
sketch showing make up of underwing radiators - use post-card base to templates given here.



below are given templates for celluloid cockpit covering - pin prick outline and then cut out.



WORLD COPYRIGHT RESERVED.



ribs are 1/16 x 1/8 set flat.

